

# TECHNICAL DATA BOOK R410A

&lt;Indoor unit&gt;

[Model names]

## INVERTER

**PLA-RP-BA/BA2/BA3**
**PEAD-RP-JA(L)**
**PEA-RP-GA**
**PKA-RP-HAL**
**PKA-RP-KAL**
**PCA-RP-KA**
**PCA-RP-HA**
**PSA-RP-GA**

&lt;Outdoor unit&gt;

[Model names]

**PUHZ-P100/125/140VHA3**
**PUHZ-P100/125/140YHA**
**PUHZ-P200/250YHA3**

### CONTENTS

|  |    |
|--|----|
| 1. REFERENCE SERVICE MANUAL.....                 | 2  |
| 2. SPECIFICATIONS.....                           | 3  |
| 3. OUTLINES AND DIMENSIONS.....                  | 15 |
| 4. WIRING DIAGRAM.....                           | 36 |
| 5. REFRIGERANT SYSTEM DIAGRAM.....               | 48 |
| 6. PERFORMANCE CURVES.....                       | 52 |
| 7. CORRECTION FACTORS.....                       | 54 |
| 8. APPLICABLE EXTENSION PIPE FOR EACH MODEL..... | 55 |
| 9. AIR FLOW DATA.....                            | 59 |
| 10. NOISE CRITERION CURVES.....                  | 73 |
| 11. OPTIONAL PARTS.....                          | 87 |

**kW Model**



For information on service, please refer to the service manual as follows.

### 1-1. INDOOR UNIT SERVICE MANUAL

| Model name                                      | Service Ref.   | Service Manual No.               |
|---|--|----------------------------------|
| PLA-RP50/60/71/100/125BA<br>PLA-RP71/125/140BA2 | PLA-RP50/60/71/100/125BA#2.UK<br>PLA-RP71/125/140BA2.UK  | OCH412<br>OCB412                 |
| PLA-RP100BA3                                    | PLA-RP100BA3   | OCH459<br>OCB459                 |
| PCA-RP50/60/71/100/125/140KA                    | PCA-RP50/60/71/100/125/140KA                             | OCH454<br>OCB454                 |
| PCA-RP71/125HA                                  | PCA-RP71/125HA#1   | OC329                            |
| PKA-RP50HAL                                     | PKA-RP50HAL  | OCH453<br>OCB453                 |
| PKA-RP60/71/100KAL                              | PKA-RP60/71/100KAL.TH                                    | OCH452<br>OCB452                 |
| PSA-RP71/100/125/140GA                          | PSA-RP71/100/125/140GA#1                                 | OC332                            |
| PEAD-RP50/60/71/100/125/140JA(L)                | PEAD-RP50/60/71/100/125/140JA(L)(R1).UK                  | HWE08130<br>BWE08240<br>BWE09220 |
| PEA-RP200/250/400/500GA                         | PEA-RP200/250/400/500GA.TH-AF<br>PEA-RP200/250GA.TH-AFMF | HWE0708A                         |

### 1-2. OUTDOOR UNIT

| Model name                                    | Service Ref.  | Service Manual No. |
|---|---|--------------------|
| PUHZ-P100/125/140VHA3<br>PUHZ-P100/125/140YHA | PUHZ-P100/125/140VHA3R2.UK<br>PUHZ-P100/125/140YHA.UK | OCH415<br>OCB415   |
| PUHZ-P200/250YHA3                             | PUHZ-P200/250YHA3R1                                   | OCH424<br>OCB424   |

## 2-1. CEILING CASSETTE TYPE

| Model name              | Indoor unit                              | PLA-RP100BA  | PLA-RP100BA3               | PLA-RP125BA  | PLA-RP125BA2     | PLA-RP140BA2     |                   |             |
|-------------------------|--|--|----------------------------|--|------------------|------------------|-------------------|-------------|
|                         | Outdoor unit                             | PUHZ-P100VHA3  | PUHZ-P100VHA3              | PUHZ-P125VHA3                                      | PUHZ-P125VHA3    | PUHZ-P140VHA3    |                   |             |
| Cooling                 | Capacity                                 | Btu/h  | 32,100                     | 32,100   | 42,000           | 42,000           | 46,400            |             |
|                         |  | kW   | 9.4 (4.9-11.2)             | 9.4 (4.9-11.2)                                     | 12.3 (5.5-14.0)  | 12.3 (5.5-14.0)  | 13.6 (5.5-15.0)   |             |
|                         | Total input                              | kW   | 3.12                       | 3.12   | 4.09             | 4.09             | 5.21              |             |
|                         | EER                                      |  | 3.01                       | 3.01   | 3.01             | 3.01             | 2.61              |             |
|                         | Energy label class                       |  | B                          | -  | B                | -                | D                 |             |
|                         | SHF                                      |  | 0.74                       | 0.74   | 0.71             | 0.71             | 0.71              |             |
| Heating                 | Capacity                                 | Btu/h  | 38,200                     | 38,200   | 47,800           | 47,800           | 54,600            |             |
|                         |  | kW   | 11.2 (4.5-12.5)            | 11.2 (4.5-12.5)                                    | 14.0 (5.0-16.0)  | 14.0 (5.0-16.0)  | 16.0 (5.0-18.0)   |             |
|                         | Total input                              | kW   | 3.28                       | 3.22   | 4.11             | 4.02             | 4.98              |             |
|                         | COP                                      |  | 3.41                       | 3.48   | 3.41             | 3.48             | 3.21              |             |
|                         | Energy label class                       |  | B                          | -  | B                | -                | C                 |             |
|                         | Booster heater                           | kW   | -                          | -  | -                | -                | -                 |             |
| Power supply            | Phase                                    | $\phi$   | 1                          |  |                  |                  |                   |             |
|                         | Cycle                                    | Hz   | 50                         |  |                  |                  |                   |             |
|                         | Voltage                                  | V  | 230                        |  |                  |                  |                   |             |
|                         | Breaker size                             | A  | 32                         |  |                  | 40               |                   |             |
| Indoor unit             | Air flow                                 | CMM  | 20-23-26-30                | 20-23-26-30  | 22-25-28-31      | 22-25-28-31      | 24-26-29-32       |             |
|                         |  | (Low-Medium2-Medium1-High)<br>CFM                              | 710-810-920-1060           | 710-810-920-1060                                   | 780-880-990-1090 | 780-880-990-1090 | 850-920-1020-1130 |             |
|                         | External pressure                        | Pa   | 0                          | 0  | 0                | 0                | 0                 |             |
|                         | Sound level                              | dB(A)  | (Low-Medium2-Medium1-High) | 32-34-37-40  | 32-34-37-40      | 34-36-39-41      | 34-36-39-41       | 36-39-42-44 |
|                         |  |  |                            | External finish (Panel) White Munsell 6.4Y 8.9/0.4 |                  |                  |                   |             |
|                         | Dimension<br>Unit (Panel)                | W : mm<br>D : mm<br>H : mm<br>W : inch<br>D : inch<br>H : inch | 840 (950)                  |  |                  |                  |                   |             |
|                         |  |  | 840 (950)                  |  |                  |                  |                   |             |
|                         |  |  | 298 (35)                   |  |                  |                  |                   |             |
|                         |  |  | 33-1/16 (37-3/8)           |  |                  |                  |                   |             |
|                         |  |  | 33-1/16 (37-3/8)           |  |                  |                  |                   |             |
|                         |  |  | 11-3/4 (1-3/8)             |  |                  |                  |                   |             |
|                         | Weight<br>Unit (Panel)                   | kg<br>lbs  | 25 (6)                     | 26 (6)   | 25 (6)           | 27 (6)           | 27 (6)            |             |
|                         |  |  | 55 (13)                    | 57 (13)  | 55 (13)          | 60 (13)          | 60 (13)           |             |
| Field drain pipe O.D.   | mm<br>inch                               | 32   |                            |  |                  |                  |                   |             |
|                         |  | 1-1/4  |                            |  |                  |                  |                   |             |
| Outdoor unit            | Air flow                                 | CMM  | 60                         |  | 100              |                  |                   |             |
|                         |  | CFM  | 2,120                      |  | 3,530            |                  |                   |             |
|                         | Sound level at cooling                   | dB(A)  | 50                         | 50   | 51               | 51               | 52                |             |
|                         | Sound level at heating                   | dB(A)  | 54                         | 54   | 55               | 55               | 56                |             |
|                         | External finish Ivory Munsell 3Y 7.8/1.1 |  |                            |  |                  |                  |                   |             |
|                         | Dimension                                | W : mm<br>D : mm<br>H : mm<br>W : inch<br>D : inch<br>H : inch | 950                        |  |                  |                  |                   |             |
|                         |  |  | 330+30                     |  |                  |                  |                   |             |
|                         |  |  | 943                        |  | 1350             |                  |                   |             |
|                         |  |  | 37-3/8                     |  |                  |                  |                   |             |
|                         |  |  | 13 + 1-3/16                |  |                  |                  |                   |             |
|                         |  |  | 37-1/8                     |  | 53-1/8           |                  |                   |             |
| Weight                  | kg<br>lbs                                | 75   |                            | 99   |                  |                  |                   |             |
|                         |  | 165  |                            | 218  |                  |                  |                   |             |
| Refrigerant pipe size   | Gas side O.D.                            | mm   | 15.88                      |  |                  |                  |                   |             |
|                         |  | inch   | 5/8                        |  |                  |                  |                   |             |
|                         | Liquid side O.D.                         | mm   | 9.52                       |  |                  |                  |                   |             |
|                         |  | inch   | 3/8                        |  |                  |                  |                   |             |
| Refrigerant pipe length | Height difference                        | m  | Max. 30                    |  |                  |                  |                   |             |
|                         | Length                                   | m  | Max. 50                    |  |                  |                  |                   |             |

- NOTE:**
- Rating conditions (ISO T1)  
Cooling Indoor : D.B. 27°C (80°F) W.B. 19°C (66°F) Outdoor : D.B. 35°C (95°F) W.B. 24°C (75°F)  
Heating Indoor : D.B. 20°C (68°F) Outdoor : D.B. 7°C (45°F) W.B. 6°C (43°F)  
Refrigerant piping length (one way) : 5m (16ft.)
  - Guaranteed operating range

|         |             | Indoor                 | Outdoor                |
|---------|-------------|------------------------|------------------------|
| Cooling | Upper limit | D.B. 35°C, W.B. 22.5°C | D.B. 46°C              |
|         | Lower limit | D.B. 19°C, W.B. 15°C   | D.B. -5°C *            |
| Heating | Upper limit | D.B. 28°C              | D.B. 21°C, W.B. 15°C   |
|         | Lower limit | D.B. 17°C              | D.B. -15°C, W.B. -15°C |

- Guaranteed voltage  
198~264V, 50Hz

- Above data are based on the indicated voltage.  
Indoor unit Single phase 230V 50Hz  
Outdoor unit Single phase 230V 50Hz  
\* If optional air protect guide is installed : D.B. -15°C



| Model name              | Indoor unit               | PLA-RP100BA                       | PLA-RP100BA3               | PLA-RP125BA      | PLA-RP125BA2     | PLA-RP140BA2     |                   |
|-------------------------|---------------------------|-----------------------------------|----------------------------|------------------|------------------|------------------|-------------------|
|                         | Outdoor unit              | PUHZ-P100YHA                      | PUHZ-P100YHA               | PUHZ-P125YHA     | PUHZ-P125YHA     | PUHZ-P140YHA     |                   |
| Cooling                 | Capacity                  | Btu/h                             | 32,100                     | 32,100           | 42,000           | 42,000           | 46,400            |
|                         |                           | kW                                | 9.4 (4.9-11.2)             | 9.4 (4.9-11.2)   | 12.3 (5.5-14.0)  | 12.3 (5.5-14.0)  | 13.6 (5.5-15.0)   |
|                         | Total input               | kW                                | 3.12                       | 3.12             | 4.09             | 4.09             | 5.21              |
|                         | EER                       |                                   | 3.01                       | 3.01             | 3.01             | 3.01             | 2.61              |
|                         | Energy label class        |                                   | B                          | -                | B                | -                | D                 |
|                         | SHF                       |                                   | 0.74                       | 0.74             | 0.71             | 0.71             | 0.71              |
| Heating                 | Capacity                  | Btu/h                             | 38,200                     | 38,200           | 47,800           | 47,800           | 54,600            |
|                         |                           | kW                                | 11.2 (4.5-12.5)            | 11.2 (4.5-12.5)  | 14.0 (5.0-16.0)  | 14.0 (5.0-16.0)  | 16.0 (5.0-18.0)   |
|                         | Total input               | kW                                | 3.28                       | 3.22             | 4.11             | 4.02             | 4.98              |
|                         | COP                       |                                   | 3.41                       | 3.48             | 3.41             | 3.48             | 3.21              |
|                         | Energy label class        |                                   | B                          | -                | B                | -                | C                 |
|                         | Booster heater            | kW                                | -                          | -                | -                | -                | -                 |
| Power supply            | Phase                     | φ                                 | 3                          |                  |                  |                  |                   |
|                         | Cycle                     | Hz                                | 50                         |                  |                  |                  |                   |
|                         | Voltage                   | V                                 | 400                        |                  |                  |                  |                   |
|                         | Breaker size              | A                                 | 16                         |                  |                  |                  |                   |
| Indoor unit             | Air flow                  | CMM                               | 20-23-26-30                | 20-23-26-30      | 22-25-28-31      | 22-25-28-31      | 24-26-29-32       |
|                         |                           | (Low-Medium2-Medium1-High)<br>CFM | 710-810-920-1060           | 710-810-920-1060 | 780-880-990-1090 | 780-880-990-1090 | 850-920-1020-1130 |
|                         | External pressure         | Pa                                | 0                          | 0                | 0                | 0                | 0                 |
|                         | Sound level               | dB(A)                             | 32-34-37-40                | 32-34-37-40      | 34-36-39-41      | 34-36-39-41      | 36-39-42-44       |
|                         |                           | (Low-Medium2-Medium1-High)        |                            |                  |                  |                  |                   |
|                         | External finish (Panel)   |                                   | White Munsell 6.4Y 8.9/0.4 |                  |                  |                  |                   |
|                         | Dimension<br>Unit (Panel) | W : mm                            | 840 (950)                  |                  |                  |                  |                   |
|                         |                           | D : mm                            | 840 (950)                  |                  |                  |                  |                   |
|                         |                           | H : mm                            | 298 (35)                   |                  |                  |                  |                   |
|                         |                           | W : inch                          | 33-1/16 (37-3/8)           |                  |                  |                  |                   |
|                         |                           | D : inch                          | 33-1/16 (37-3/8)           |                  |                  |                  |                   |
|                         |                           | H : inch                          | 11-3/4 (1-3/8)             |                  |                  |                  |                   |
|                         | Weight<br>Unit (Panel)    | kg                                | 25 (6)                     | 26 (6)           | 25 (6)           | 27 (6)           | 27 (6)            |
|                         |                           | lbs                               | 55 (13)                    | 57 (13)          | 55 (13)          | 60 (13)          | 60 (13)           |
| Field drain pipe O.D.   | mm                        | 32                                |                            |                  |                  |                  |                   |
|                         | inch                      | 1-1/4                             |                            |                  |                  |                  |                   |
| Outdoor unit            | Air flow                  | CMM                               | 60                         |                  | 100              |                  |                   |
|                         |                           | CFM                               | 2,120                      |                  | 3,530            |                  |                   |
|                         | Sound level at cooling    | dB(A)                             | 50                         | 50               | 51               | 51               | 52                |
|                         |                           | dB(A)                             | 54                         | 54               | 55               | 55               | 56                |
|                         | Sound level at heating    | dB(A)                             | 54                         | 54               | 55               | 55               | 56                |
|                         |                           | dB(A)                             | 54                         | 54               | 55               | 55               | 56                |
|                         | External finish           |                                   | Ivory Munsell 3Y 7.8/1.1   |                  |                  |                  |                   |
|                         | Dimension                 | W : mm                            | 950                        |                  |                  |                  |                   |
|                         |                           | D : mm                            | 330+30                     |                  |                  |                  |                   |
|                         |                           | H : mm                            | 943                        | 1350             |                  |                  |                   |
|                         |                           | W : inch                          | 37-3/8                     |                  |                  |                  |                   |
| D : inch                |                           | 13 + 1-3/16                       |                            |                  |                  |                  |                   |
| H : inch                |                           | 37-1/8                            | 53-1/8                     |                  |                  |                  |                   |
| Weight                  | kg                        | 77                                |                            | 101              |                  |                  |                   |
|                         | lbs                       | 169                               |                            | 222              |                  |                  |                   |
| Refrigerant pipe size   | Gas side O.D.             | mm                                | 15.88                      |                  |                  |                  |                   |
|                         |                           | inch                              | 5/8                        |                  |                  |                  |                   |
|                         | Liquid side O.D.          | mm                                | 9.52                       |                  |                  |                  |                   |
|                         |                           | inch                              | 3/8                        |                  |                  |                  |                   |
| Refrigerant pipe length | Height difference         | m                                 | Max. 30                    |                  |                  |                  |                   |
|                         | Length                    | m                                 | Max. 50                    |                  |                  |                  |                   |

**NOTE:** 1. Rating conditions (ISO T1)  
Cooling Indoor : D.B. 27°C (80°F) W.B. 19°C (66°F) Outdoor : D.B. 35°C (95°F) W.B. 24°C (75°F)  
Heating Indoor : D.B. 20°C (68°F) Outdoor : D.B. 7°C (45°F) W.B. 6°C (43°F)  
Refrigerant piping length (one way) : 5m (16ft.)

2. Guaranteed operating range

|         |             | Indoor                 | Outdoor                |
|---------|-------------|------------------------|------------------------|
| Cooling | Upper limit | D.B. 35°C, W.B. 22.5°C | D.B. 46°C              |
|         | Lower limit | D.B. 19°C, W.B. 15°C   | D.B. -5°C *            |
| Heating | Upper limit | D.B. 28°C              | D.B. 21°C, W.B. 15°C   |
|         | Lower limit | D.B. 17°C              | D.B. -15°C, W.B. -15°C |

3. Guaranteed voltage

Indoor unit 198~264V, 50Hz  
Outdoor unit 342~457V, 50Hz

4. Above data are based on the indicated voltage.

Indoor unit Single phase 230V 50Hz

Outdoor unit 3 phase 400V 50Hz

\* If optional air protect guide installed. D.B.-15°C

## 2-2. CEILING-CONCEALED TYPE

| Model name                    | Indoor unit            |                            | PEAD-RP100JA(L)          | PEAD-RP125JA(L) | PEAD-RP140JA(L)  |
|-------------------------------|------------------------|----------------------------|--------------------------|-----------------|------------------|
|                               | Outdoor unit           |                            | PUHZ-P100VHA3            | PUHZ-P125VHA3   | PUHZ-P140VHA3    |
| Cooling                       | Capacity               | Btu/h                      | 32,100                   | 42,000          | 46,400           |
|                               |                        | kW                         | 9.4 (4.9-11.2)           | 12.3 (5.5-14.0) | 13.6 (5.5-15.0)  |
|                               | Total input            | kW                         | 3.04 (3.02)              | 4.22 (4.20)     | 4.52 (4.50)      |
|                               | EER                    |                            | 3.09 (3.11)              | 2.91 (2.93)     | 3.01 (3.02)      |
|                               | Energy label class     |                            | B                        | C               | B                |
|                               | SHF                    |                            | 0.85                     | 0.85            | 0.84             |
| Heating                       | Capacity               | Btu/h                      | 38,200                   | 47,800          | 54,600           |
|                               |                        | kW                         | 11.2 (4.5-12.5)          | 14.0 (5.0-16.0) | 16.0 (5.0-18.0)  |
|                               | Total input            | kW                         | 3.10                     | 3.87            | 4.43             |
|                               | COP                    |                            | 3.61                     | 3.62            | 3.61             |
|                               | Energy label class     |                            | A                        | A               | A                |
|                               | Booster heater         | kW                         | -                        | -               | -                |
| Power supply                  | Phase                  | $\phi$                     | 1                        |                 |                  |
|                               | Cycle                  | Hz                         | 50                       |                 |                  |
|                               | Voltage                | V                          | 230                      |                 |                  |
|                               | Breaker size           | A                          | 32                       |                 | 40               |
|                               | Indoor unit            | Air flow<br>(Low-Mid-High) | CMM                      | 24 - 29 - 34    | 29.5 - 35.5 - 42 |
| CFM                           |                        |                            | 847-1024-1201            | 1042-1253-1483  | 1130-1377-1624   |
| External pressure             |                        | Pa                         | 35 / 50 / 70 / 100 / 150 |                 |                  |
| Sound level<br>(Low-Mid-High) |                        | dB(A)                      | 29 - 34 - 38             | 33 - 36 - 40    | 34 - 38 - 43     |
| External finish               |                        |                            | Galvanized sheets        |                 |                  |
| Dimension                     |                        | W : mm                     | 1400                     |                 | 1600             |
|                               |                        | D : mm                     | 732                      |                 |                  |
|                               |                        | H : mm                     | 250                      |                 |                  |
|                               |                        | W : inch                   | 55-1/8                   |                 | 63               |
|                               |                        | D : inch                   | 28-7/8                   |                 |                  |
|                               |                        | H : inch                   | 9-7/8                    |                 |                  |
| Weight                        |                        | kg                         | 41 (40)                  | 43 (42)         | 47 (46)          |
|                               |                        | lbs                        | 91 (89)                  | 95 (93)         | 104 (102)        |
| Field drain pipe O.D.         |                        | mm                         | 32                       |                 |                  |
|                               | inch                   | 1-1/4                      |                          |                 |                  |
| Outdoor unit                  | Air flow               | CMM                        | 60                       | 100             |                  |
|                               |                        | CFM                        | 2,120                    | 3,530           |                  |
|                               | Sound level at cooling | dB(A)                      | 50                       | 51              | 52               |
|                               | Sound level at heating | dB(A)                      | 54                       | 55              | 56               |
|                               | External finish        |                            | Ivory Munsell 3Y 7.8/1.1 |                 |                  |
|                               | Dimension              | W : mm                     | 950                      |                 |                  |
|                               |                        | D : mm                     | 330(+30)                 |                 |                  |
|                               |                        | H : mm                     | 943                      | 1350            |                  |
|                               |                        | W : inch                   | 37-3/8                   |                 |                  |
|                               |                        | D : inch                   | 13 + 1-3/16              |                 |                  |
|                               |                        | H : inch                   | 37-1/8                   | 53-1/8          |                  |
| Weight                        | kg                     | 75                         | 99                       |                 |                  |
|                               | lbs                    | 165                        | 218                      |                 |                  |
| Refrigerant pipe size         | Gas side O.D.          | mm                         | 15.88                    |                 |                  |
|                               |                        | inch                       | 5/8                      |                 |                  |
|                               | Liquid side O.D.       | mm                         | 9.52                     |                 |                  |
|                               |                        | inch                       | 3/8                      |                 |                  |
| Refrigerant pipe length       | Height difference      | m                          | Max. 30                  |                 |                  |
|                               | Length                 | m                          | Max. 50                  |                 |                  |

- NOTE:**
- Rating conditions (ISO T1)  
 Cooling Indoor : D.B. 27°C (80°F) W.B. 19°C (66°F) Outdoor : D.B. 35°C (95°F) W.B. 24°C (75°F)  
 Heating Indoor : D.B. 20°C (68°F) Outdoor : D.B. 7°C (45°F) W.B. 6°C (43°F)  
 Refrigerant piping length (one way) : 5m (16ft.)

- Guaranteed operating range

|         |             | Indoor                 | Outdoor                |
|---------|-------------|------------------------|------------------------|
| Cooling | Upper limit | D.B. 35°C, W.B. 22.5°C | D.B. 46°C              |
|         | Lower limit | D.B. 19°C, W.B. 15°C   | D.B. -5°C *            |
| Heating | Upper limit | D.B. 28°C              | D.B. 21°C, W.B. 15°C   |
|         | Lower limit | D.B. 17°C              | D.B. -15°C, W.B. -15°C |

- Guaranteed voltage  
198-264V, 50Hz

- Above data are based on the indicated voltage.  
 Indoor unit Single phase 230V 50Hz  
 Outdoor unit Single phase 230V 50Hz

\* If optional air protect guide is installed : D.B.-15°C

|                         |                        |                 |                          |                  |                 |
|-------------------------|------------------------|-----------------|--------------------------|------------------|-----------------|
| Model name              | Indoor unit            | PEAD-RP100JA(L) | PEAD-RP125JA(L)          | PEAD-RP140JA(L)  |                 |
|                         | Outdoor unit           | PUHZ-P100YHA    | PUHZ-P125YHA             | PUHZ-P140YHA     |                 |
| Cooling                 | Capacity               | Btu/h           | 32,100                   | 42,000           | 46,400          |
|                         |                        | kW              | 9.4 (4.9-11.2)           | 12.3 (5.5-14.0)  | 13.6 (5.5-15.0) |
|                         | Total input            | kW              | 3.04 (3.02)              | 4.22 (4.20)      | 4.52 (4.50)     |
|                         | EER                    |                 | 3.09 (3.11)              | 2.91 (2.93)      | 3.01 (3.02)     |
|                         | Energy label class     |                 | B                        | C                | B               |
|                         | SHF                    |                 | 0.85                     | 0.85             | 0.84            |
| Heating                 | Capacity               | Btu/h           | 38,200                   | 47,800           | 54,600          |
|                         |                        | kW              | 11.2 (4.5-12.5)          | 14.0 (5.0-16.0)  | 16.0 (5.0-18.0) |
|                         | Total input            | kW              | 3.10                     | 3.87             | 4.43            |
|                         | COP                    |                 | 3.61                     | 3.62             | 3.61            |
|                         | Energy label class     |                 | A                        | A                | A               |
|                         | Booster heater         | kW              | -                        | -                | -               |
| Power supply            | Phase                  | φ               | 3                        |                  |                 |
|                         | Cycle                  | Hz              | 50                       |                  |                 |
|                         | Voltage                | V               | 400                      |                  |                 |
|                         | Breaker size           | A               | 16                       |                  |                 |
|                         |                        |                 |                          |                  |                 |
| Indoor unit             | Air flow               | CMM             | 24 - 29 - 34             | 29.5 - 35.5 - 42 | 32 - 39 - 46    |
|                         | (Low-Mid-High)         | CFM             | 847-1024-1201            | 1042-1253-1483   | 1130-1377-1624  |
|                         | External pressure      | Pa              | 35 / 50 / 70 / 100 / 150 |                  |                 |
|                         | Sound level            | dB(A)           | 29 - 34 - 38             | 33 - 36 - 40     | 34 - 38 - 43    |
|                         | (Low-Mid-High)         |                 |                          |                  |                 |
|                         | External finish        |                 | Galvanized sheets        |                  |                 |
|                         | Dimension              | W : mm          |                          | 1400             | 1600            |
|                         |                        |                 | D : mm                   | 732              |                 |
|                         |                        | H : mm          | 250                      |                  |                 |
|                         |                        | W : inch        |                          | 55-1/8           | 63              |
|                         |                        |                 | D : inch                 | 28-7/8           |                 |
|                         |                        | H : inch        | 9-7/8                    |                  |                 |
|                         | Weight                 | kg              | 41 (40)                  | 43 (42)          | 47 (46)         |
|                         |                        | lbs             | 91 (89)                  | 95 (93)          | 104 (102)       |
|                         | Field drain pipe O.D.  | mm              | 32                       |                  |                 |
| inch                    |                        | 1-1/4           |                          |                  |                 |
| Outdoor unit            | Air flow               | CMM             | 60                       | 100              |                 |
|                         |                        | CFM             | 2,120                    | 3,530            |                 |
|                         | Sound level at cooling | dB(A)           | 50                       | 51               | 52              |
|                         | Sound level at heating | dB(A)           | 54                       | 55               | 56              |
|                         | External finish        |                 | Ivory Munsell 3Y 7.8/1.1 |                  |                 |
|                         | Dimension              | W : mm          |                          | 950              |                 |
|                         |                        |                 | D : mm                   | 330(+30)         |                 |
|                         |                        | H : mm          | 943                      | 1350             |                 |
|                         |                        | W : inch        |                          | 37-3/8           |                 |
|                         |                        |                 | D : inch                 | 13 + 1-3/16      |                 |
|                         |                        | H : inch        | 37-1/8                   | 53-1/8           |                 |
|                         | Weight                 | kg              | 77                       | 101              |                 |
| lbs                     |                        | 169             | 222                      |                  |                 |
| Refrigerant pipe size   | Gas side O.D.          | mm              | 15.88                    |                  |                 |
|                         |                        | inch            | 5/8                      |                  |                 |
|                         | Liquid side O.D.       | mm              | 9.52                     |                  |                 |
|                         |                        | inch            | 3/8                      |                  |                 |
| Refrigerant pipe length | Height difference      | m               | Max. 30                  |                  |                 |
|                         | Length                 | m               | Max. 50                  |                  |                 |

**NOTE:** 1. Rating conditions (ISO T1)  
Cooling Indoor : D.B. 27°C (80°F) W.B. 19°C (66°F) Outdoor : D.B. 35°C (95°F) W.B. 24°C (75°F)  
Heating Indoor : D.B. 20°C (68°F) Outdoor : D.B. 7°C (45°F) W.B. 6°C (43°F)  
Refrigerant piping length (one way) : 5m (16ft.)

2. Guaranteed operating range

|         |             | Indoor                 | Outdoor                |
|---------|-------------|------------------------|------------------------|
| Cooling | Upper limit | D.B. 35°C, W.B. 22.5°C | D.B. 46°C              |
|         | Lower limit | D.B. 19°C, W.B. 15°C   | D.B. -5°C *            |
| Heating | Upper limit | D.B. 28°C              | D.B. 21°C, W.B. 15°C   |
|         | Lower limit | D.B. 17°C              | D.B. -15°C, W.B. -15°C |

3. Guaranteed voltage

Indoor unit 198-264V, 50Hz

Outdoor unit 342-457V, 50Hz

4. Above data are based on the indicated voltage.

Indoor unit Single phase 230V 50Hz

Outdoor unit 3 phase 400V 50Hz

\* If optional air protect guide installed. D.B. -15°C



|                         |                           |          |                          |                 |
|-------------------------|---------------------------|----------|--------------------------|-----------------|
| Model name              | Indoor unit               |          | PEA-RP200GA              | PEA-RP250GA     |
|                         | Outdoor unit              |          | PUHZ-P200YHA3            | PUHZ-P250YHA3   |
| Cooling                 | Capacity                  | Btu/h    | 65,000                   | 75,000          |
|                         |                           | kW       | 19.0(9.0-22.4)           | 22.0(11.2-28.0) |
|                         | Total input               | kW       | 7.21                     | 8.44            |
|                         | EER                       |          | 2.64                     | 2.61            |
|                         | Energy label class        |          | D                        | D               |
|                         | SHF                       |          | 0.81                     | 0.86            |
| Heating                 | Capacity                  | Btu/h    | 76,000                   | 92,000          |
|                         |                           | kW       | 22.4(9.5-25.0)           | 27.0(12.5-31.5) |
|                         | Total input               | kW       | 7.36                     | 8.47            |
|                         | COP                       |          | 3.04                     | 3.19            |
|                         | Energy label class        |          | D                        | D               |
|                         | Booster heater            | kW       | -                        | -               |
| Power supply            | Phase                     | φ        | 3                        |                 |
|                         | Cycle                     | Hz       | 50                       |                 |
|                         | Voltage                   | V        | 400                      |                 |
|                         | Breaker size              | A        | Indoor 15 / Outdoor 32   |                 |
| Indoor unit             | Air flow<br>(Low-High)    | CMM      | 52 - 65                  | 64 - 80         |
|                         |                           | CFM      | 1835 - 2295              | 2260 - 2825     |
|                         | External pressure         | Pa       | 150                      |                 |
|                         | Sound level<br>(Low-High) | dB(A)    | 48-51                    | 49 - 52         |
|                         | External finish           |          | Galvanized steel         |                 |
|                         | Dimension                 | W : mm   | 1400                     | 1600            |
|                         |                           | D : mm   | 634                      |                 |
|                         |                           | H : mm   | 400                      |                 |
|                         |                           | W : inch | 55-1/8                   | 63              |
|                         |                           | D : inch | 25                       |                 |
|                         |                           | H : inch | 15-3/4                   |                 |
|                         | Weight                    | kg       | 70                       | 77              |
|                         |                           | lbs      | 155                      | 170             |
|                         | Unit drain pipe           |          | R1                       |                 |
| Outdoor unit            | Air flow                  | CMM      | 130                      |                 |
|                         |                           | CFM      | 4590                     |                 |
|                         | Sound level at cooling    | dB(A)    | 59                       |                 |
|                         | Sound level at heating    | dB(A)    | 59                       |                 |
|                         | External finish           |          | Ivory Munsell 3Y 7.8/1.1 |                 |
|                         | Dimension                 | W : mm   | 950                      |                 |
|                         |                           | D : mm   | 330+30                   |                 |
|                         |                           | H : mm   | 1350                     |                 |
|                         |                           | W : inch | 37-3/8                   |                 |
|                         |                           | D : inch | 13 + 1-3/16              |                 |
|                         |                           | H : inch | 53-1/8                   |                 |
| Weight                  | kg                        | 126      | 133                      |                 |
|                         | lbs                       | 278      | 294                      |                 |
| Refrigerant pipe size   | Gas side O.D.             | mm       | 25.4                     |                 |
|                         |                           | inch     | 1                        |                 |
|                         | Liquid side O.D.          | mm       | 9.52                     | 12.7            |
|                         |                           | inch     | 3/8                      | 1/2             |
| Refrigerant pipe length | Height difference         | m        | Max. 30                  |                 |
|                         | Length                    | m        | Max. 70                  |                 |

**NOTE:** 1. Rating conditions (ISO T1)

Cooling Indoor : D.B. 27°C (80°F) W.B. 19°C (66°F) Outdoor : D.B. 35°C (95°F) W.B. 24°C (75°F)

Heating Indoor : D.B. 20°C (68°F) Outdoor : D.B. 7°C (45°F) W.B. 6°C (43°F)

Refrigerant piping length (one way) : 5m (16ft.)

2. Guaranteed operating range

|         |             | Indoor                 | Outdoor                |
|---------|-------------|------------------------|------------------------|
| Cooling | Upper limit | D.B. 35°C, W.B. 22.5°C | D.B. 46°C              |
|         | Lower limit | D.B. 19°C, W.B. 15°C   | D.B. -5°C ※1           |
| Heating | Upper limit | D.B. 28°C              | D.B. 21°C, W.B. 15°C   |
|         | Lower limit | D.B. 17°C              | D.B. -11°C, W.B. -12°C |

3. Guaranteed voltage  
342~457V, 50Hz

4. Above data are based on the indicated voltage.  
Indoor unit 3 phase 400V 50Hz  
Outdoor unit 3 phase 400V 50Hz

※1. If optional air protect guide is installed : D.B. -15°C



|                                      |                        |            |                              |                 |
|--------------------------------------|------------------------|------------|------------------------------|-----------------|
| Model name                           | Indoor unit            |            | PEA-RP400GA                  | PEA-RP500GA     |
|                                      | Outdoor unit           |            | PUHZ-P200YHA3×2              | PUHZ-P250YHA3×2 |
| Cooling                              | Capacity               | Btu/h      | 130,000                      | 150,000         |
|                                      |                        | kW         | 38.0(18.0-44.8)              | 44.0(22.4-56.0) |
|                                      | Total input            | kW         | 13.97                        | 17.36           |
|                                      | EER                    |            | 2.72                         | 2.53            |
|                                      | Energy label class     |            | -                            | -               |
|                                      | SHF                    |            | 0.75                         | 0.77            |
| Heating                              | Capacity               | Btu/h      | 153,000                      | 184,000         |
|                                      |                        | kW         | 44.8(19.0-50.0)              | 54.0(25.0-63.0) |
|                                      | Total input            | kW         | 14.27                        | 17.42           |
|                                      | COP                    |            | 3.14                         | 3.10            |
|                                      | Energy label class     |            | -                            | -               |
|                                      | Booster heater         | kW         | -                            | -               |
| Power supply                         | Phase                  | φ          | 3                            |                 |
|                                      | Cycle                  | Hz         | 50                           |                 |
|                                      | Voltage                | V          | 400                          |                 |
|                                      | Breaker size           | A          | Indoor 15 / Outdoor 32 ×2    |                 |
| Indoor unit                          | Air flow               | CMM        | 120                          | 160             |
|                                      |                        | (High) CFM | 4240                         | 5650            |
|                                      | External pressure      | Pa         | 150                          |                 |
|                                      | Sound level (High)     | dB(A)      | 52                           | 53              |
|                                      | External finish        |            | Galvanized steel             |                 |
|                                      | Dimension              | W : mm     | 1947                         |                 |
|                                      |                        | D : mm     | 764                          |                 |
|                                      |                        | H : mm     | 595                          |                 |
|                                      |                        | W : inch   | 79-11/16                     |                 |
|                                      |                        | D : inch   | 30-1/8                       |                 |
|                                      |                        | H : inch   | 23-7/16                      |                 |
|                                      | Weight                 | kg         | 130                          | 133             |
|                                      |                        | lbs        | 286                          | 293             |
|                                      | Unit drain pipe        |            | R1                           |                 |
| Outdoor unit<br>(Per 1 outdoor unit) | Air flow               | CMM        | 130                          |                 |
|                                      |                        | CFM        | 4590                         |                 |
|                                      | Sound level at cooling | dB(A)      | 59                           |                 |
|                                      | Sound level at heating | dB(A)      | 59                           |                 |
|                                      | External finish        |            | Ivory Munsell 3Y 7.8/1.1     |                 |
|                                      | Dimension              | W : mm     | 950                          |                 |
|                                      |                        | D : mm     | 330+30                       |                 |
|                                      |                        | H : mm     | 1350                         |                 |
|                                      |                        | W : inch   | 37-3/8                       |                 |
|                                      |                        | D : inch   | 13 + 1-3/16                  |                 |
|                                      |                        | H : inch   | 53-1/8                       |                 |
| Weight                               | kg                     | 126        | 133                          |                 |
|                                      | lbs                    | 278        | 294                          |                 |
| Refrigerant pipe size                | Gas side O.D.          | mm         | 25.4 × 2                     |                 |
|                                      |                        | inch       | 1 × 2                        |                 |
|                                      | Liquid side O.D.       | mm         | 9.52 × 2                     | 12.7 × 2        |
|                                      |                        | inch       | 3/8 × 2                      | 1/2 × 2         |
| Refrigerant pipe length              | Height difference      | m          | Max. 30                      |                 |
|                                      | Length                 | m          | Max. 70 (per 1 outdoor unit) |                 |

- NOTE:** 1. Rating conditions (ISO T1)  
Cooling Indoor : D.B. 27°C (80°F) W.B. 19°C (66°F) Outdoor : D.B. 35°C (95°F) W.B. 24°C (75°F)  
Heating Indoor : D.B. 20°C (68°F) Outdoor : D.B. 7°C (45°F) W.B. 6°C (43°F)  
Refrigerant piping length (one way) : 5m (16ft.)

2. Guaranteed operating range

|         |             | Indoor                 | Outdoor                |
|---------|-------------|------------------------|------------------------|
| Cooling | Upper limit | D.B. 35°C, W.B. 22.5°C | D.B. 46°C              |
|         | Lower limit | D.B. 19°C, W.B. 15°C   | D.B. -5°C ※1           |
| Heating | Upper limit | D.B. 28°C              | D.B. 21°C, W.B. 15°C   |
|         | Lower limit | D.B. 17°C              | D.B. -11°C, W.B. -12°C |

3. Guaranteed voltage  
342~457V, 50Hz

4. Above data are based on the indicated voltage.  
Indoor unit 3 phase 400V 50Hz  
Outdoor unit 3 phase 400V 50Hz

※1. If optional air protect guide is installed : D.B.-15°C



## 2-3. WALL-MOUNTED TYPE

| Model name              | Indoor unit                   |          | PKA-RP100KAL             | PKA-RP100KAL |
|-------------------------|-------------------------------|----------|--------------------------|--------------|
|                         | Outdoor unit                  |          | PUHZ-P100VHA3            | PUHZ-P100YHA |
| Cooling                 | Capacity                      | Btu/h    | 32.100                   |              |
|                         |                               | kW       | 9.4 (4.9-11.2)           |              |
|                         | Total input                   | kW       | 3.12                     |              |
|                         | EER                           |          | 3.01                     |              |
|                         | Energy label class            |          | B                        |              |
|                         | SHF                           |          | 0.75                     |              |
| Heating                 | Capacity                      | Btu/h    | 38.200                   |              |
|                         |                               | kW       | 11.2 (4.5-12.5)          |              |
|                         | Total input                   | kW       | 3.49                     |              |
|                         | COP                           |          | 3.21                     |              |
|                         | Energy label class            |          | C                        |              |
|                         | Booster heater                | kW       | -                        |              |
| Power supply            | Phase                         | φ        | 1                        | 3            |
|                         | Cycle                         | Hz       | 50                       | 50           |
|                         | Voltage                       | V        | 230                      | 400          |
|                         | Breaker size                  | A        | 32                       | 16           |
| Indoor unit             | Air flow<br>(Low-Mid-High)    | CMM      | 20 - 23 - 26             |              |
|                         |                               | CFM      | 705 - 810 - 920          |              |
|                         | External pressure             | Pa       | 0                        |              |
|                         | Sound level<br>(Low-Mid-High) | dB(A)    | 41 - 45 - 49             |              |
|                         | External finish               |          | Munsell 1.0Y 9.2/0.2     |              |
|                         | Dimension                     | W : mm   | 1170                     |              |
|                         |                               | D : mm   | 295                      |              |
|                         |                               | H : mm   | 365                      |              |
|                         |                               | W : inch | 46-1/16                  |              |
|                         |                               | D : inch | 11-5/8                   |              |
|                         |                               | H : inch | 14-3/8                   |              |
|                         | Weight                        | kg       | 21                       |              |
|                         |                               | lbs      | 46                       |              |
| Field drain pipe I.D.   | mm                            | 16       |                          |              |
|                         | inch                          | 5/8      |                          |              |
| Outdoor unit            | Air flow                      | CMM      | 60                       |              |
|                         |                               | CFM      | 2,120                    |              |
|                         | Sound level at cooling        | dB(A)    | 50                       |              |
|                         | Sound level at heating        | dB(A)    | 54                       |              |
|                         | External finish               |          | Ivory Munsell 3Y 7.8/1.1 |              |
|                         | Dimension                     | W : mm   | 950                      |              |
|                         |                               | D : mm   | 330+30                   |              |
|                         |                               | H : mm   | 943                      |              |
|                         |                               | W : inch | 37-3/8                   |              |
|                         |                               | D : inch | 13 + 1-3/16              |              |
|                         |                               | H : inch | 37-1/8                   |              |
| Weight                  | kg                            | 75       | 77                       |              |
|                         | lbs                           | 165      | 169                      |              |
| Refrigerant pipe size   | Gas side O.D.                 | mm       | 15.88                    |              |
|                         |                               | inch     | 5/8                      |              |
|                         | Liquid side O.D.              | mm       | 9.52                     |              |
|                         |                               | inch     | 3/8                      |              |
| Refrigerant pipe length | Height difference             | m        | Max. 30                  |              |
|                         | Length                        | m        | Max. 50                  |              |

**NOTE:**

- Rating conditions (ISO T1)  
 Cooling Indoor : D.B. 27°C (80°F) W.B. 19°C (66°F) Outdoor : D.B. 35°C (95°F) W.B. 24°C (75°F)  
 Heating Indoor : D.B. 20°C (68°F) Outdoor : D.B. 7°C (45°F) W.B. 6°C (43°F)  
 Refrigerant piping length (one way) : 5m (16ft.)
- Guaranteed operating range
 

|         |             | Indoor                 | Outdoor                |
|---------|-------------|------------------------|------------------------|
| Cooling | Upper limit | D.B. 35°C, W.B. 22.5°C | D.B. 46°C              |
|         | Lower limit | D.B. 19°C, W.B. 15°C   | D.B. -5°C *1           |
| Heating | Upper limit | D.B. 28°C              | D.B. 21°C, W.B. 15°C   |
|         | Lower limit | D.B. 17°C              | D.B. -15°C, W.B. -15°C |
- Guaranteed voltage  
198~264V, 50Hz (V) / 342~457V, 50Hz (Y)
- Above data are based on the indicated voltage.  
 Indoor unit Single phase 230V 50Hz  
 Outdoor unit V : Single phase 230V 50Hz  
 Y : 3 phase 400V 50Hz  
 \*1. If optional air protect guide is installed : D.B.-15°C

## 2-4. CEILING-SUSPENDED TYPE

| Model name              | Indoor unit                               |          | PCA-RP100KA                | PCA-RP125KA       | PCA-RP140KA       |
|-------------------------|---|----------|----------------------------|-------------------|-------------------|
|                         | Outdoor unit                              |          | PUHZ-P100VHA3              | PUHZ-P125VHA3     | PUHZ-P140VHA3     |
| Cooling                 | Capacity                                  | Btu/h    | 32,100                     | 42,000            | 46,400            |
|                         |   | kW       | 9.4(4.9-11.2)              | 12.3(5.5-14.0)    | 13.6(5.5-15.0)    |
|                         | Total input                               | kW       | 3.13                       | 4.09              | 4.84              |
|                         | EER                                       |          | 3.00                       | 3.01              | 2.81              |
|                         | Energy label class                        |          | C                          | B                 | C                 |
|                         | SHF                                       |          | 0.77                       | 0.72              | 0.71              |
| Heating                 | Capacity                                  | Btu/h    | 38,200                     | 47,800            | 54,600            |
|                         |   | kW       | 11.2(4.5-12.5)             | 14.0(5.0-16.0)    | 16.0(5.0-18.0)    |
|                         | Total input                               | kW       | 3.28                       | 4.12              | 4.69              |
|                         | COP                                       |          | 3.41                       | 3.40              | 3.41              |
|                         | Energy label class                        |          | B                          | C                 | B                 |
|                         | Booster heater                            |          | kW                         | -                 | -                 |
| Power supply            | Phase                                     | φ        | 1                          |                   |                   |
|                         | Cycle                                     | Hz       | 50                         |                   |                   |
|                         | Voltage                                   | V        | 230                        |                   |                   |
|                         | Breaker size                              | A        | 32                         |                   | 40                |
|                         |   |          |                            |                   |                   |
| Indoor unit             | Air flow<br>(Low-Medium2-Medium1-High)    | CMM      | 22 - 24 - 26 - 28          | 23 - 25 - 27 - 29 | 24 - 26 - 29 - 32 |
|                         |   | CFM      | 775-850-920-990            | 810-885-955-1025  | 850-920-1025-1130 |
|                         | External pressure                         | Pa       | 0                          |                   |                   |
|                         | Sound level<br>(Low-Medium2-Medium1-High) | dB(A)    | 37 - 39 - 41 - 43          | 39 - 41 - 43 - 45 | 41 - 43 - 45 - 48 |
|                         | External finish                           |          | White Munsell 6.4Y 8.9/0.4 |                   |                   |
|                         | Dimension                                 | W : mm   | 1600                       |                   |                   |
|                         |   | D : mm   | 680                        |                   |                   |
|                         |   | H : mm   | 230                        |                   |                   |
|                         |   | W : inch | 63                         |                   |                   |
|                         |   | D : inch | 26-3/4                     |                   |                   |
|                         |   | H : inch | 9-1/16                     |                   |                   |
|                         | Weight                                    | kg       | 36                         | 38                | 39                |
|                         |   | lbs      | 79                         | 84                | 86                |
| Field drain pipe O.D.   | mm  | 26       |                            |                   |                   |
|                         | inch                                      | 1        |                            |                   |                   |
| Outdoor unit            | Air flow                                  | CMM      | 60                         | 100               |                   |
|                         |   | CFM      | 2,120                      | 3,530             |                   |
|                         | Sound level at cooling                    | dB(A)    | 50                         | 51                | 52                |
|                         | Sound level at heating                    | dB(A)    | 54                         | 55                | 56                |
|                         | External finish                           |          | Ivory Munsell 3Y 7.8/1.1   |                   |                   |
|                         | Dimension                                 | W : mm   | 950                        |                   |                   |
|                         |   | D : mm   | 330                        |                   |                   |
|                         |   | H : mm   | 943                        | 1350              |                   |
|                         |   | W : inch | 37-3/8                     |                   |                   |
|                         |   | D : inch | 13 + 1-3/16                |                   |                   |
|                         |   | H : inch | 37-1/8                     | 53-1/8            |                   |
| Weight                  | kg  | 75       | 99                         |                   |                   |
|                         | lbs                                       | 165      | 218                        |                   |                   |
| Refrigerant pipe size   | Gas side O.D.                             | mm       | 15.88                      |                   |                   |
|                         |   | inch     | 5/8                        |                   |                   |
|                         | Liquid side O.D.                          | mm       | 9.52                       |                   |                   |
|                         |   | inch     | 3/8                        |                   |                   |
| Refrigerant pipe length | Height difference                         | m        | Max. 30                    |                   |                   |
|                         | Length                                    | m        | Max. 50                    |                   |                   |

**NOTE:** 1. Rating conditions (ISO T1)  
Cooling Indoor : D.B. 27°C (80°F) W.B. 19°C (66°F) Outdoor : D.B. 35°C (95°F) W.B. 24°C (75°F)  
Heating Indoor : D.B. 20°C (68°F) Outdoor : D.B. 7°C (45°F) W.B. 6°C (43°F)  
Refrigerant piping length (one way) : 5m (16ft.)

2. Guaranteed operating range

|         |             | Indoor                 | Outdoor                |
|---------|-------------|------------------------|------------------------|
| Cooling | Upper limit | D.B. 35°C, W.B. 22.5°C | D.B. 46°C              |
|         | Lower limit | D.B. 19°C, W.B. 15°C   | D.B. -5°C *            |
| Heating | Upper limit | D.B. 28°C              | D.B. 21°C, W.B. 15°C   |
|         | Lower limit | D.B. 17°C              | D.B. -15°C, W.B. -15°C |

3. Guaranteed voltage  
198-264V, 50Hz

4. Above data are based on the indicated voltage.

Indoor unit Single phase 230V 50Hz

Outdoor unit Single phase 230V 50Hz

\* If optional air protect guide is installed : D.B.-15°C

| Model name              | Indoor unit                |          | PCA-RP100KA                | PCA-RP125KA       | PCA-RP140KA       |
|-------------------------|----------------------------|----------|----------------------------|-------------------|-------------------|
|                         | Outdoor unit               |          | PUHZ-P100YHA               | PUHZ-P125YHA      | PUHZ-P140YHA      |
| Cooling                 | Capacity                   | Btu/h    | 32,100                     | 42,000            | 46,400            |
|                         |                            | kW       | 9.4(4.9-11.2)              | 12.3(5.5-14.0)    | 13.6(5.5-15.0)    |
|                         | Total input                | kW       | 3.13                       | 4.09              | 4.84              |
|                         | EER                        |          | 3.00                       | 3.01              | 2.81              |
|                         | Energy label class         |          | C                          | B                 | C                 |
|                         | SHF                        |          | 0.77                       | 0.72              | 0.71              |
| Heating                 | Capacity                   | Btu/h    | 38,200                     | 47,800            | 54,600            |
|                         |                            | kW       | 11.2(4.5-12.5)             | 14.0(5.0-16.0)    | 16.0(5.0-18.0)    |
|                         | Total input                | kW       | 3.28                       | 4.12              | 4.69              |
|                         | COP                        |          | 3.41                       | 3.40              | 3.41              |
|                         | Energy label class         |          | B                          | C                 | B                 |
|                         | Booster heater             |          | kW                         | -                 | -                 |
| Power supply            | Phase                      | φ        | 3                          |                   |                   |
|                         | Cycle                      | Hz       | 50                         |                   |                   |
|                         | Voltage                    | V        | 400                        |                   |                   |
|                         | Breaker size               | A        | 16                         |                   |                   |
| Indoor unit             | Air flow                   | CMM      | 22 - 24 - 26 - 28          | 23 - 25 - 27 - 29 | 24 - 26 - 29 - 32 |
|                         | (Low-Medium2-Medium1-High) | CFM      | 775-850-920-990            | 810-885-955-1025  | 850-920-1025-1130 |
|                         | External pressure          | Pa       | 0                          |                   |                   |
|                         | Sound level                | dB(A)    | 37 - 39 - 41 - 43          | 39 - 41 - 43 - 45 | 41 - 43 - 45 - 48 |
|                         | (Low-Medium2-Medium1-High) |          |                            |                   |                   |
|                         | External finish            |          | White Munsell 6.4Y 8.9/0.4 |                   |                   |
|                         | Dimension                  | W : mm   | 1600                       |                   |                   |
|                         |                            | D : mm   | 680                        |                   |                   |
|                         |                            | H : mm   | 230                        |                   |                   |
|                         |                            | W : inch | 63                         |                   |                   |
|                         |                            | D : inch | 26-3/4                     |                   |                   |
|                         |                            | H : inch | 9-1/16                     |                   |                   |
|                         | Weight                     | kg       | 36                         | 38                | 39                |
| lbs                     |                            | 79       | 84                         | 86                |                   |
| Field drain pipe O.D.   | mm                         | 26       |                            |                   |                   |
|                         | inch                       | 1        |                            |                   |                   |
| Outdoor unit            | Air flow                   | CMM      | 60                         | 100               |                   |
|                         |                            | CFM      | 2,120                      | 3,530             |                   |
|                         | Sound level at cooling     | dB(A)    | 50                         | 51                | 52                |
|                         | Sound level at heating     | dB(A)    | 54                         | 55                | 56                |
|                         | External finish            |          | Ivory Munsell 3Y 7.8/1.1   |                   |                   |
|                         | Dimension                  | W : mm   | 950                        |                   |                   |
|                         |                            | D : mm   | 330 (+30)                  |                   |                   |
|                         |                            | H : mm   | 943                        | 1350              |                   |
|                         |                            | W : inch | 37-3/8                     |                   |                   |
|                         |                            | D : inch | 13 + 1-3/16                |                   |                   |
| H : inch                |                            | 37-1/8   | 53-1/8                     |                   |                   |
| Weight                  | kg                         | 77       | 101                        |                   |                   |
|                         | lbs                        | 169      | 222                        |                   |                   |
| Refrigerant pipe size   | Gas side O.D.              | mm       | 15.88                      |                   |                   |
|                         |                            | inch     | 5/8                        |                   |                   |
|                         | Liquid side O.D.           | mm       | 9.52                       |                   |                   |
|                         |                            | inch     | 3/8                        |                   |                   |
| Refrigerant pipe length | Height difference          | m        | Max. 30                    |                   |                   |
|                         | Length                     | m        | Max. 50                    |                   |                   |

**NOTE:** 1. Rating conditions (ISO T1)

Cooling Indoor : D.B. 27°C (80°F) W.B. 19°C (66°F) Outdoor : D.B. 35°C (95°F) W.B. 24°C (75°F)  
 Heating Indoor : D.B. 20°C (68°F) Outdoor : D.B. 7°C (45°F) W.B. 6°C (43°F)

Refrigerant piping length (one way) : 5m (16ft.)

2. Guaranteed operating range

|         |             | Indoor                 | Outdoor                |
|---------|-------------|------------------------|------------------------|
| Cooling | Upper limit | D.B. 35°C, W.B. 22.5°C | D.B. 46°C              |
|         | Lower limit | D.B. 19°C, W.B. 15°C   | D.B. -5°C *            |
| Heating | Upper limit | D.B. 28°C              | D.B. 21°C, W.B. 15°C   |
|         | Lower limit | D.B. 17°C              | D.B. -15°C, W.B. -15°C |

3. Guaranteed voltage

Indoor unit 198-264V, 50Hz  
 Outdoor unit 342-457V, 50Hz

4. Above data are based on the indicated voltage.

Indoor unit Single phase 230V 50Hz  
 Outdoor unit 3 phase 400V 50Hz

\* If optional air protect guide installed. D.B. -15°C

| Model name              | Indoor unit               |          | PCA-RP125HA              | PCA-RP125HA  |
|-------------------------|---------------------------|----------|--------------------------|--------------|
|                         | Outdoor unit              |          | PUHZ-P125VHA3            | PUHZ-P125YHA |
| Cooling                 | Capacity                  | Btu/h    | 42,000                   |              |
|                         |                           | kW       | 12.3 (5.5-14.0)          |              |
|                         | Total input               | kW       | 4.38                     |              |
|                         | EER                       |          | 2.81                     |              |
|                         | Energy label class        |          | C                        |              |
|                         | SHF                       |          | 0.78                     |              |
| Heating                 | Capacity                  | Btu/h    | 47,100                   |              |
|                         |                           | kW       | 13.8 (5.0-16.0)          |              |
|                         | Total input               | kW       | 4.30                     |              |
|                         | COP                       |          | 3.21                     |              |
|                         | Energy label class        |          | C                        |              |
|                         | Booster heater            | kW       | -                        |              |
| Power supply            | Phase                     | φ        | 1                        | 3            |
|                         | Cycle                     | Hz       | 50                       | 50           |
|                         | Voltage                   | V        | 230                      | 400          |
|                         | Breaker size              | A        | 32                       | 16           |
| Indoor unit             | Air flow<br>(Low-High)    | CMM      | 30-38                    |              |
|                         |                           | CFM      | 1060-1350                |              |
|                         | External pressure         | Pa       | 0                        |              |
|                         | Sound level<br>(Low-High) | dB(A)    | 44-50                    |              |
|                         | External finish           |          | Stainless steel          |              |
|                         | Dimension                 | W : mm   | 1520                     |              |
|                         |                           | D : mm   | 650                      |              |
|                         |                           | H : mm   | 280                      |              |
|                         |                           | W : inch | 59-7/8                   |              |
|                         |                           | D : inch | 25-5/8                   |              |
|                         |                           | H : inch | 11                       |              |
| Weight                  | kg                        | 56       |                          |              |
|                         | lbs                       | 124      |                          |              |
| Field drain pipe O.D.   | mm                        | 26       |                          |              |
|                         | inch                      | 1        |                          |              |
| Outdoor unit            | Air flow                  | CMM      | 100                      |              |
|                         |                           | CFM      | 3,530                    |              |
|                         | Sound level at cooling    | dB(A)    | 51                       |              |
|                         | Sound level at heating    | dB(A)    | 55                       |              |
|                         | External finish           |          | Ivory Munsell 3Y 7.8/1.1 |              |
|                         | Dimension                 | W : mm   | 950                      |              |
|                         |                           | D : mm   | 330+30                   |              |
|                         |                           | H : mm   | 1350                     |              |
|                         |                           | W : inch | 37-3/8                   |              |
|                         |                           | D : inch | 13 + 1-3/16              |              |
|                         |                           | H : inch | 53-1/8                   |              |
| Weight                  | kg                        | 99       | 101                      |              |
|                         | lbs                       | 218      | 222                      |              |
| Refrigerant pipe size   | Gas side O.D.             | mm       | 15.88                    |              |
|                         |                           | inch     | 5/8                      |              |
|                         | Liquid side O.D.          | mm       | 9.52                     |              |
|                         |                           | inch     | 3/8                      |              |
| Refrigerant pipe length | Height difference         | m        | Max. 30                  |              |
|                         | Length                    | m        | Max. 50                  |              |

**NOTE:** 1. Rating conditions (ISO T1)  
Cooling Indoor : D.B. 27°C (80°F) W.B. 19°C (66°F) Outdoor : D.B. 35°C (95°F) W.B. 24°C (75°F)  
Heating Indoor : D.B. 20°C (68°F) Outdoor : D.B. 7°C (45°F) W.B. 6°C (43°F)  
Refrigerant piping length (one way) : 5m (16ft.)

2. Guaranteed operating range

|         |             | Indoor                 | Outdoor                |
|---------|-------------|------------------------|------------------------|
| Cooling | Upper limit | D.B. 35°C, W.B. 22.5°C | D.B. 46°C              |
|         | Lower limit | D.B. 19°C, W.B. 15°C   | D.B. -5°C *            |
| Heating | Upper limit | D.B. 28°C              | D.B. 21°C, W.B. 15°C   |
|         | Lower limit | D.B. 17°C              | D.B. -15°C, W.B. -15°C |

3. Guaranteed voltage

198~264V, 50Hz (P125Y : 342~457V, 50Hz)

4. Above data are based on the indicated voltage.

Indoor unit Single phase 230V 50Hz

Outdoor unit V: Single phase 230V 50Hz,

Y: 3 phase 400V 50Hz

\* If optional air protect guide installed. D.B. -15°C

## 2-5. FLOOR STANDING TYPE

| Model name              | Indoor unit               |          | PSA-RP100GA                   | PSA-RP125GA    | PSA-RP140GA    |
|-------------------------|---------------------------|----------|-------------------------------|----------------|----------------|
|                         | Outdoor unit              |          | PUHZ-P100VHA3                 | PUHZ-P125VHA3  | PUHZ-P140VHA3  |
| Cooling                 | Capacity                  | Btu/h    | 32,100                        | 42,000         | 46,400         |
|                         |                           | kW       | 9.4(4.9-11.2)                 | 12.3(5.5-14.0) | 13.6(5.5-15.0) |
|                         | Total input               | kW       | 3.12                          | 4.38           | 5.64           |
|                         | EER                       |          | 3.01                          | 2.81           | 2.41           |
|                         | Energy label class        |          | B                             | C              | E              |
|                         | SHF                       |          | 0.83                          | 0.76           | 0.75           |
| Heating                 | Capacity                  | Btu/h    | 38,200                        | 47,800         | 54,600         |
|                         |                           | kW       | 11.2(4.5-12.5)                | 14.0(5.0-16.0) | 16.0(5.0-18.0) |
|                         | Total input               | kW       | 3.28                          | 4.98           | 5.69           |
|                         | COP                       |          | 3.41                          | 2.81           | 2.81           |
|                         | Energy label class        |          | B                             | D              | D              |
|                         | Booster heater            | kW       | -                             | -              | -              |
| Power supply            | Phase                     | φ        | 1                             |                |                |
|                         | Cycle                     | Hz       | 50                            |                |                |
|                         | Voltage                   | V        | 230                           |                |                |
|                         | Breaker size              | A        | 32                            |                | 40             |
| Indoor unit             | Air flow<br>(Low-High)    | CMM      | 24-31                         | 26-33          | 27-35          |
|                         |                           | CFM      | 850-1060                      | 920-1165       | 955-1240       |
|                         | External pressure         | Pa       | 0                             |                |                |
|                         | Sound level<br>(Low-High) | dB(A)    | 44-49                         | 46-51          | 47-52          |
|                         | External finish           |          | White Munsell 0.70Y 8.59/0.97 |                |                |
|                         | Dimension                 | W : mm   | 600                           |                |                |
|                         |                           | D : mm   | 350                           |                |                |
|                         |                           | H : mm   | 1900                          |                |                |
|                         |                           | W : inch | 23-5/8                        |                |                |
|                         |                           | D : inch | 13-3/4                        |                |                |
|                         |                           | H : inch | 74-13/16                      |                |                |
|                         | Weight                    | kg       | 51                            |                | 53             |
|                         |                           | lbs      | 112                           |                | 117            |
| Field drain pipe I.D.   | mm                        | 20       |                               |                |                |
|                         | inch                      | 13/16    |                               |                |                |
| Outdoor unit            | Air flow                  | CMM      | 60                            | 100            |                |
|                         |                           | CFM      | 2,120                         | 3,530          |                |
|                         | Sound level at cooling    | dB(A)    | 50                            | 51             | 52             |
|                         | Sound level at heating    | dB(A)    | 54                            | 55             | 56             |
|                         | External finish           |          | Ivory Munsell 3Y 7.8/1.1      |                |                |
|                         | Dimension                 | W : mm   | 950                           |                |                |
|                         |                           | D : mm   | 330+30                        |                |                |
|                         |                           | H : mm   | 943                           | 1350           |                |
|                         |                           | W : inch | 37-3/8                        |                |                |
|                         |                           | D : inch | 13 + 1-3/16                   |                |                |
|                         |                           | H : inch | 37-1/8                        | 53-1/8         |                |
| Weight                  | kg                        | 75       | 99                            |                |                |
|                         | lbs                       | 165      | 218                           |                |                |
| Refrigerant pipe size   | Gas side O.D.             | mm       | 15.88                         |                |                |
|                         |                           | inch     | 5/8                           |                |                |
|                         | Liquid side O.D.          | mm       | 9.52                          |                |                |
|                         |                           | inch     | 3/8                           |                |                |
| Refrigerant pipe length | Height difference         | m        | Max. 30                       |                |                |
|                         | Length                    | m        | Max. 50                       |                |                |

- NOTE:**
- Rating conditions (ISO T1)  
 Cooling Indoor : D.B. 27°C (80°F) W.B. 19°C (66°F) Outdoor : D.B. 35°C (95°F) W.B. 24°C (75°F)  
 Heating Indoor : D.B. 20°C (68°F) Outdoor : D.B. 7°C (45°F) W.B. 6°C (43°F)  
 Refrigerant piping length (one way) : 5m (16ft.)
  - Guaranteed operating range

|         |             | Indoor                 | Outdoor                |
|---------|-------------|------------------------|------------------------|
| Cooling | Upper limit | D.B. 35°C, W.B. 22.5°C | D.B. 46°C              |
|         | Lower limit | D.B. 19°C, W.B. 15°C   | D.B. -5°C *            |
| Heating | Upper limit | D.B. 28°C              | D.B. 21°C, W.B. 15°C   |
|         | Lower limit | D.B. 17°C              | D.B. -15°C, W.B. -15°C |

- Guaranteed voltage  
198~264V, 50Hz

- Above data are based on the indicated voltage.  
 Indoor unit Single phase 230V 50Hz  
 Outdoor unit Single phase 230V 50Hz

\* If optional air protect guide is installed : D.B. -15°C

| Model name              | Indoor unit            |          | PSA-RP100GA                   | PSA-RP125GA    | PSA-RP140GA    |
|-------------------------|------------------------|----------|-------------------------------|----------------|----------------|
|                         | Outdoor unit           |          | PUHZ-P100YHA                  | PUHZ-P125YHA   | PUHZ-P140YHA   |
| Cooling                 | Capacity               | Btu/h    | 32,100                        | 42,000         | 46,400         |
|                         |                        | kW       | 9.4(4.9-11.2)                 | 12.3(5.5-14.0) | 13.6(5.5-15.0) |
|                         | Total input            | kW       | 3.12                          | 4.38           | 5.64           |
|                         | EER                    |          | 3.01                          | 2.81           | 2.41           |
|                         | Energy label class     |          | B                             | C              | E              |
|                         | SHF                    |          | 0.83                          | 0.76           | 0.75           |
| Heating                 | Capacity               | Btu/h    | 38,200                        | 47,800         | 54,600         |
|                         |                        | kW       | 11.2(4.5-12.5)                | 14.0(5.0-16.0) | 16.0(5.0-18.0) |
|                         | Total input            | kW       | 3.28                          | 4.98           | 5.69           |
|                         | COP                    |          | 3.41                          | 2.81           | 2.81           |
|                         | Energy label class     |          | B                             | D              | D              |
|                         | Booster heater         | kW       | -                             | -              | -              |
| Power supply            | Phase                  | φ        | 3                             |                |                |
|                         | Cycle                  | Hz       | 50                            |                |                |
|                         | Voltage                | V        | 400                           |                |                |
|                         | Breaker size           | A        | 16                            |                |                |
|                         |                        |          |                               |                |                |
| Indoor unit             | Air flow               | CMM      | 24-31                         | 26-33          | 27-35          |
|                         | (Low-High)             | CFM      | 850-1060                      | 920-1165       | 955-1240       |
|                         | External pressure      | Pa       | 0                             |                |                |
|                         | Sound level            | dB(A)    | 44-49                         | 46-51          | 47-52          |
|                         | (Low-High)             |          |                               |                |                |
|                         | External finish        |          | White Munsell 0.70Y 8.59/0.97 |                |                |
|                         | Dimension              | W : mm   | 600                           |                |                |
|                         |                        | D : mm   | 350                           |                |                |
|                         |                        | H : mm   | 1900                          |                |                |
|                         |                        | W : inch | 23-5/8                        |                |                |
|                         |                        | D : inch | 13-3/4                        |                |                |
|                         |                        | H : inch | 74-13/16                      |                |                |
|                         | Weight                 | kg       | 51                            |                | 53             |
| lbs                     |                        | 112      |                               | 117            |                |
| Field drain pipe I.D.   | mm                     | 20       |                               |                |                |
|                         | inch                   | 13/16    |                               |                |                |
| Outdoor unit            | Air flow               | CMM      | 60                            | 100            |                |
|                         |                        | CFM      | 2,120                         | 3,530          |                |
|                         | Sound level at cooling | dB(A)    | 50                            | 51             | 52             |
|                         | Sound level at heating | dB(A)    | 54                            | 55             | 56             |
|                         | External finish        |          | Ivory Munsell 3Y 7.8/1.1      |                |                |
|                         | Dimension              | W : mm   | 950                           |                |                |
|                         |                        | D : mm   | 330+30                        |                |                |
|                         |                        | H : mm   | 943                           | 1350           |                |
|                         |                        | W : inch | 37-3/8                        |                |                |
|                         |                        | D : inch | 13 + 1-3/16                   |                |                |
|                         |                        | H : inch | 37-1/8                        | 53-1/8         |                |
|                         | Weight                 | kg       | 77                            | 101            |                |
|                         |                        | lbs      | 169                           | 222            |                |
| Refrigerant pipe size   | Gas side O.D.          | mm       | 15.88                         |                |                |
|                         |                        | inch     | 5/8                           |                |                |
|                         | Liquid side O.D.       | mm       | 9.52                          |                |                |
|                         |                        | inch     | 3/8                           |                |                |
| Refrigerant pipe length | Height difference      | m        | Max. 30                       |                |                |
|                         | Length                 | m        | Max. 50                       |                |                |

**NOTE:** 1. Rating conditions (ISO T1)  
Cooling Indoor : D.B. 27°C (80°F) W.B. 19°C (66°F) Outdoor : D.B. 35°C (95°F) W.B. 24°C (75°F)  
Heating Indoor : D.B. 20°C (68°F) Outdoor : D.B. 7°C (45°F) W.B. 6°C (43°F)  
Refrigerant piping length (one way) : 5m (16ft.)

2. Guaranteed operating range

|         |             | Indoor                 | Outdoor                |
|---------|-------------|------------------------|------------------------|
| Cooling | Upper limit | D.B. 35°C, W.B. 22.5°C | D.B. 46°C              |
|         | Lower limit | D.B. 19°C, W.B. 15°C   | D.B. -5°C *            |
| Heating | Upper limit | D.B. 28°C              | D.B. 21°C, W.B. 15°C   |
|         | Lower limit | D.B. 17°C              | D.B. -15°C, W.B. -15°C |

3. Guaranteed voltage

Indoor unit 198-264V, 50Hz

Outdoor unit 342-457V, 50Hz

4. Above data are based on the indicated voltage.

Indoor unit Single phase 230V 50Hz

Outdoor unit 3 phase 400V 50Hz

\* If optional air protect guide installed. D.B. -15°C

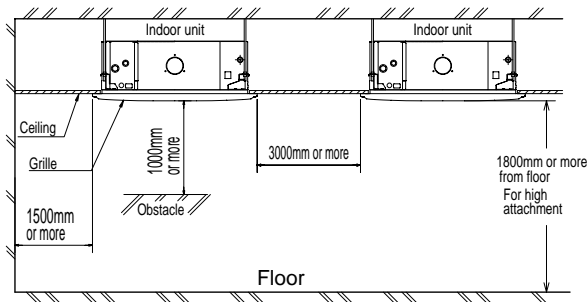
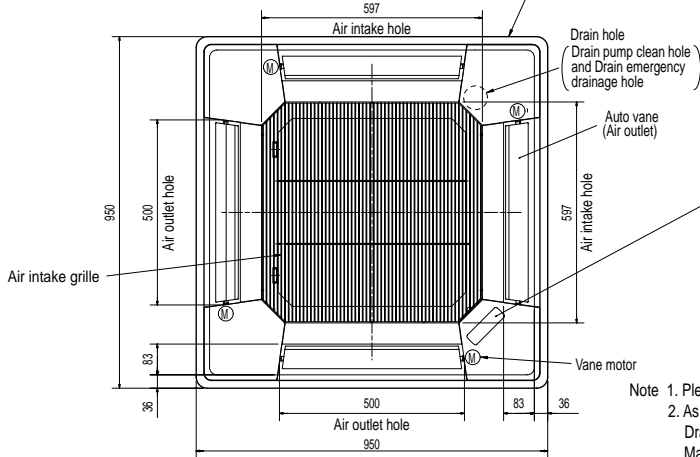
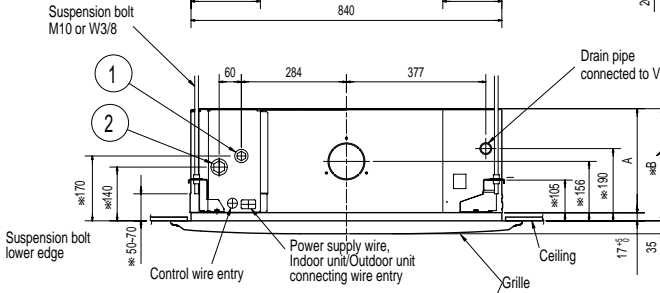
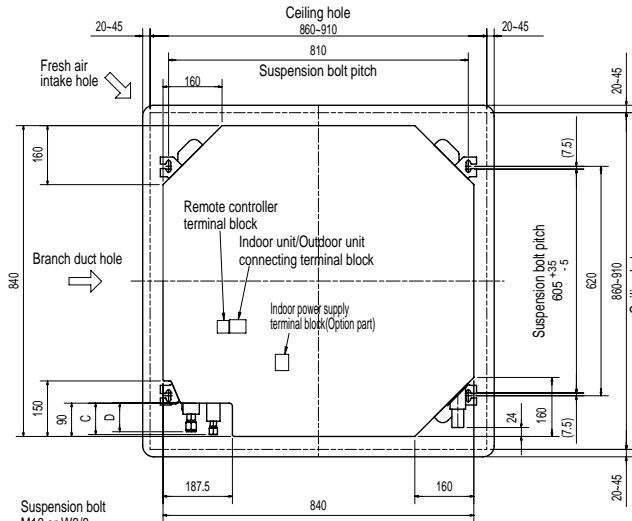
**INDOOR UNIT**  
**PLA-RP50BA**  
**PLA-RP100BA**  
**PLA-RP71BA2**

**PLA-RP60BA**  
**PLA-RP125BA**  
**PLA-RP100BA3**

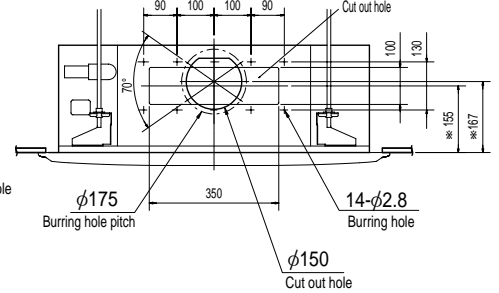
**PLA-RP71BA**  
**PLA-RP125BA2**

**PLA-RP140BA2**

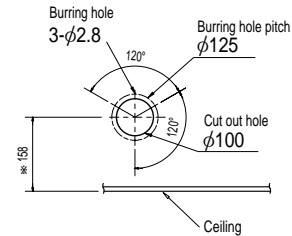
Unit : mm



Detail connecting of branch duct(Both aspects)



Detail drawing of fresh air intake hole

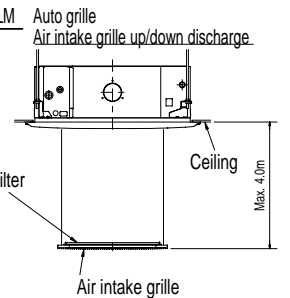
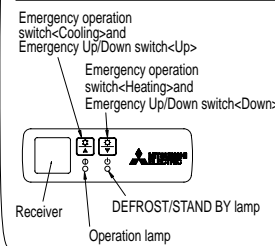


In case of standard grille : PLP-6BA / PLP-6BAMD



In case of auto-grille : PLP-6BAJ

In case of wireless remote controller : PLP-6BALM

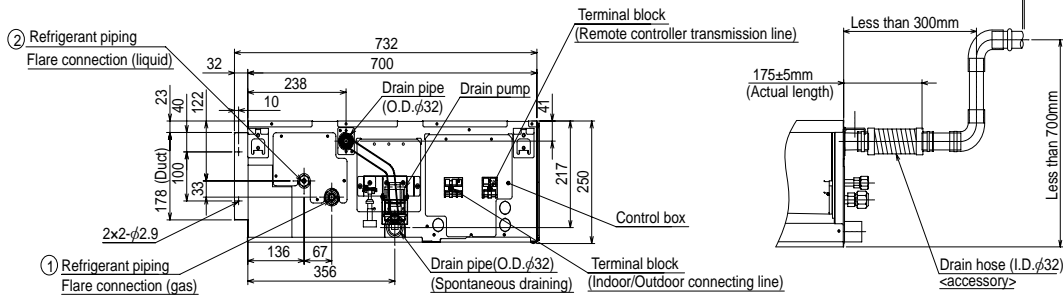
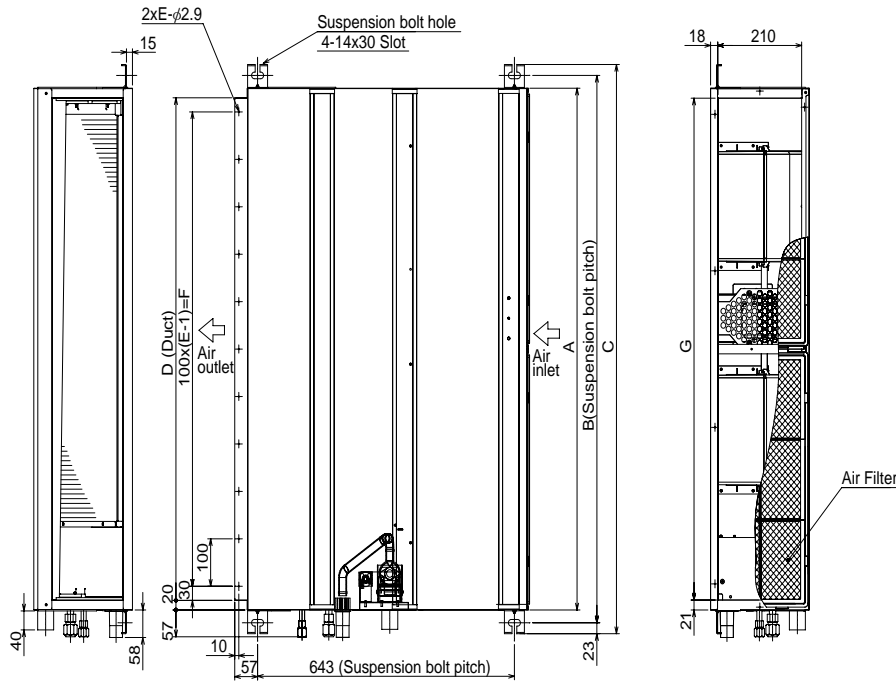


- Please choose the grille from a standard grille, auto-grille.
- As for drain pipe, please use VP-25(O.D.  $\phi 32$  PVC TUBE). Drain pump is included. Max. lifting height is 850mm from the ceiling.
- As for suspension bolt, please use M10 or W3/8. (Procured at local site)
- Electrical box may be removed for the service purpose. Make sure to slack the electrical wire little bit for control/ power wires connection.
- The height of the indoor unit is able to be adjusted with the grille attached.
- For the installation of the optional high efficiency filter or optional multi-functional casement.
  - Requires E or more space between transom and ceiling for the installation.
  - Add 135 mm to the dimensions \* marked on the figure.
  - The optional high efficiency filter must be used jointly with optional multi-functional casement.
- When installing the branch ducts, be sure to insulate adequately. Otherwise condensation and dripping may occur. (It becomes the cause of dew drops/water dew.)
- As for necessary installation/service space, please refer to the left figure.

| Models  | ①  | ②  | A   | B   | C  | D  | E   |
|---|--|--|-----|-----|----|----|-----|
| PLA-RP50BA  | Refrigerant pipe ... $\phi 6.35$<br>Flared connection ...1/4 inch                            | Refrigerant pipe ... $\phi 12.7$<br>Flared connection ...1/2 inch  |     |     | 80 |    |     |
| PLA-RP60BA  | Refrigerant pipe $\phi 6.35 / \phi 9.52$<br>Flared connection 1/4 inch/3/8 inch (compatible) |  | 241 | 258 | 87 | 74 | 400 |
| PLA-RP71BA<br>PLA-RP71BA2                           | Refrigerant pipe ... $\phi 9.52$   | Refrigerant pipe ... $\phi 15.88$<br>Flared connection ...5/8 inch |     |     |    |    |     |
| PLA-RP100,125BA<br>PLA-RP100BA3<br>PLA-RP125,140BA2 | Flared connection ...3/8 inch  |  | 281 | 298 | 85 | 77 | 440 |

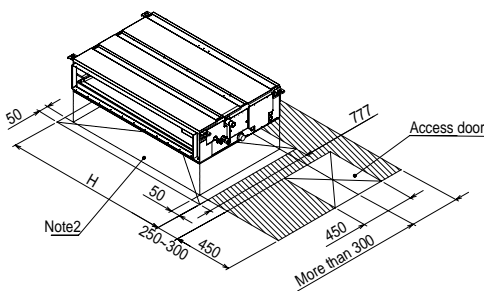
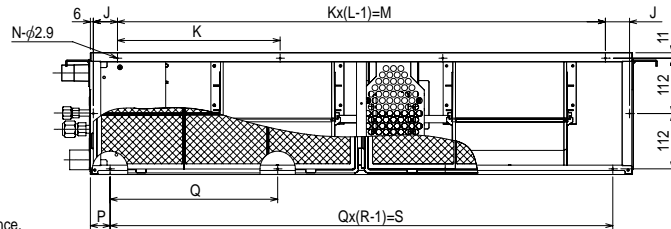
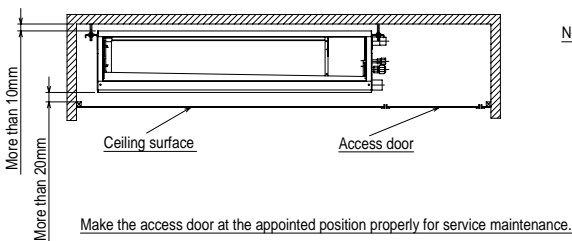
# PEAD-RP50, 60, 71, 100, 125, 140JA

Unit : mm



- NOTE 1. Use M10 screw for the Suspension bolt (field supply).  
 2. Keep the service space for the maintenance at the bottom.  
 3. This chart indicates for PEAD-RP60\*71\*100\*125\*140JA models, which have 2 fans. PEAD-RP50JA models have 1 fan.  
 4. In case that the inlet duct is used, remove the air filter (supplied with the unit), then install the filter (field supply) at suction side.

| Model            | A    | B    | C    | D    | E  | F    | G    | ① Gas pipe | ② Liquid pipe |
|------------------|------|------|------|------|----|------|------|------------|---------------|
| PEAD-RP50JA      | 900  | 954  | 1000 | 860  | 9  | 800  | 858  | φ 12.7     | φ 6.35        |
| PEAD-RP60,71JA   | 1100 | 1154 | 1200 | 1060 | 11 | 1000 | 1058 | φ 15.88    | φ 9.52        |
| PEAD-RP100,125JA | 1400 | 1454 | 1500 | 1360 | 14 | 1300 | 1358 |            |               |
| PEAD-RP140JA     | 1600 | 1654 | 1700 | 1560 | 16 | 1500 | 1558 |            |               |

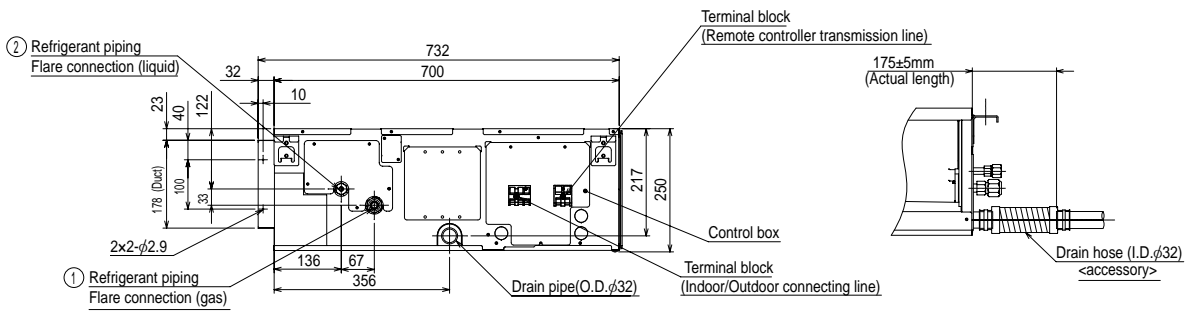
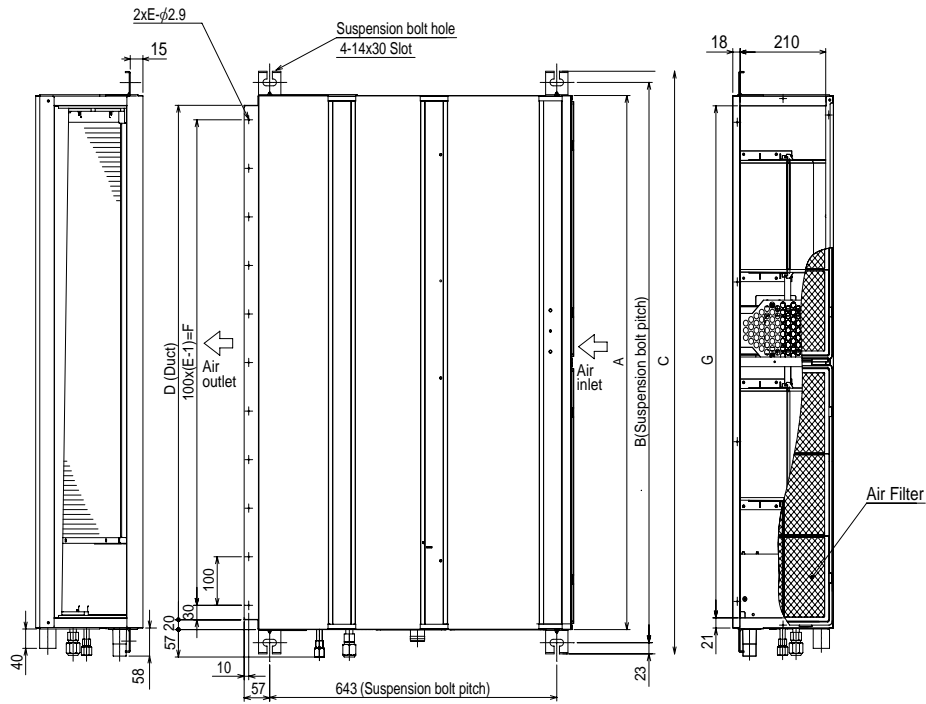


| Model            | H    | J  | K   | L | M    | N  | P    | Q   | R | S    |
|------------------|------|----|-----|---|------|----|------|-----|---|------|
| PEAD-RP50JA      | 1000 | 54 | 260 | 4 | 780  | 10 | 40.5 | 273 | 4 | 819  |
| PEAD-RP60,71JA   | 1200 | 49 | 330 | 4 | 990  | 10 | 40   | 340 | 4 | 1020 |
| PEAD-RP100,125JA | 1500 | 54 | 320 | 5 | 1280 | 12 | 40   | 330 | 5 | 1320 |
| PEAD-RP140JA     | 1700 | 54 | 370 | 5 | 1480 | 12 | 40   | 380 | 5 | 1520 |



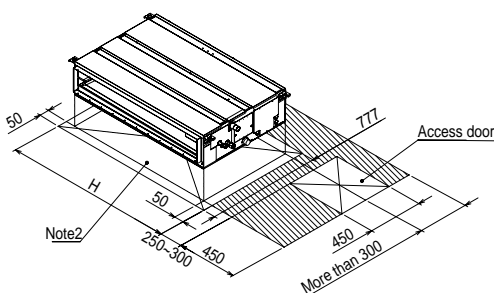
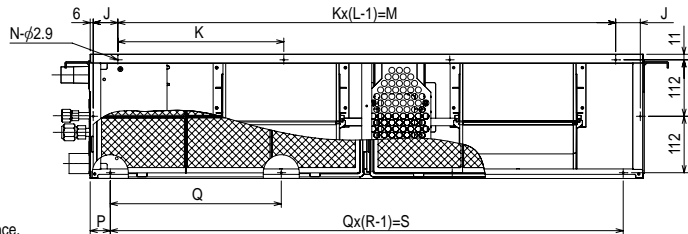
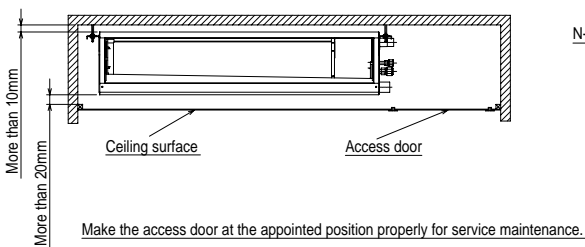
# PEAD-RP50, 60, 71, 100, 125, 140JAL

Unit : mm



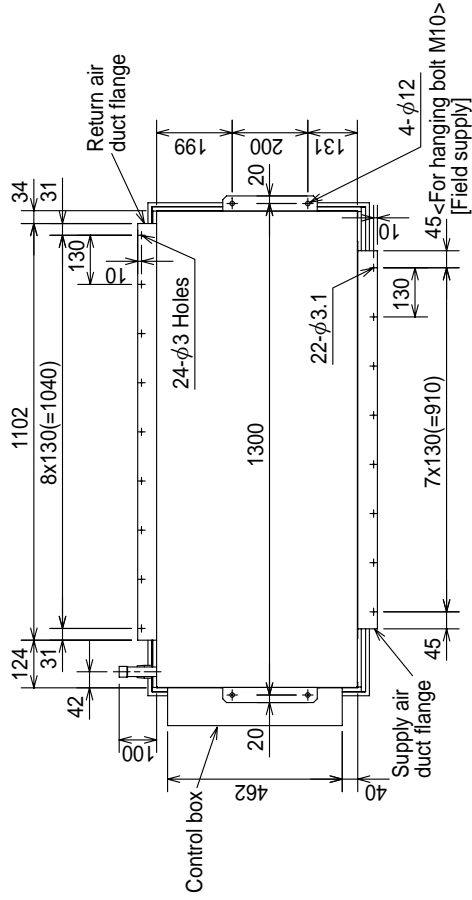
- NOTE 1. Use M10 screw for the Suspension bolt (field supply).  
 2. Keep the service space for the maintenance at the bottom.  
 3. This chart indicates for PEAD-RP60\*71\*100\*125\*140JAL models, which have 2 fans. PEAD-RP50JAL models have 1 fan.  
 4. In case of the inlet duct is used, remove the air filter (supplied with the unit), then install the filter (field supply) at suction side.

| Model             | A    | B    | C    | D    | E  | F    | G    | ① Gas pipe | ② Liquid pipe |
|-------------------|------|------|------|------|----|------|------|------------|---------------|
| PEAD-RP50JAL      | 900  | 954  | 1000 | 860  | 9  | 800  | 858  | φ 12.7     | φ 6.35        |
| PEAD-RP60,71JAL   | 1100 | 1154 | 1200 | 1060 | 11 | 1000 | 1058 |            |               |
| PEAD-RP100,125JAL | 1400 | 1454 | 1500 | 1360 | 14 | 1300 | 1358 | φ 15.88    | φ 9.52        |
| PEAD-RP140JAL     | 1600 | 1654 | 1700 | 1560 | 16 | 1500 | 1558 |            |               |

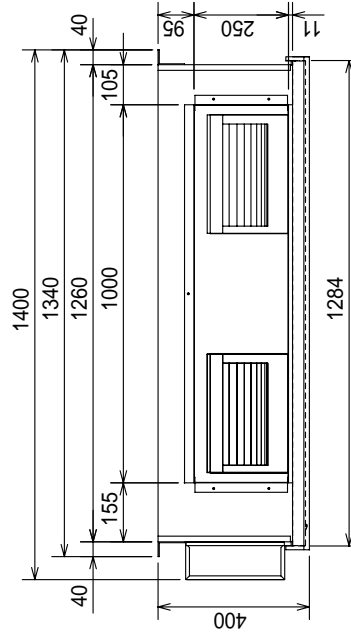


Required space for service and maintenance

| Model             | H    | J  | K   | L | M    | N  | P    | Q   | R | S    |
|-------------------|------|----|-----|---|------|----|------|-----|---|------|
| PEAD-RP50JAL      | 1000 | 54 | 260 | 4 | 780  | 10 | 40.5 | 273 | 4 | 819  |
| PEAD-RP60,71JAL   | 1200 | 49 | 330 | 4 | 990  | 10 | 40   | 340 | 4 | 1020 |
| PEAD-RP100,125JAL | 1500 | 54 | 320 | 5 | 1280 | 12 | 40   | 330 | 5 | 1320 |
| PEAD-RP140JAL     | 1700 | 54 | 370 | 5 | 1480 | 12 | 40   | 380 | 5 | 1520 |

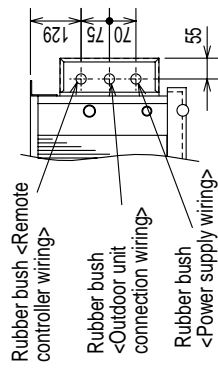


Top view

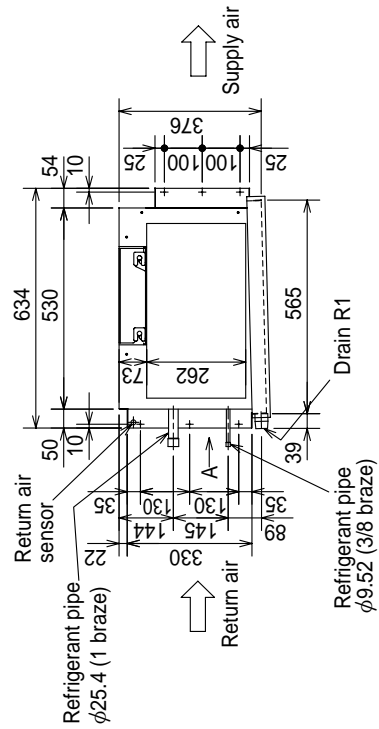


Front view

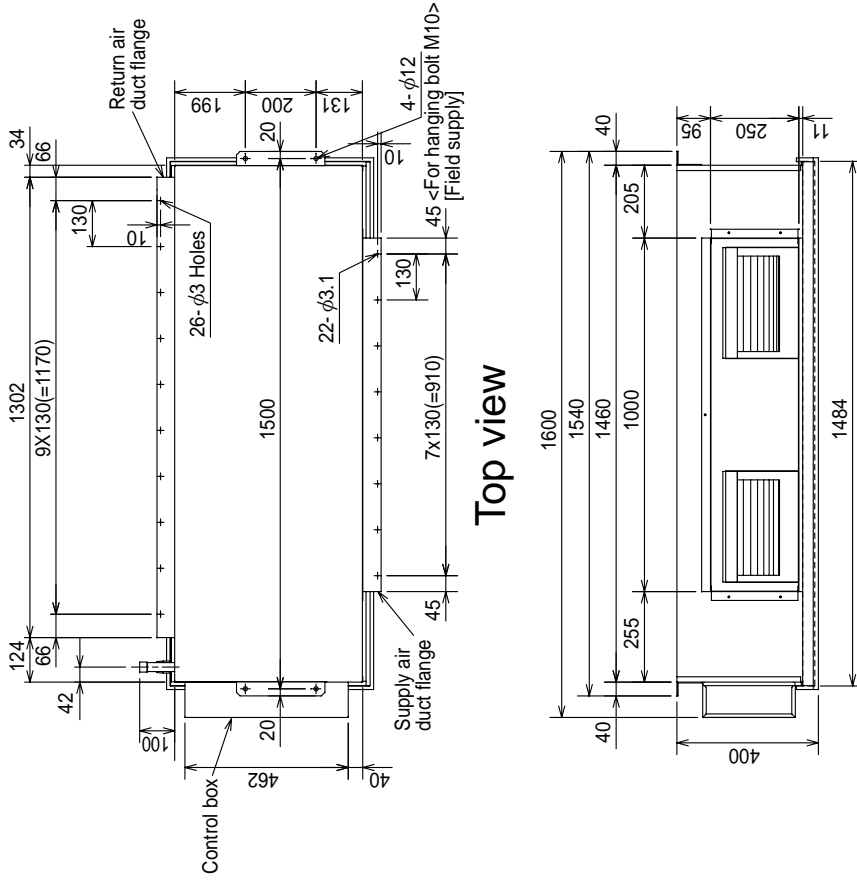
<Accessory>  
 Pipe cover.....2pcs.  
 (For dew condensation prevention of local piping and unit connection)  
 Remote controller.....1pc.



A



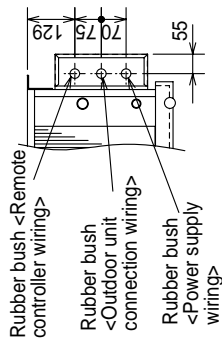
Left side view



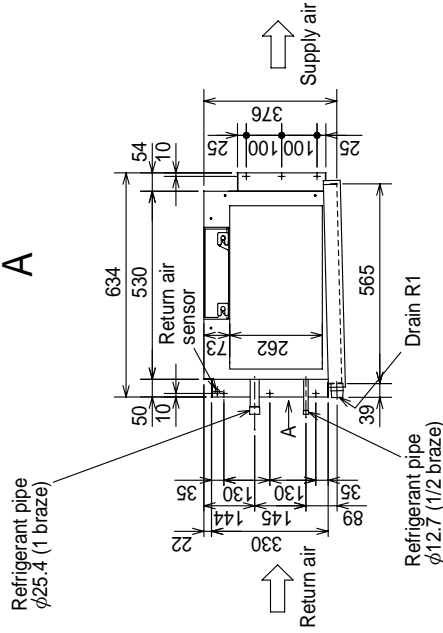
Top view

Front view

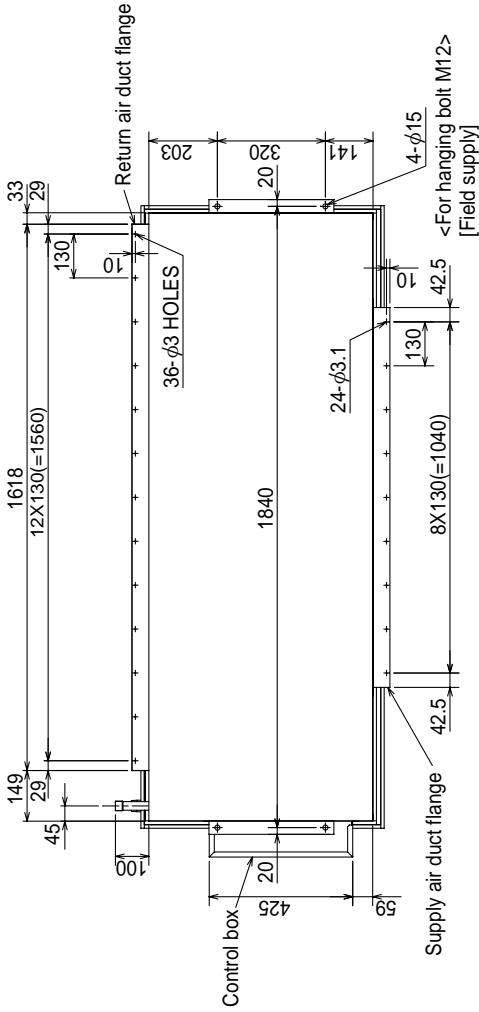
<Accessory>  
 Pipe cover.....2pcs.  
 (For dew condensation prevention of local piping and unit connection)  
 Remote controller.....1pc.



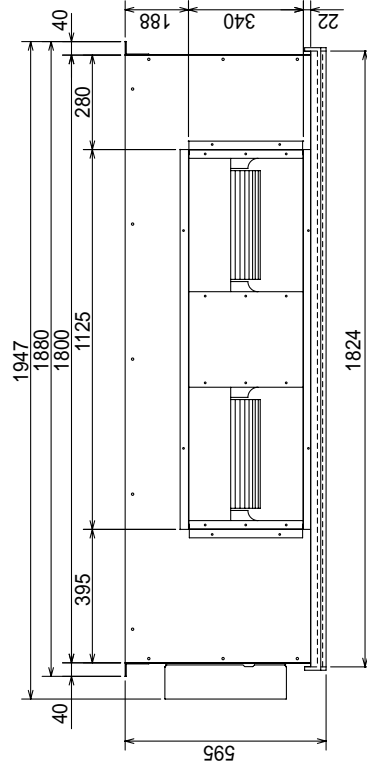
A



Left side view

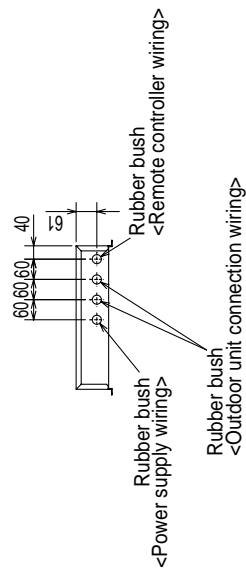


Top view

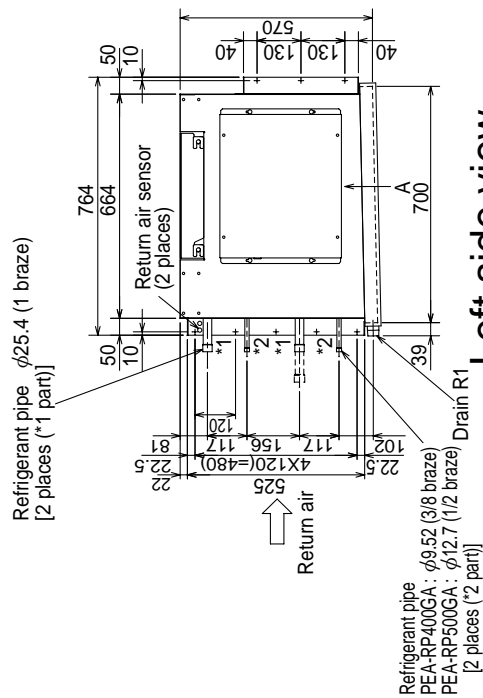


Front view

<Accessory>  
 Pipe cover.....4pcs.  
 (For dew condensation prevention of local piping and unit connection)  
 Remote controller.....1pc.



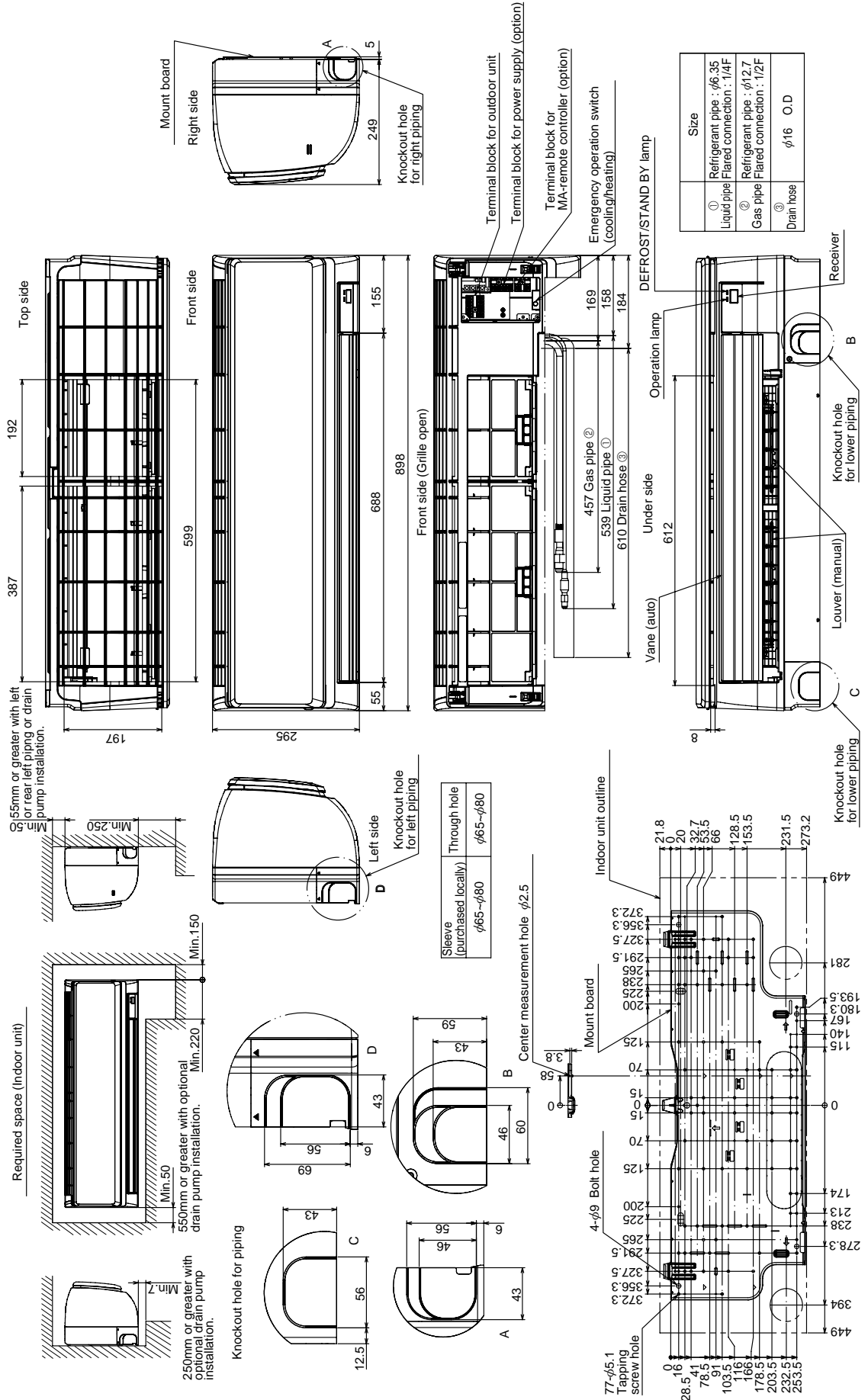
A

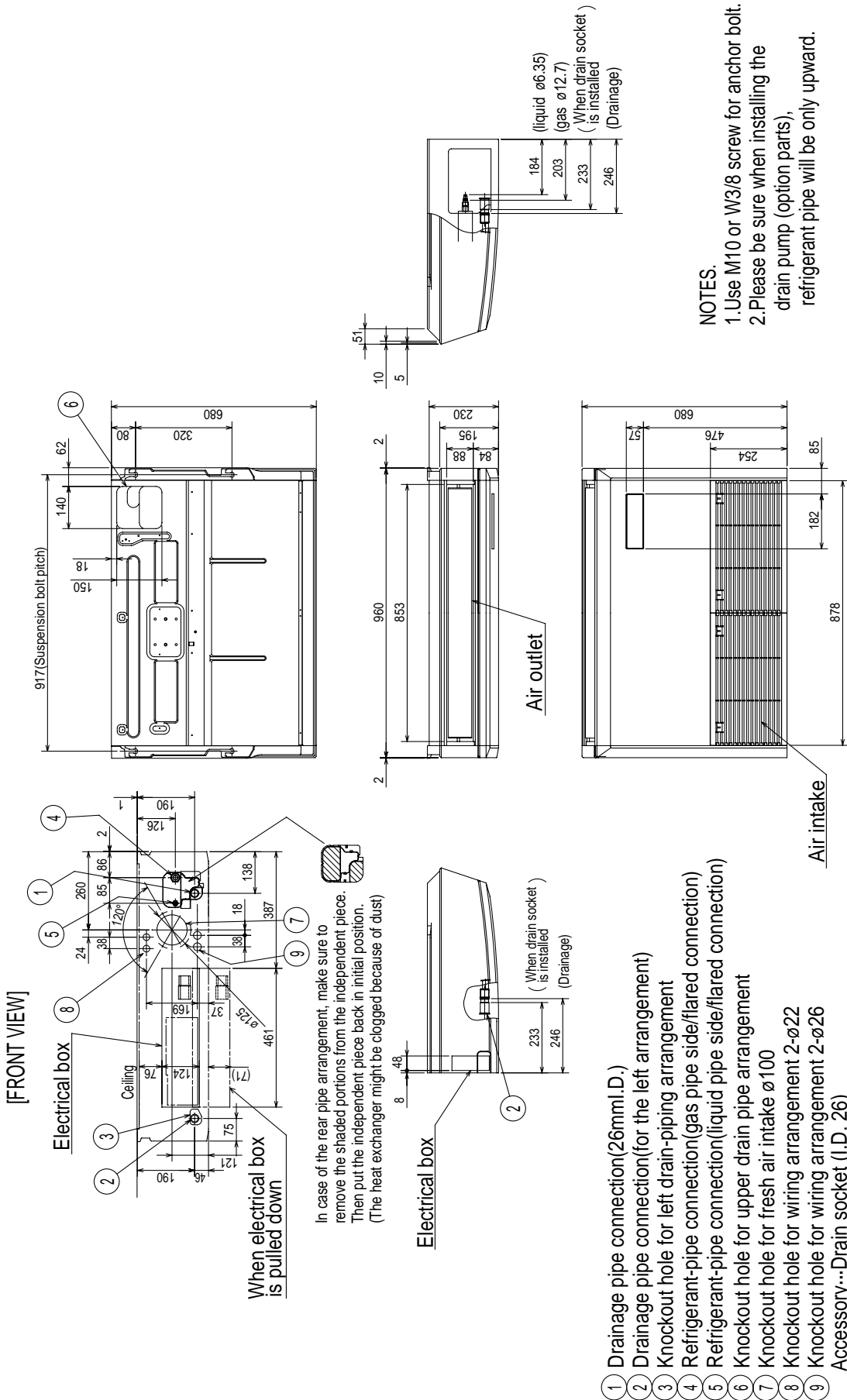


Left side view

# PKA-RP50HAL

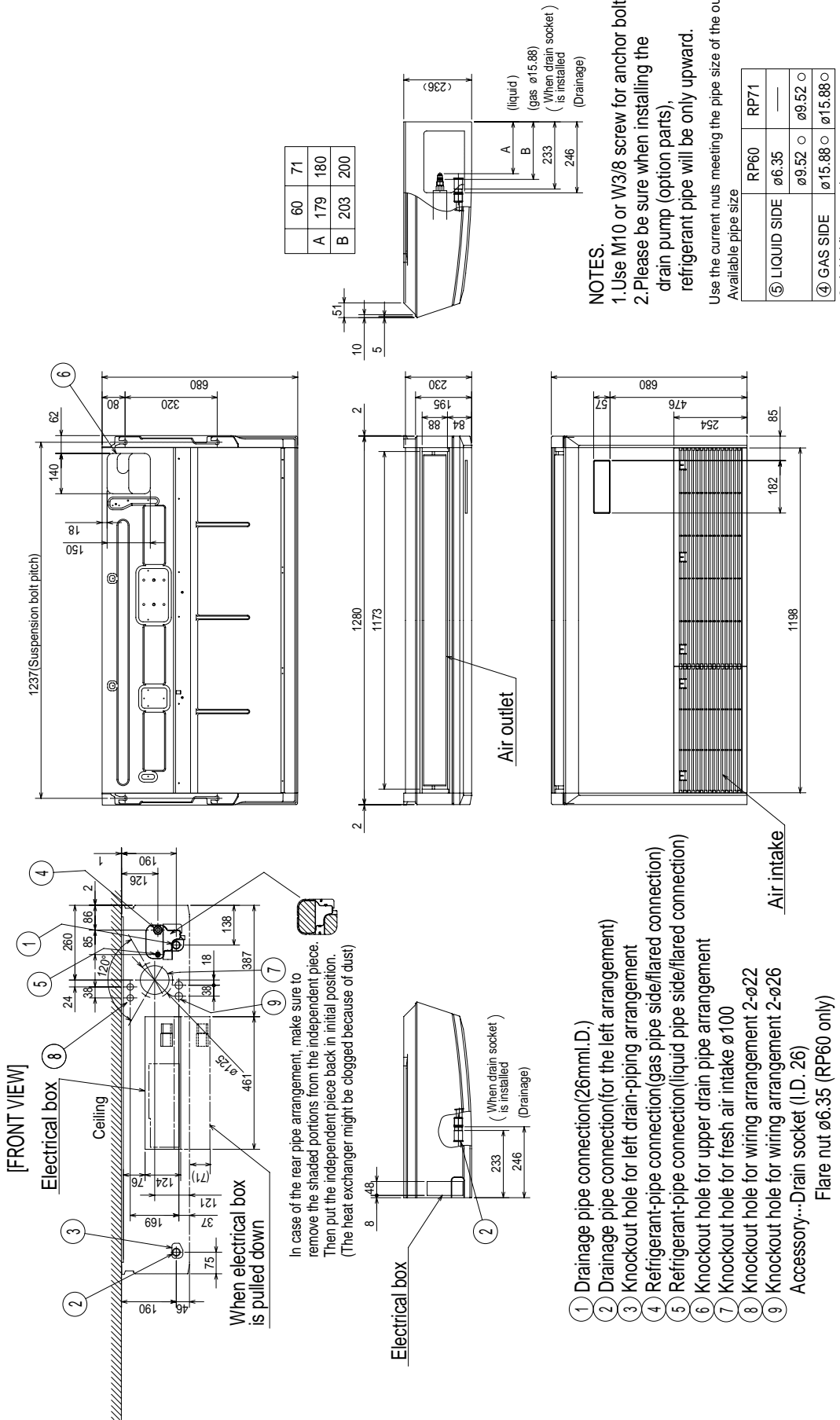
Unit : mm





# PCA-RP60KA PCA-RP71KA

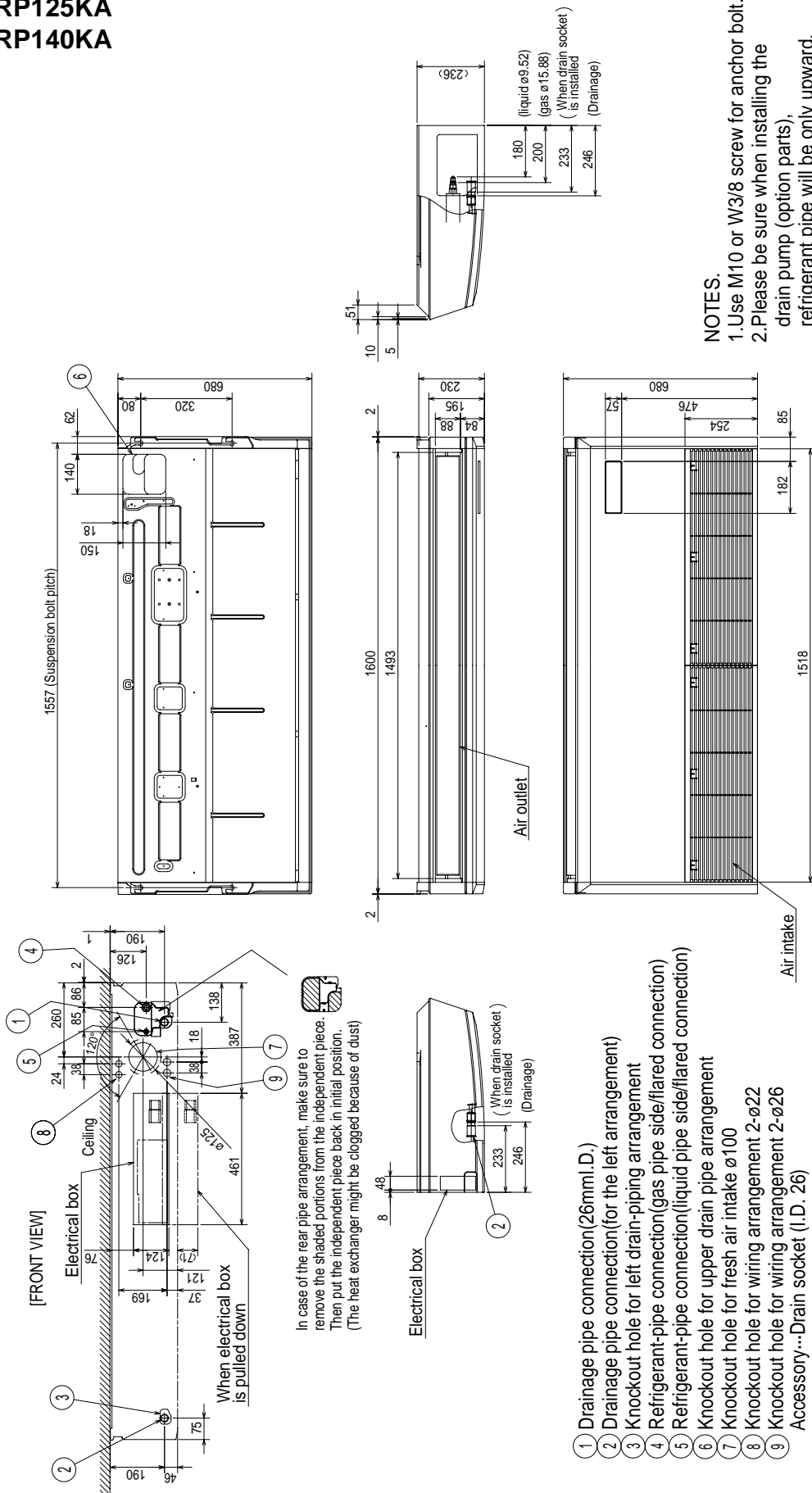
Unit : mm



- ① Drainage pipe connection (26mm I.D.)
  - ② Drainage pipe connection (for the left arrangement)
  - ③ Knockout hole for left drain-piping arrangement
  - ④ Refrigerant-pipe connection (gas pipe side/flared connection)
  - ⑤ Refrigerant-pipe connection (liquid pipe side/flared connection)
  - ⑥ Knockout hole for upper drain pipe arrangement
  - ⑦ Knockout hole for fresh air intake φ100
  - ⑧ Knockout hole for wiring arrangement 2-φ22
  - ⑨ Knockout hole for wiring arrangement 2-φ26
- Accessory... Drain socket (I.D. 26)  
Flare nut φ6.35 (RP60 only)

PCA-RP100KA  
PCA-RP125KA  
PCA-RP140KA

Unit : mm



In case of the rear pipe arrangement, make sure to remove the shaded portions from the independent piece. Then put the independent piece back in initial position. (The heat exchanger might be clogged because of dust)

**NOTES.**  
1. Use M10 or W3/8 screw for anchor bolt.  
2. Please be sure when installing the drain pump (option parts), refrigerant pipe will be only upward.

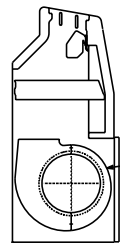
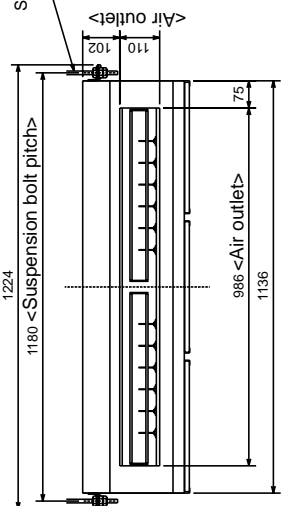
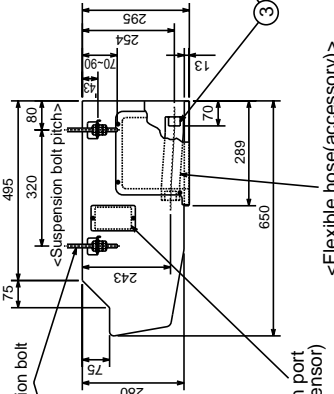
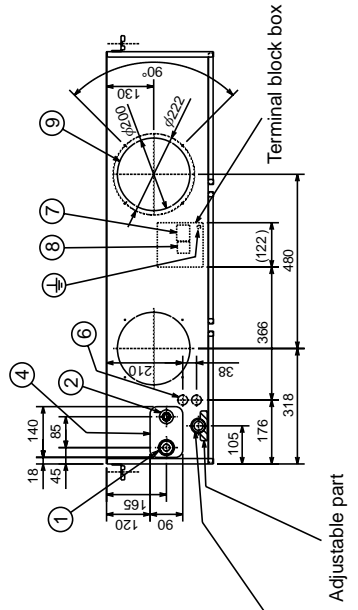
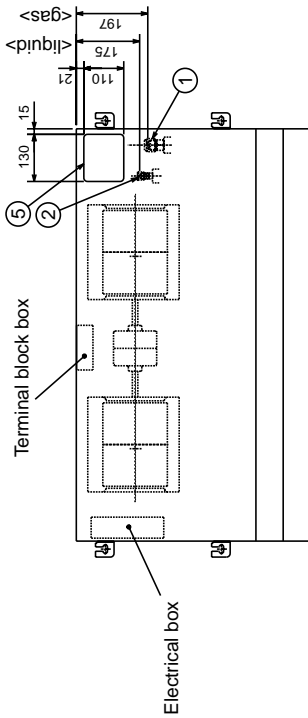
- ① Drainage pipe connection (26mm I.D.)
- ② Drainage pipe connection (for the left arrangement)
- ③ Knockout hole for left drain-piping arrangement
- ④ Refrigerant-pipe connection (gas pipe side/flared connection)
- ⑤ Refrigerant-pipe connection (liquid pipe side/flared connection)
- ⑥ Knockout hole for upper drain pipe arrangement
- ⑦ Knockout hole for fresh air intake  $\phi$ 100
- ⑧ Knockout hole for wiring arrangement 2- $\phi$ 22
- ⑨ Accessory... Drain socket (I.D. 26)



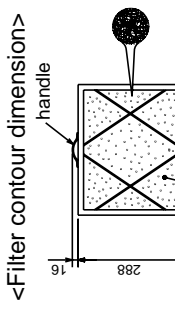
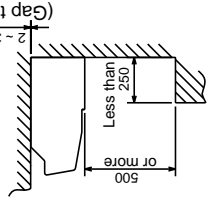
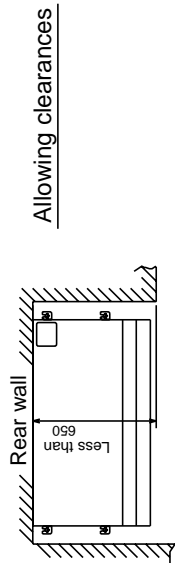
PCA-RP71HA

Unit : mm

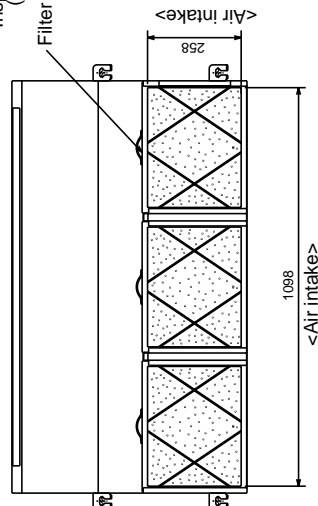
- ① Refrigerant-pipe connection(gas pipe side/flared connection : 5/8 inch)
  - ② Refrigerant-pipe connection(liquid pipe side/flared connection : 3/8 inch)
  - ③ Flexible hose(accessory) → Drainage pipe connection (26mm I.D.)
  - ④ Knockout hole for behind refrigerant-piping arrangement
  - ⑤ Knockout hole for upper refrigerant-pipe arrangement
  - ⑥ Knockout hole for wiring arrangement : 2-φ 27
  - ⑦ Terminal block(indoor/outdoor connecting line)
  - ⑧ Terminal block(remote controller)
  - ⑨ Knockout hole (duct for fresh air intake): 2-φ 200
- Optional parts: duct flange(φ 200). model: PAC-SF28OF-E(1 pc.)



The half bottom of FAN CASING can be separated.



Filter element for the exchange model: PAC-SG38KF-E (12pcs.)

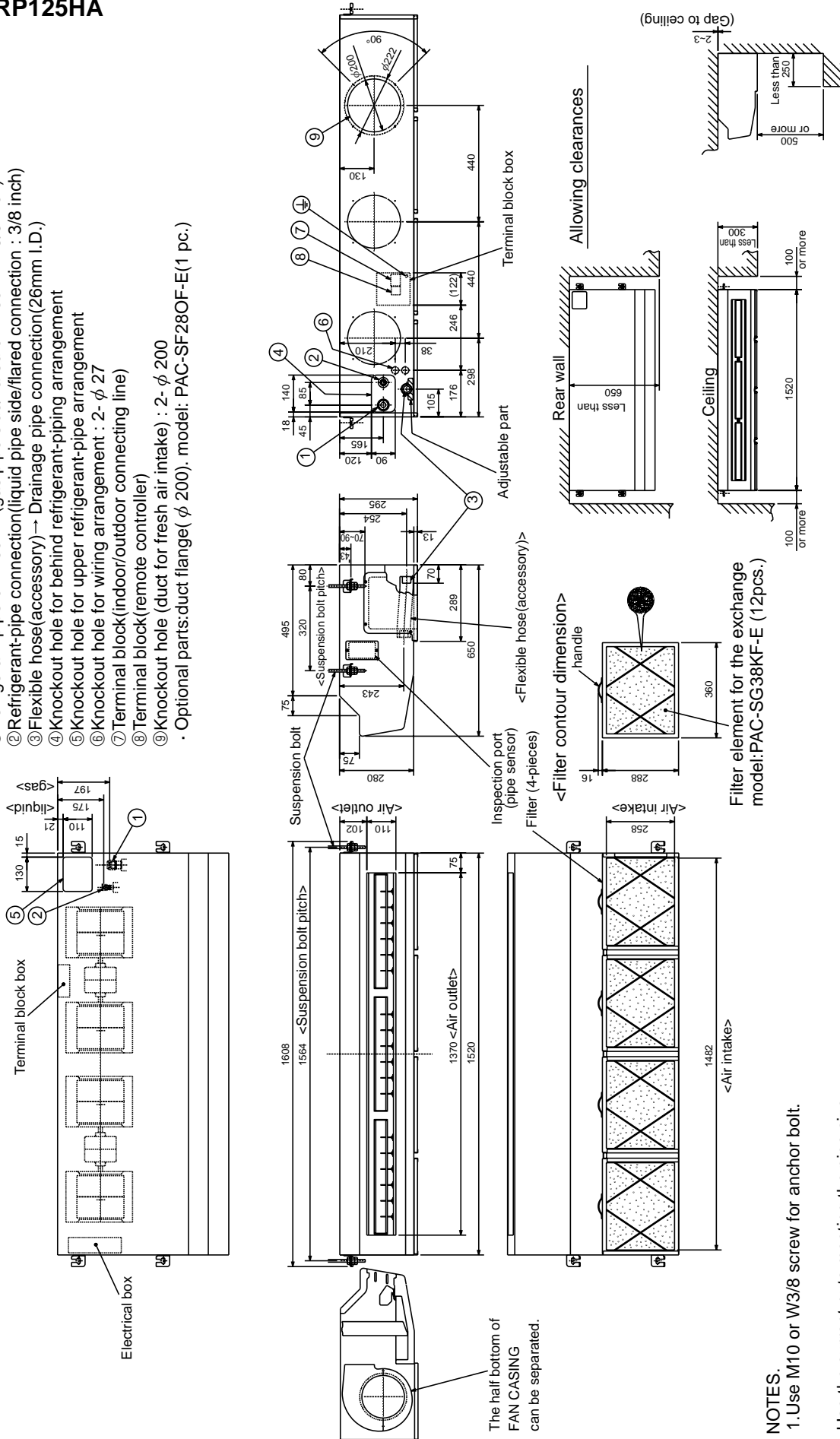


NOTES.  
1. Use M10 or W3/8 screw for anchor bolt.

# PCA-RP125HA

Unit : mm

- ① Refrigerant-pipe connection (gas pipe side/flared connection : 5/8 inch)
  - ② Refrigerant-pipe connection (liquid pipe side/flared connection : 3/8 inch)
  - ③ Flexible hose (accessory) → Drainage pipe connection (26mm I.D.)
  - ④ Knockout hole for behind refrigerant-piping arrangement
  - ⑤ Knockout hole for upper refrigerant-pipe arrangement
  - ⑥ Knockout hole for wiring arrangement : 2-φ 27
  - ⑦ Terminal block (indoor/outdoor connecting line)
  - ⑧ Terminal block (remote controller)
  - ⑨ Knockout hole (duct for fresh air intake) : 2-φ 200
- Optional parts: duct flange (φ 200), model: PAC-SF28OF-E (1 pc.)

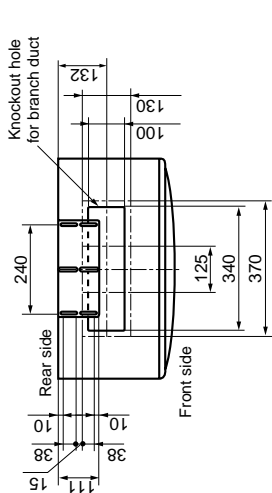


**NOTES.**  
 1. Use M10 or W3/8 screw for anchor bolt.  
 Use the current nuts meeting the pipe size of the outdoor unit.

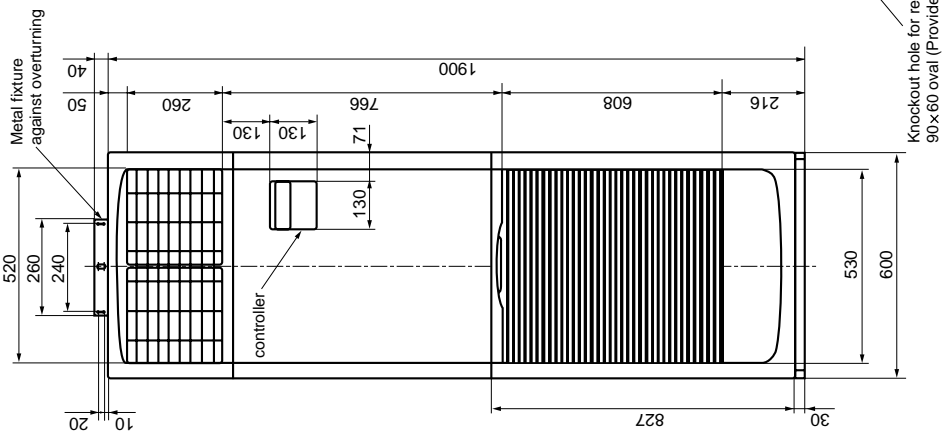
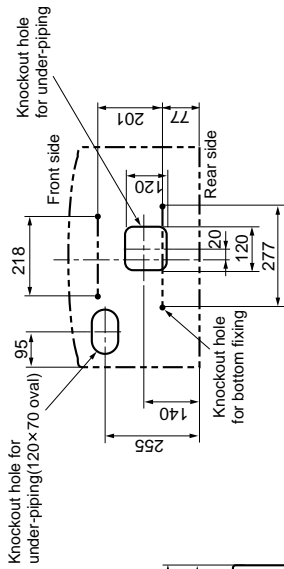


PSA-RP100GA  
PSA-RP125GA  
PSA-RP140GA

Unit : mm



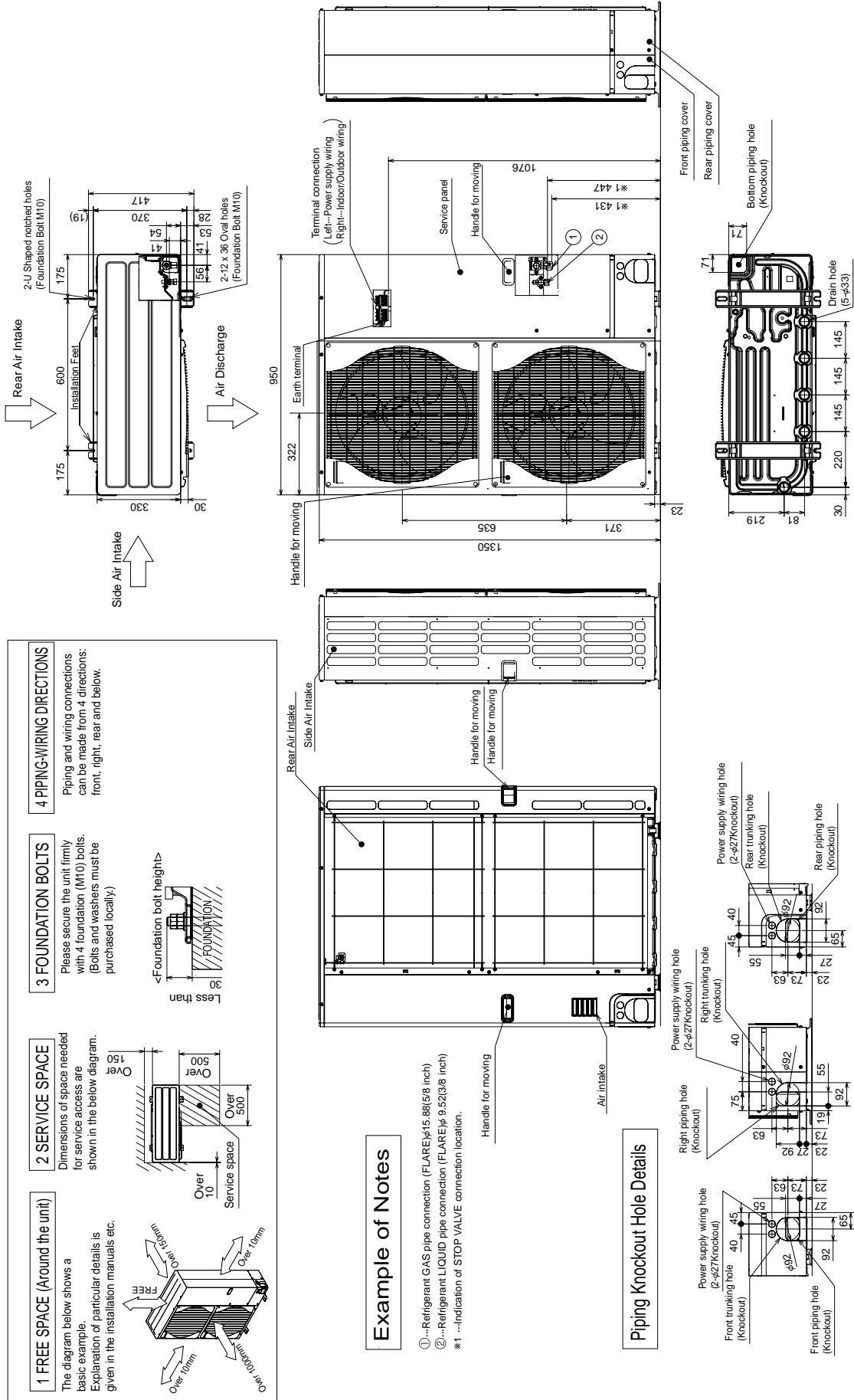
VIEW "A"





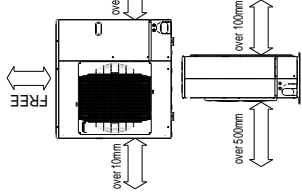
**PUHZ-P125VHA3**  
**PUHZ-P140VHA3**

Unit : mm



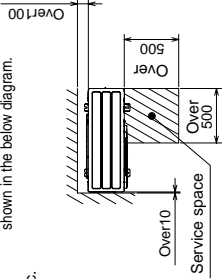
**1 FREE SPACE (Around the unit)**

The diagram below shows a basic example. Explanation of particular details is given in the installation manuals etc.



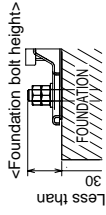
**2 SERVICE SPACE**

Dimensions of space needed for service access are shown in the below diagram.



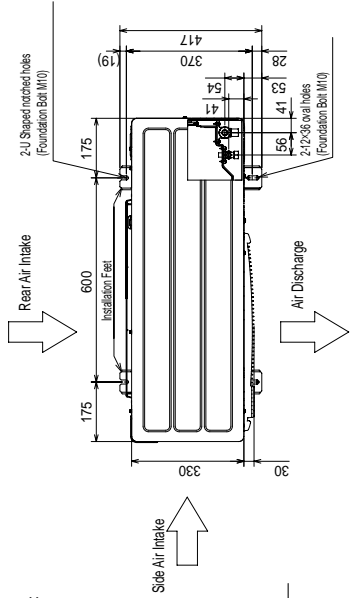
**3 FOUNDATION BOLTS**

Please secure the unit firmly with 4 foundation (M10) bolts. (Bolts and washers must be purchased locally.)



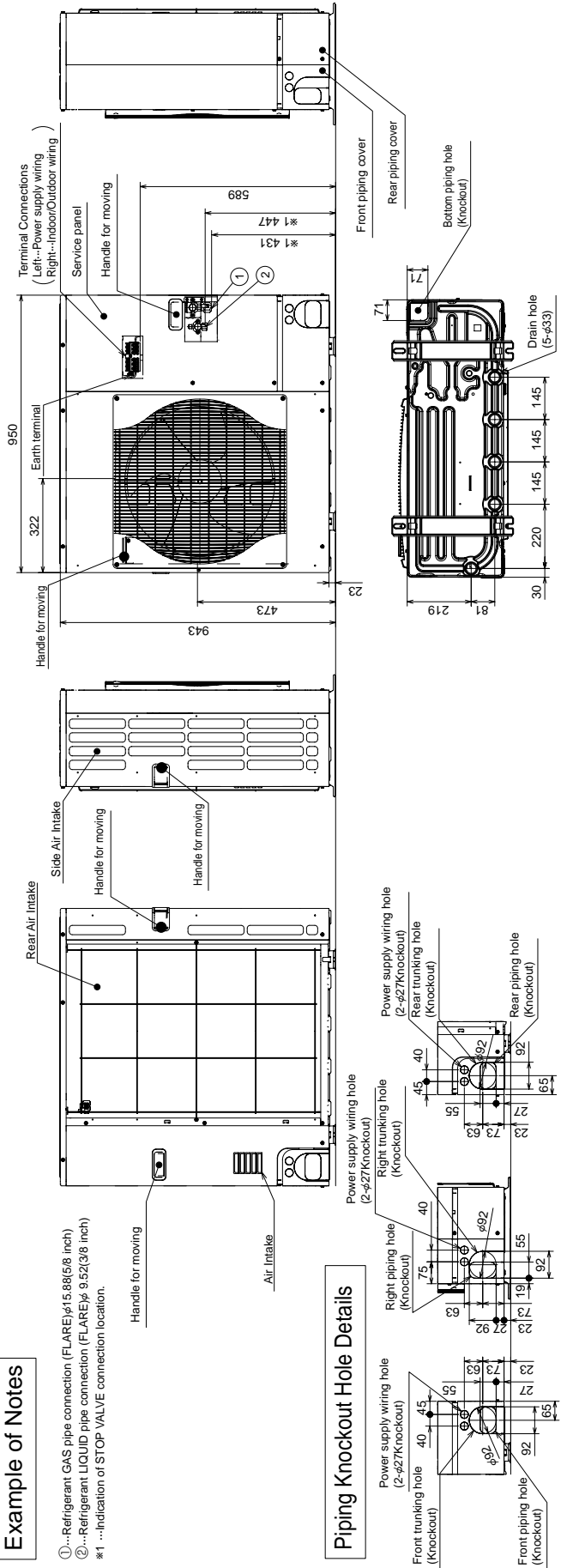
**4 PIPING-WIRING DIRECTIONS**

Piping and wiring connections can be made from 4 directions: front, right rear and below.

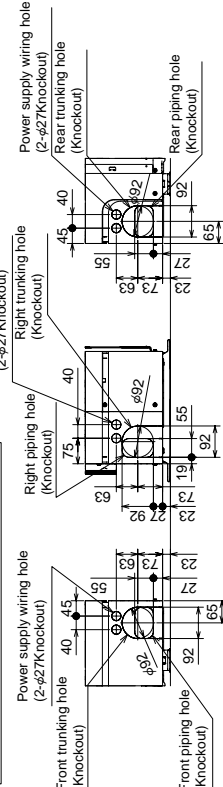


**Example of Notes**

- ①...Refrigerant GAS pipe connection (FLARE)φ15.88(5/8 inch)
- ②...Refrigerant LIQUID pipe connection (FLARE)φ 9.52(3/8 inch)
- \*1 ...Indication of STOP VALVE connection location.

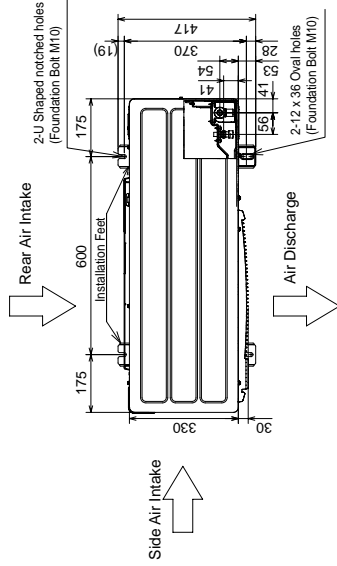


**Piping Knockout Hole Details**



**PUHZ-P125YHA  
PUHZ-P140YHA**

Unit : mm(inch)

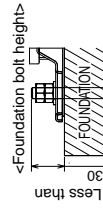


**4 PIPING-WIRING DIRECTIONS**

Piping and wiring connections can be made from 4 directions: front, right, rear and below.

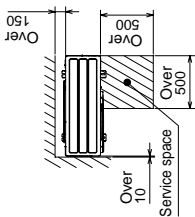
**3 FOUNDATION BOLTS**

Please secure the unit firmly with 4 foundation (M10) bolts. (Bolts and washers must be purchased locally).



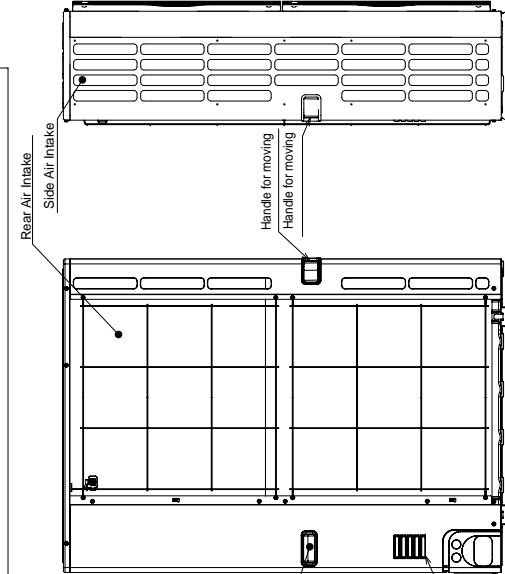
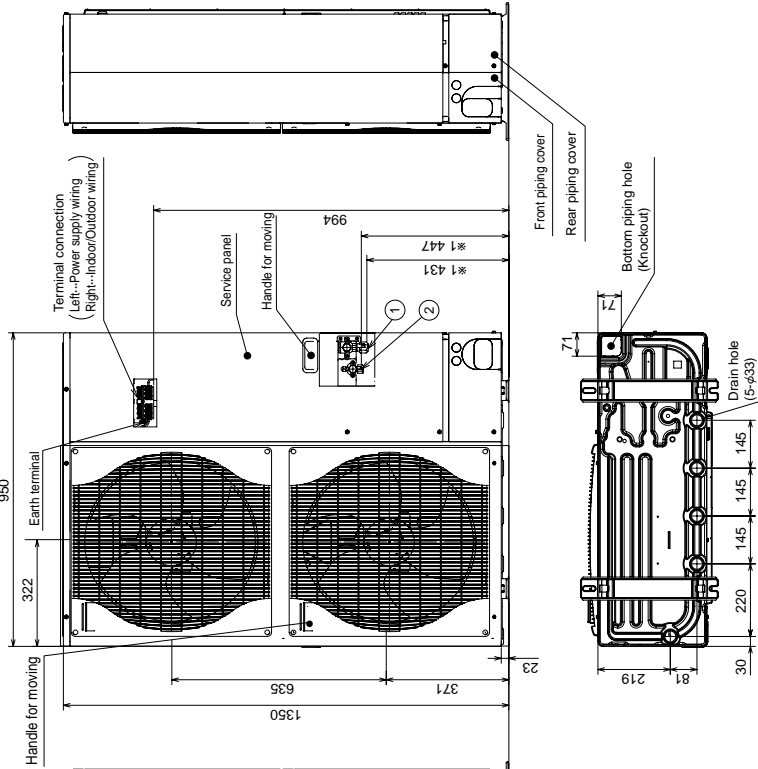
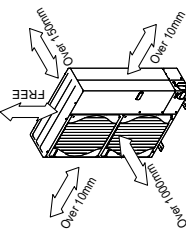
**2 SERVICE SPACE**

Dimensions of space needed for service access are shown in the below diagram.



**1 FREE SPACE (Around the unit)**

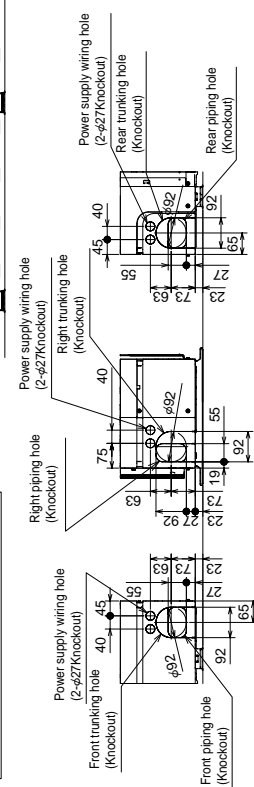
The diagram below shows a basic example. Explanation of particular details is given in the installation manuals etc.



**Example of Notes**

- ①...Refrigerant GAS pipe connection (FLARE)φ15.88(5/8 inch)
- ②...Refrigerant LIQUID pipe connection (FLARE)φ9.52(3/8 inch)
- #1 ...Indication of STOP VALVE connection location.

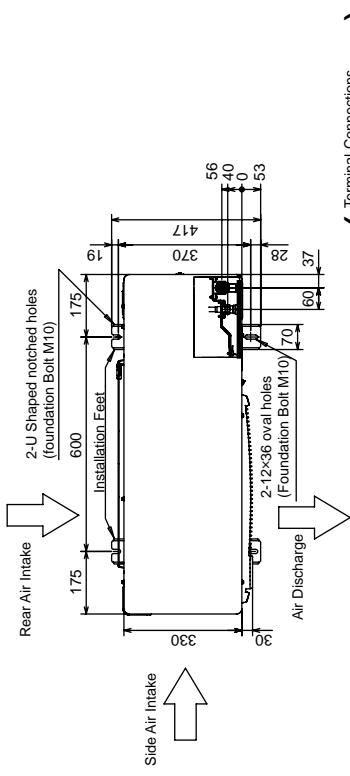
**Piping Knockout Hole Details**





# PUHZ-P200YHA3 PUHZ-P250YHA3

Unit : mm



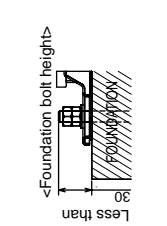
### 1 FREE SPACE (Around the unit)

The diagram below shows a basic example.  
Explanation of particular details are given in the installation manuals etc.



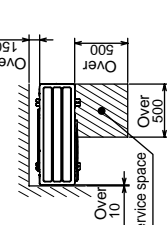
### 2 SERVICE SPACE

Dimensions of space needed for service access are shown in the below diagram.



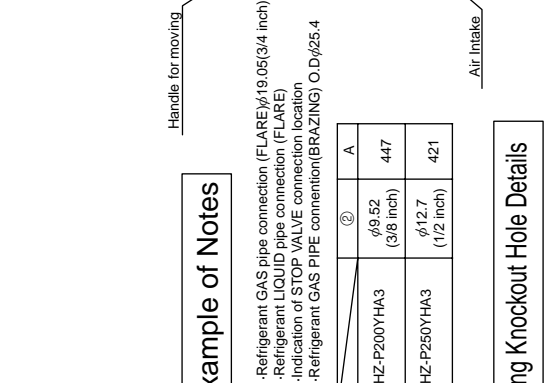
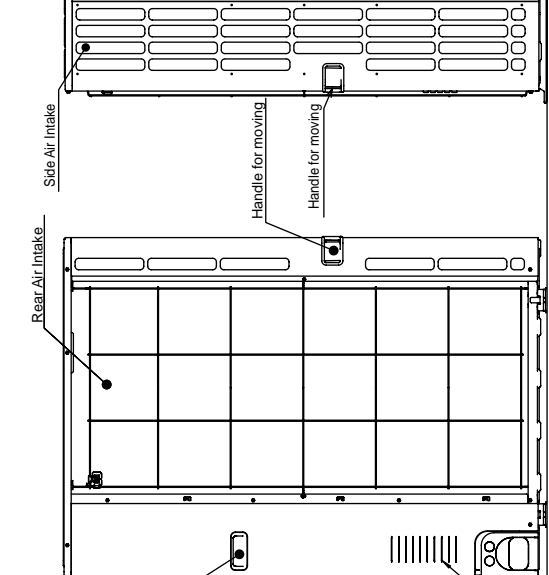
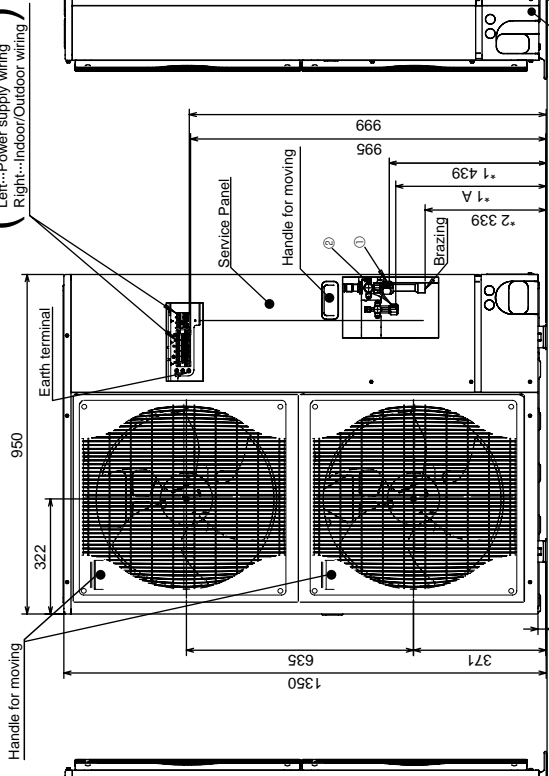
### 3 FOUNDATION BOLTS

Please secure the unit firmly with 4 foundation (M10) bolts. (Bolts and washers must be purchased locally)



### 4 PIPING-WIRING DIRECTIONS

Piping and wiring connections can be made from 4 directions: front, right, rear and below.

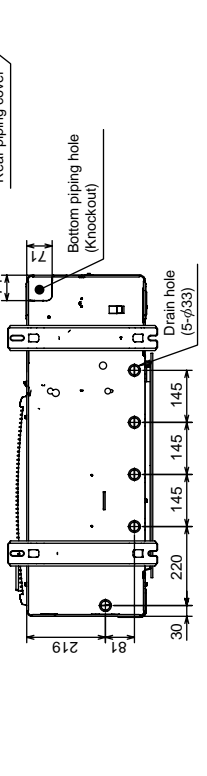
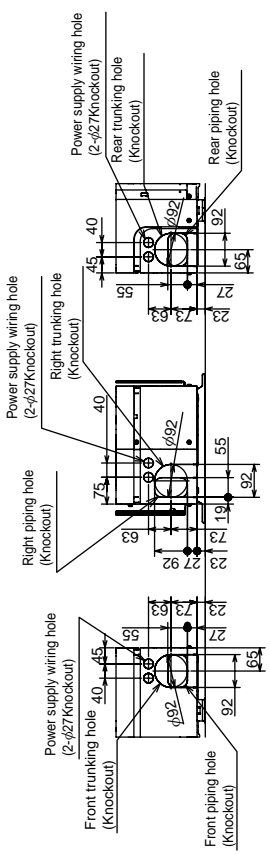


### Example of Notes

- ①... Refrigerant GAS pipe connection (FLARE)(19.05(3/4 inch))
- ②... Refrigerant LIQUID pipe connection (FLARE)
- \*1... Indication of STOP VALVE connection location
- \*2... Refrigerant GAS PIPE connection(BRAZING) O.D./25.4

|               | ②                   | A   |
|---------------|---------------------|-----|
| PUHZ-P200YHA3 | φ9.52<br>(3/8 inch) | 447 |
| PUHZ-P250YHA3 | φ12.7<br>(1/2 inch) | 421 |

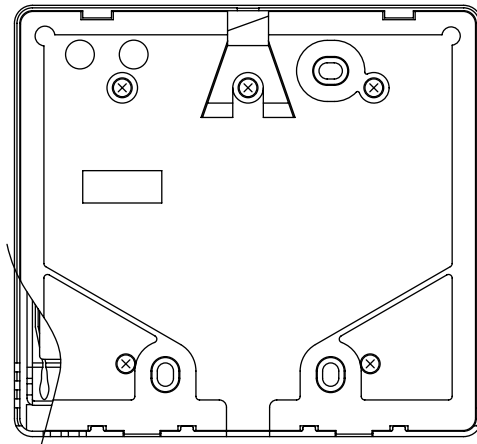
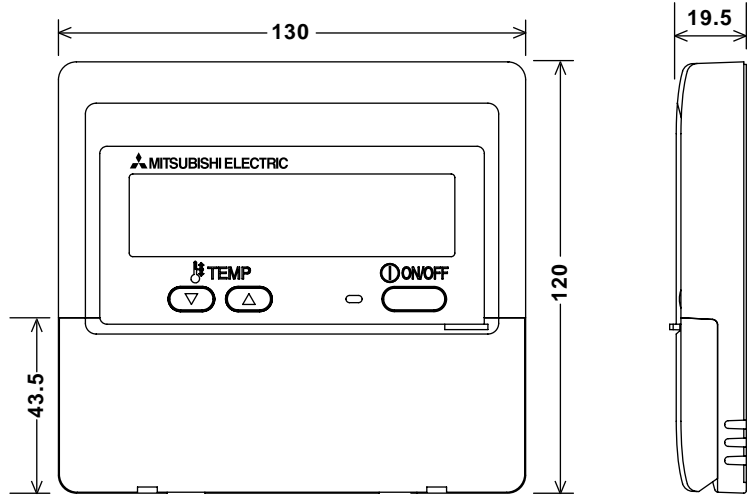
### Piping Knockout Hole Details





**WIRED REMOTE CONTROLLER**

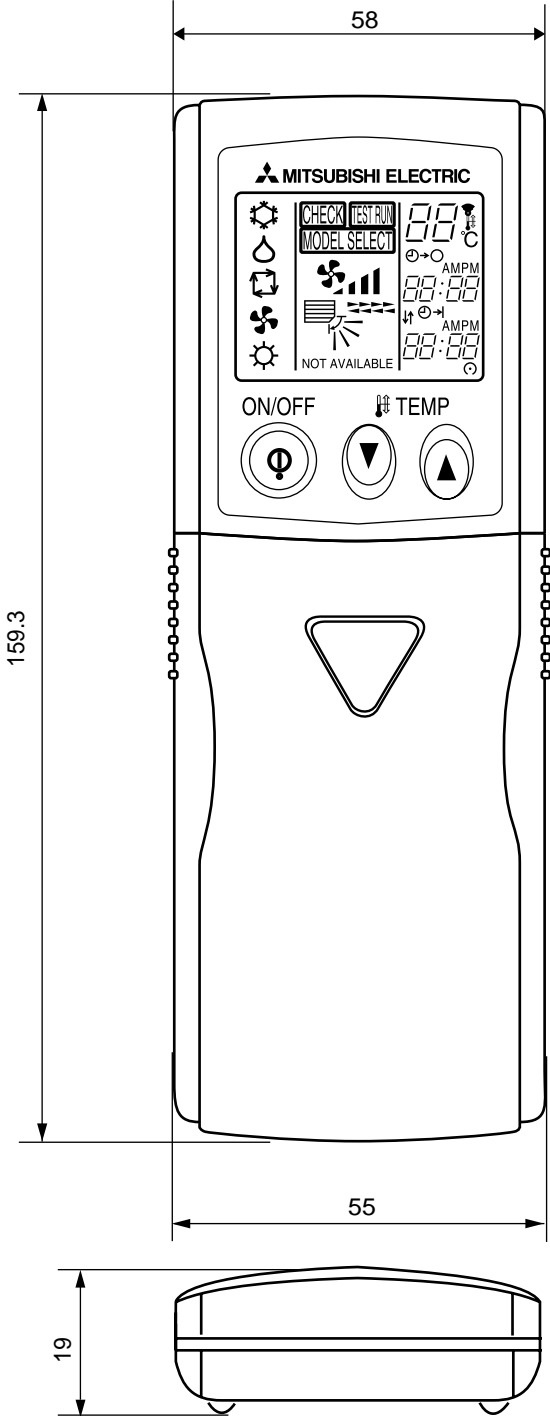
Unit : mm





**WIRELESS REMOTE CONTROLLER**

Unit : mm



## 4-1. INDOOR UNIT

PLA-RP50BA

PLA-RP60BA

PLA-RP71BA

PLA-RP100BA

PLA-RP125BA

PLA-RP71BA2

PLA-RP100BA3

PLA-RP125BA2

PLA-RP140BA2

<Table 1> SW1 (MODEL SELECTION)

| SW1                          |         |
|------------------------------|---------|
| MODELS                       | SETTING |
| PLA-RP-BA                    |         |
| PLA-RP71/125BA2              |         |
| PLA-RP140BA2<br>PLA-RP100BA3 |         |

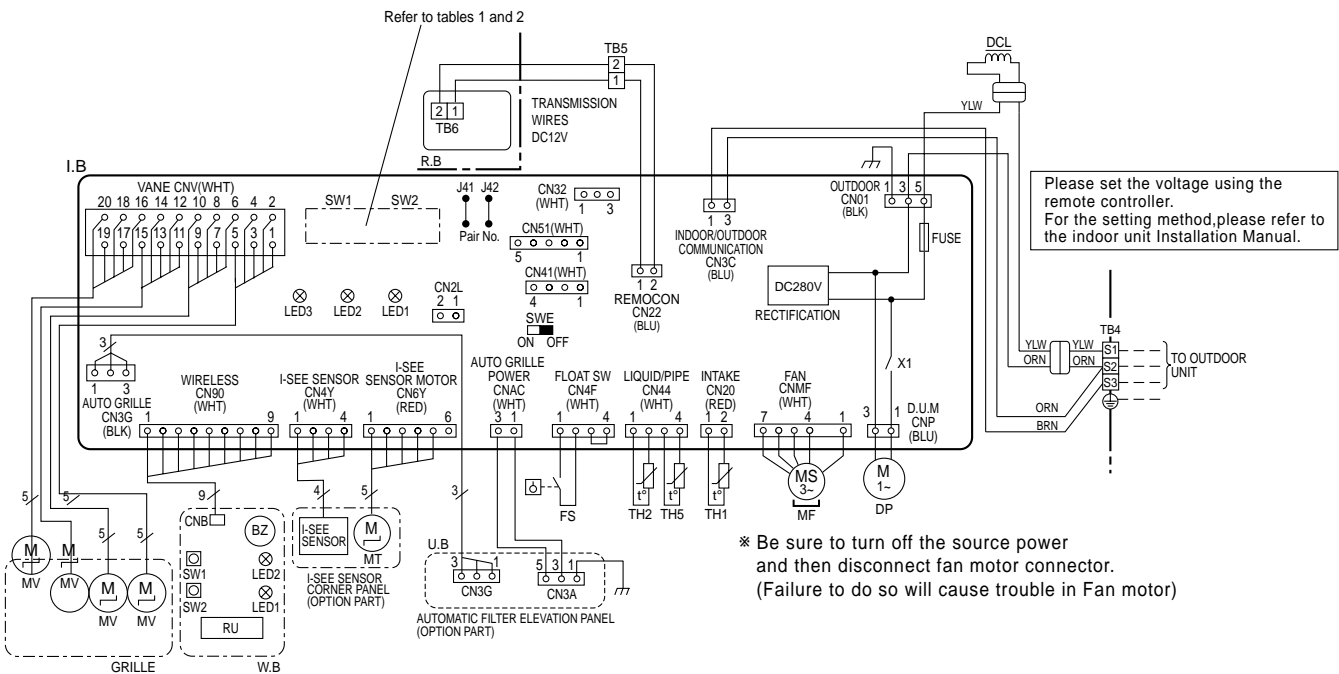
<Table 2> SW2 (CAPACITY CODE)

| SW2      |         |          |         |
|----------|---------|----------|---------|
| CAPACITY | SETTING | CAPACITY | SETTING |
| 50       |         | 100      |         |
| 60       |         | 125      |         |
| 71       |         | 140      |         |

The black square (■) indicates a switch position.

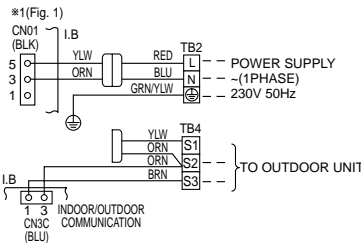
[LEGEND]

| SYMBOL | NAME                                  | SYMBOL      | NAME   |
|--------|---------------------------------------|-------------|--|
| I.B    | INDOOR CONTROLLER BOARD               | TB2         | TERMINAL BLOCK (Indoor unit Power (option))                      |
| CN2L   | CONNECTOR (LOSSNAY)                   | TB4         | TERMINAL BLOCK (INDOOR/OUTDOOR CONNECTING LINE)                  |
| CN32   | CONNECTOR (REMOTE SWITCH)             | TB5, TB6    | TERMINAL BLOCK (REMOTE CONTROLLER TRANSMISSION LINE)             |
| CN41   | CONNECTOR (HA TERMINAL-A)             | TH1         | ROOM TEMP. THERMISTOR (0°C / 15kΩ, 25°C / 5. 4kΩ DETECT)         |
| CN51   | CONNECTOR (CENTRALLY CONTROL)         | TH2         | PIPE TEMP. THERMISTOR/LIQUID (0°C / 15kΩ, 25°C / 5. 4kΩ DETECT)  |
| FUSE   | FUSE (T6.3A/250V)                     | TH5         | COND. / EVA. TEMP. THERMISTOR (0°C / 15kΩ, 25°C / 5. 4kΩ DETECT) |
| LED1   | POWER SUPPLY (I.B)                    | OPTION PART |  |
| LED2   | POWER SUPPLY (R.B)                    | W.B         | PCB FOR WIRELESS REMOTE CONTROLLER                               |
| LED3   | TRANSMISSION (INDOOR-OUTDOOR)         | BZ          | BUZZER   |
| SW1    | SWITCH (MODEL SELECTION) *See table 1 | LED1        | LED (OPERATION INDICATION : GREEN)                               |
| SW2    | SWITCH (CAPACITY CODE) *See table 2   | LED2        | LED (PREPARATION FOR HEATING : ORANGE)                           |
| SWE    | CONNECTOR (EMERGENCY OPERATION)       | RU          | RECEIVING UNIT   |
| X1     | RELAY (DRAIN PUMP)                    | SW1         | EMERGENCY OPERATION (HEAT / DOWN)                                |
| DCL    | REACTOR                               | SW2         | EMERGENCY OPERATION (COOL / UP)                                  |
| DP     | DRAIN-UP MACHINE                      |             |  |
| FS     | DRAIN FLOAT SWITCH                    |             |  |
| MF     | FAN MOTOR                             |             |  |
| MV     | VANE MOTOR                            |             |  |



Notes:

- Symbols used in wiring diagram above are: : Connector, : Terminal (block).
- Indoor and outdoor connecting wires have polarities, make sure to match terminal numbers (S1, S2, S3) for correct wirings.
- Since the outdoor side electric wiring may change, be sure to check the outdoor unit electric wiring diagram for servicing.
- This diagram shows the wiring of indoor and outdoor connecting wires (specification of 230V), adopting superimposed system for power and signal.
  - \*1: If indoor and outdoor units have separate power supplies, refer to Fig 1.
  - \*2: For power supply system of this unit, refer to the caution label located near this diagram.





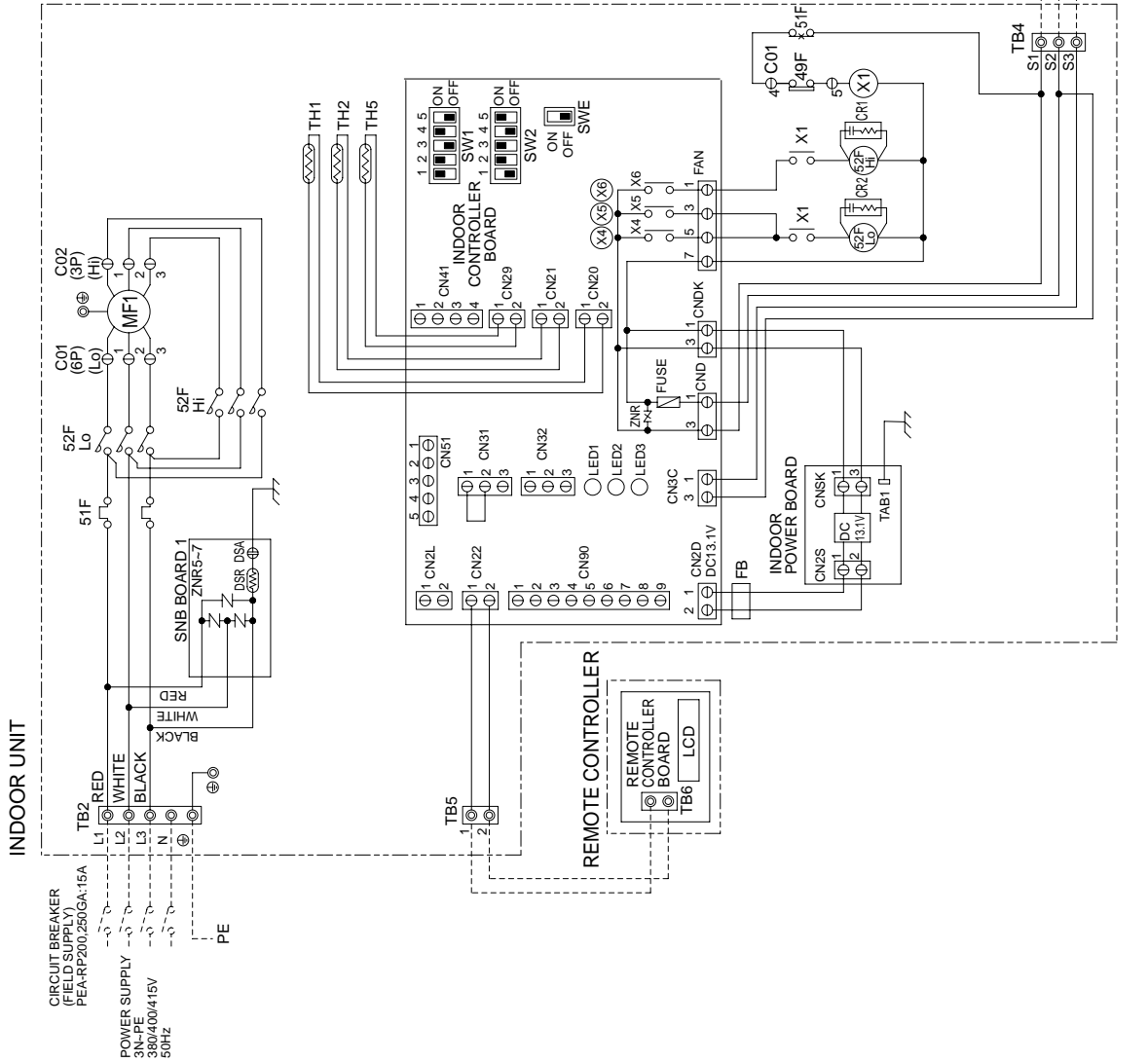
# PEA-RP200, 250GA

| INDOOR UNIT SYMBOL | NAME  |
|--------------------|---|
| MF1                | FAN MOTOR (INDOOR)                                |
| 51F                | OVER CURRENT RELAY (INDOOR FAN MOTOR)             |
| 52FLo              | MAGNETIC CONTACTOR (INDOOR FAN MOTOR<LOW SPEED>)  |
| 52FHi              | MAGNETIC CONTACTOR (INDOOR FAN MOTOR<HIGH SPEED>) |
| 49F                | INTERNAL THERMOSTAT (INDOOR FAN MOTOR)            |
| TB2.4.5            | TERMINAL BLOCK                                    |
| TH1                | ROOM TEMP.  |
| TH2                | LIQUID PIPE TEMP.                                 |
| TH5                | COND./EVA. TEMP.                                  |
| X1                 | AUXILIARY RELAY                                   |
| CR1.2              | SURGE KILLER                                      |
| FB                 | FERRITE CORE                                      |
|                    | FUSE (T6.3AL250V)                                 |
|                    | VARIABLE RESISTOR                                 |
| X4-6               | AUXILIARY RELAY                                   |
| SW1                | SWITCH (MODEL SELECTION)                          |
| SW2                | SWITCH (CAPACITY CODE)                            |
| SWE                | CONNECTOR (EMERGENCY OPERATION)                   |
| LED1               | LED (POWER SUPPLY)                                |
| LED2               | LED (POWER SUPPLY<REMOTE CONTROLLER>)             |
| LED3               | LED (TRANSMISSION<INDOOR-OUTDOOR>)                |
| CN2L               | CONNECTOR (LOSSNAY)                               |
| CN31               | CONNECTOR (DRAIN SENSOR)                          |
| CN32               | CONNECTOR (REMOTE SWITCH)                         |
| CN41               | CONNECTOR (HA TERMINAL-A)                         |
| CN51               | CONNECTOR (CENTRALLY CONTROL)                     |
| CN90               | CONNECTOR (WIRELESS REMOTE CONTROLLER)            |
| ZNR5-7             | VARIABLE RESISTOR                                 |
| DSA.DSR            | ARRESTER  |

| REMOTE CONTROLLER SYMBOL | NAME           |
|--------------------------|----------------|
| TB6                      | TERMINAL BLOCK |

- Note:1. The dotted lines show field wiring.  
 2. Color of earth wire is yellow and green twisting.  
 3. Specification subject to change without notice.  
 4. Indoor and outdoor connecting wires have polarities, make sure to match wiring and terminal.  
 5. Emergency operation  
 If a trouble occurs with either the remote controller or the indoor microcomputer and no other trouble exists, emergency operation for cooling or heating can be performed by changing the setting of connector (SWE) "ON" on the indoor controller board.  
 SWE : ON / Indoor fan is running at high speed.  
 6. ⊕ mark is connector. ⊙ mark is terminal.

- Caution,  
 1. To protect fan motor from abnormal current, overcurrent relays are installed. Therefore, do not change factory set value of overcurrent relays.



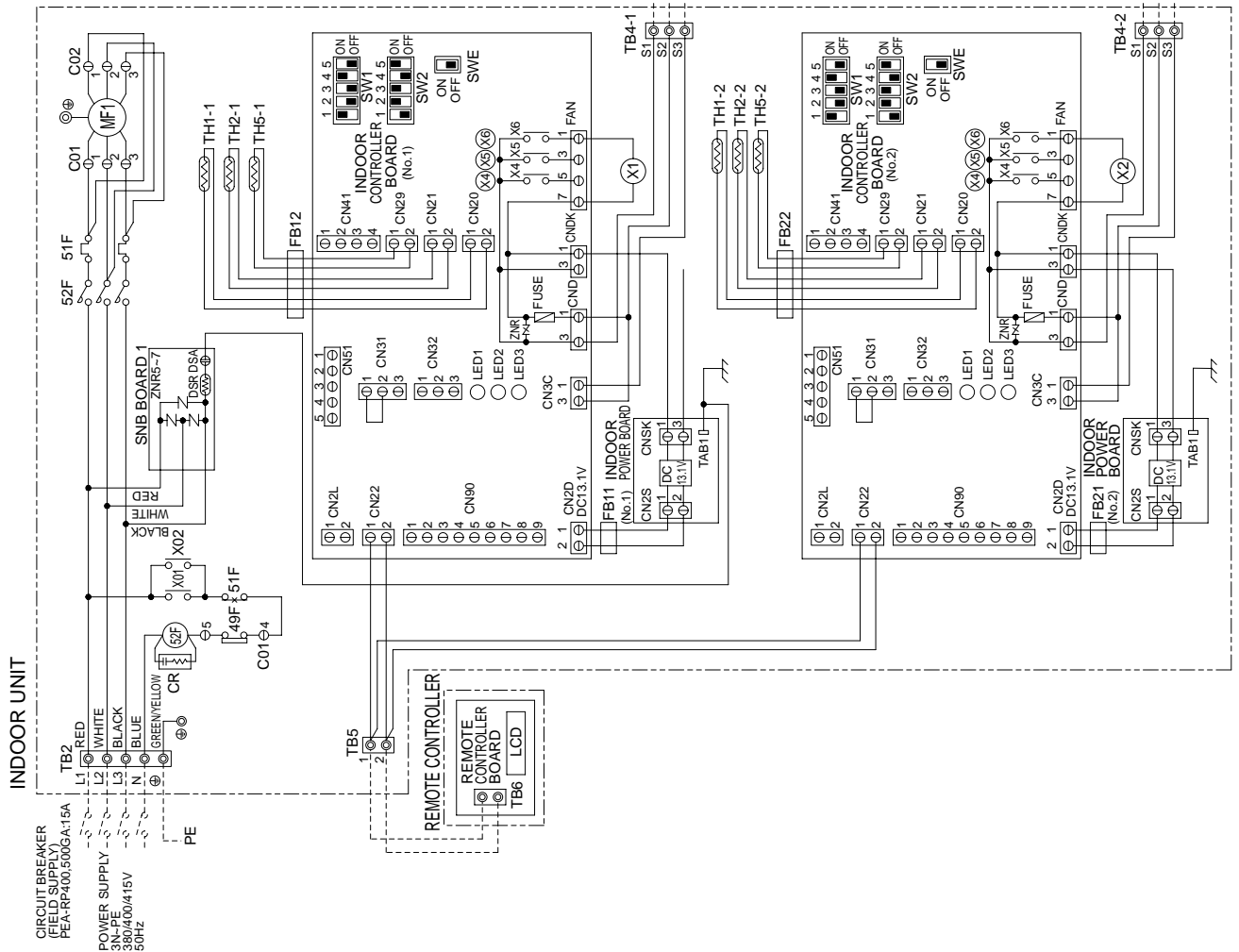
# PEA-RP400, 500GA

| SYMBOL           | NAME                                   |
|------------------|--|
| MF1              | FAN MOTOR (INDOOR)                     |
| 51F              | OVER CURRENT RELAY (INDOOR FAN MOTOR)  |
| 52F              | MAGNETIC CONTACTOR (INDOOR FAN MOTOR)  |
| 49F              | INTERNAL THERMOSTAT (INDOOR FAN MOTOR) |
| TB2, 4-1, 4-2, 5 | TERMINAL BLOCK                         |
| TH1-1, 1-2       | ROOM TEMP.                             |
| TH2-1, 2-2       | LIQUID PIPE TEMP.                      |
| TH5-1, 5-2       | COND./EVA. TEMP.                       |
| X1, 2            | AUXILIARY RELAY                        |
| CR               | SURGE KILLER                           |
| FB11, FB12       | FERRITE CORE                           |
| FB21, FB22       | FUSE (T6, 3AL250V)                     |
| ZNR              | VARISTOR                               |
| X4-6             | AUXILIARY RELAY                        |
| SW1              | SWITCH (MODEL SELECTION)               |
| SW2              | SWITCH (CAPACITY CORD)                 |
| SWE              | CONNECTOR (EMERGENCY OPERATION)        |
| LED1             | LED (POWER SUPPLY)                     |
| LED2             | LED (POWER SUPPLY-REMOTE CONTROLLER->) |
| LED3             | LED (TRANSMISSION<INDOOR-OUTDOOR->)    |
| CN2L             | CONNECTOR (LOSSNAY)                    |
| CN31             | CONNECTOR (DRAIN SENSOR)               |
| CN32             | CONNECTOR (REMOTE SWITCH)              |
| CN41             | CONNECTOR (HA TERMINAL-A)              |
| CN51             | CONNECTOR (CENTRALLY CONTROL)          |
| CN90             | CONNECTOR (WIRELESS REMOTE CONTROLLER) |
| ZNR5-7           | VARISTOR                               |
| BOARD 1          | DSA, DSR ARRESTER                      |

| SYMBOL   | TERMINAL BLOCK | NAME              |
|----------|----------------|-------------------|
| TB3, TB8 | TERMINAL BLOCK | INDOOR UNIT       |
| TB6      | TERMINAL BLOCK | REMOTE CONTROLLER |
| TB6      | TERMINAL BLOCK | REMOTE CONTROLLER |

Note: 1. The dotted lines show field wiring.  
 2. Color of earth wire is yellow and green twisting.  
 3. Specification subject to change without notice.  
 4. Indoor and outdoor connecting wires have polarities, make sure to match wiring and terminal.  
 5. Emergency operation  
 If a trouble occurs with either the remote controller or the indoor microcomputer and no other trouble exists, emergency operation for cooling or heating can be performed by changing the setting of connector (SWE) "ON" on the indoor controller board.  
 SWE -ON / Indoor fan is running at high speed.  
 SWE -OFF / Indoor fan is running at high speed.  
 6. Ⓜmark is connector. Ⓞmark is terminal.

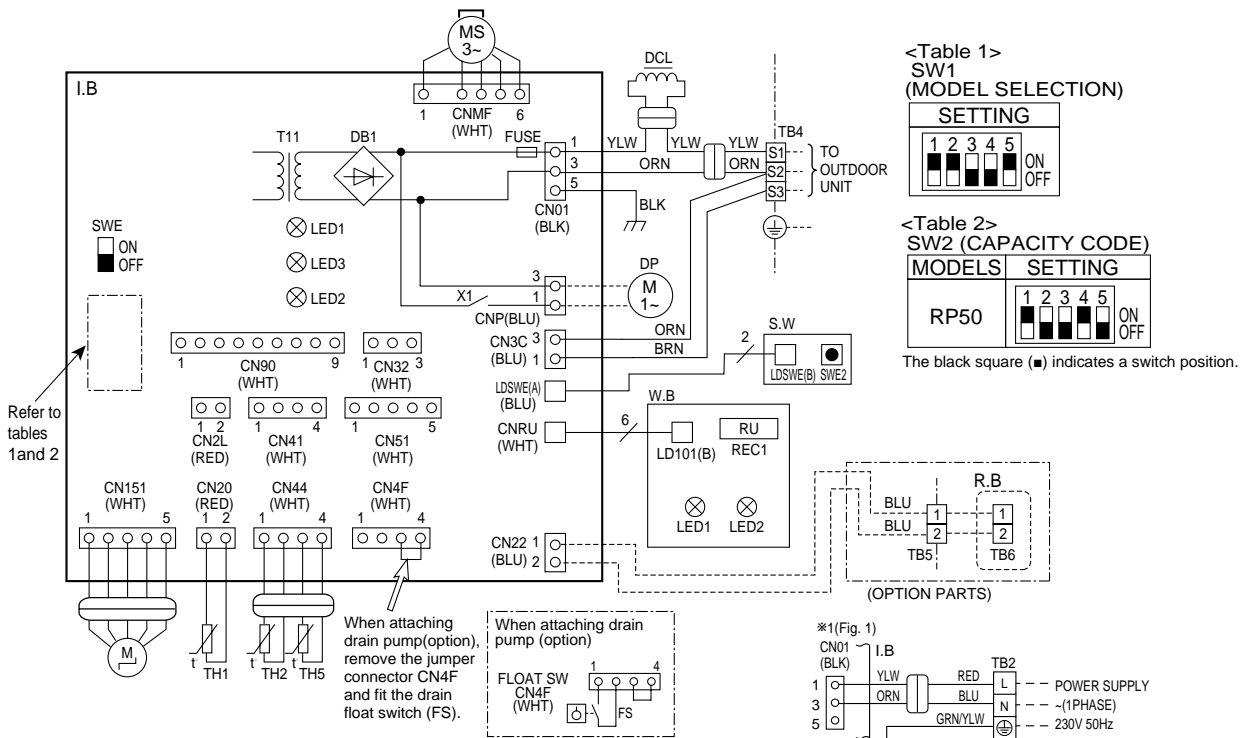
Caution,  
 1. To protect fan motor from abnormal current, overcurrent relays are installed. Therefore, do not change factory set value of overcurrent relays.



# PKA-RP50HAL

## [Explanation of symbols]

| Symbol | Name   | Symbol | Name   |
|--------|--|--------|--|
| I.B    | Indoor controller board                                | M      | Vane motor   |
| CN2L   | Connector (LOSSNAY)                                    | MS     | Fan motor  |
| CN32   | Connector (Remote switch)                              | S.W    | Switch board   |
| CN41   | Connector (HA terminal-A)                              | SWE2   | Emergency operation  |
| CN51   | Connector (Centrally control)                          | TB2    | Terminal block (Indoor unit Power (option))                  |
| CN90   | Connector (Remote operation adapter)                   | TB4    | Terminal block (Indoor/outdoor connecting line)              |
| FUSE   | FUSE(T3.15A/250V)                                      | TB5    | Terminal block (Remote controller transmission line(option)) |
| LED1   | Power supply (I.B)                                     | TH1    | Room temp. Thermistor (0°C/15kΩ, 25°C/5.4kΩ Detect)          |
| LED2   | Power supply (R.B)                                     | TH2    | Pipe temp. Thermistor/liquid (0°C/15kΩ, 25°C/5.4kΩ Detect)   |
| LED3   | Transmission (Indoor-outdoor)                          | TH5    | Cond./eva. temp. Thermistor (0°C/15kΩ, 25°C/5.4kΩ Detect)    |
| SW1    | Switch (Model selection) *See table 1                  | W.B    | Pcb for wireless remote controller                           |
| SW2    | Switch (Capacity code) *See table 2                    | LED1   | LED (Operation indication : Green)                           |
| SWE    | Connector (Emergency operation)                        | LED2   | LED (Preparation for heating: Orange)                        |
| X1     | Relay (Drain pump (option))                            | REC1   | Receiving unit   |
| CNP    | Drain pump (option) power supply (Drain pump (option)) | DCL    | REACTOR  |
| CN4F   | Drain float switch (Drain pump (option))               | DP     | DRAIN PUMP (OPTION)  |
| R.B    | Wired remote controller(option)                        | FS     | DRAIN FLOAT SWITCH (OPTION)                                  |
| TB6    | Terminal block (Remote controller transmission line)   |        |  |



### Notes:

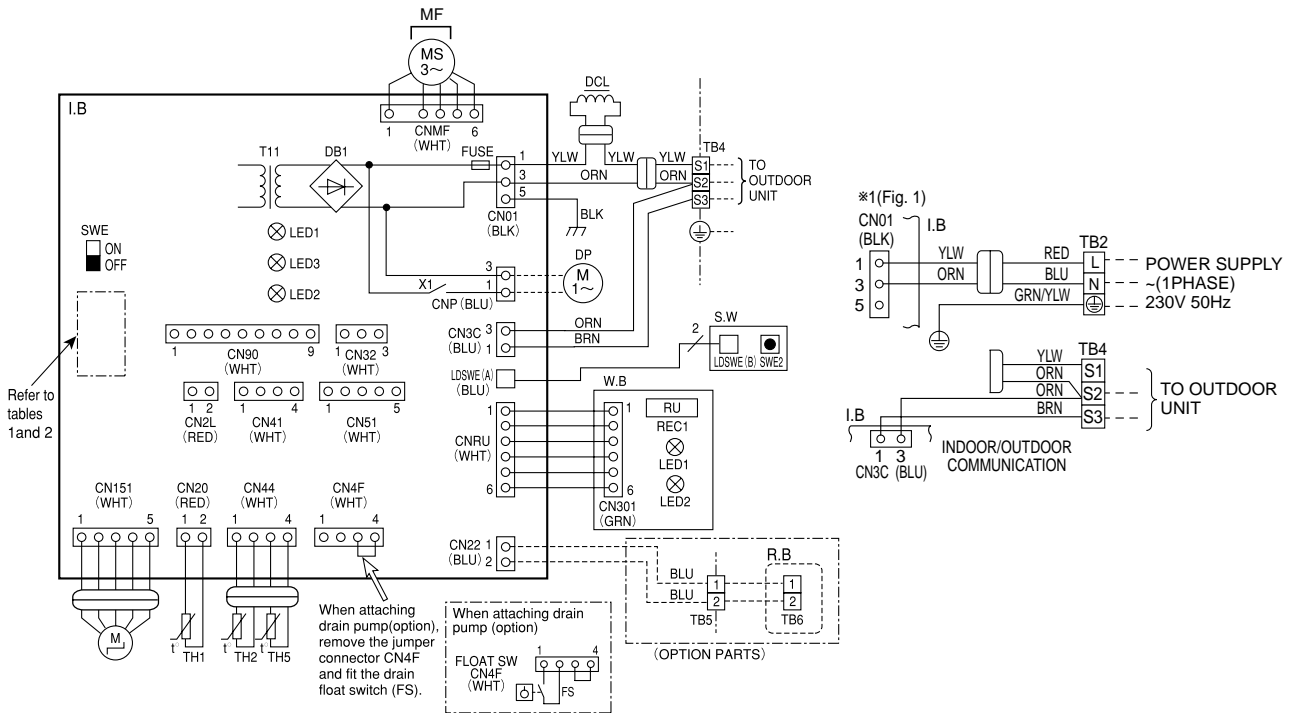
1. Symbols used in wiring diagram above are, : Connector, : Terminal (block).
  2. Indoor and outdoor connecting wires have polarities, make sure to match terminal numbers (S1, S2, S3) for correct wirings.
  3. Since the outdoor side electric wiring may change, be sure to check the outdoor unit electric wiring diagram for servicing.
  4. This diagram shows the wiring of indoor and outdoor connecting wires (specification of 230V), adopting superimposed system for power and signal.
- \*1: If indoor and outdoor units have separate power supplies, refer to Fig. 1.  
\*2: For power supply system of this unit, refer to the caution label located near this diagram.



# PKA-RP60KAL PKA-RP71KAL PKA-RP100KAL

## [LEGEND]

| SYMBOL | NAME  | SYMBOL | NAME  |
|--------|---|--------|---|
| I.B    | Indoor controller board   | M      | Vane motor  |
| CN2L   | Connector (LOSSNAY)   | MS     | Fan motor   |
| CN32   | Connector (Remote switch)   | S.W    | Switch board  |
| CN41   | Connector (HA terminal-A)   | SWE2   | Emergency operation   |
| CN51   | Connector (Centrally control)   | TB2    | Terminal block (Indoor unit Power (option))                     |
| CN90   | Connector (Remote operation adapter)                                  | TB4    | Terminal block (Indoor/outdoor connecting line)                 |
| FUSE   | FUSE (T3.15AL250V)  | TB5    | Terminal block (Remote controller transmission line)            |
| LED1   | Power supply (I.B)  | TH1    | Room temp. Thermistor (0°C / 15kΩ, 25°C / 5.4kΩ Detect)         |
| LED2   | Power supply (R.B)  | TH2    | Pipe temp. Thermistor/liquid (0°C / 15kΩ, 25°C / 5.4kΩ Detect)  |
| LED3   | Transmission (Indoor-outdoor)   | TH5    | Cond. / eva. temp. Thermistor (0°C / 15kΩ, 25°C / 5.4kΩ Detect) |
| SW1    | Switch (Model selection) *See table 1                                 | W.B    | Pcb for wireless remote controller                              |
| SW2    | Switch (Capacity code) *See table 2                                   | LED1   | LED (Operation indication : Green)                              |
| SWE    | Connector (Emergency operation)                                       | LED2   | LED (Preparation for heating : Orange)                          |
| X1     | Relay (Drain pump(option))  | REC1   | Receiving unit  |
| CNP    | Drain pump (option) power supply (Sold separately:Drain pump(option)) | DCL    | REACTOR   |
| CN4F   | Drain float switch (Sold separately:Drain pump (option))              | DP     | DRAIN PUMP (OPTION)   |
| R.B    | Wired remote controller (option)                                      | FS     | DRAIN FLOAT SWITCH (OPTION)                                     |
| TB6    | Terminal block (Remote controller transmission line)                  |        |   |



(Table 1)

SW1 (MODEL SELECTION)

| SETTING   |
|-----------|
| 1 2 3 4 5 |
| ON OFF    |

(Table 2)

SW2 (CAPACITY CODE)

| MODELS      | SETTING   | MODELS      | SETTING   | MODELS       | SETTING   |
|-------------|-----------|-------------|-----------|--------------|-----------|
| PKA-RP60KAL | 1 2 3 4 5 | PKA-RP71KAL | 1 2 3 4 5 | PKA-RP100KAL | 1 2 3 4 5 |
|             | ON OFF    |             | ON OFF    |              | ON OFF    |

The black square (■) indicates a switch position.

### Notes:

- Symbols used in wiring diagram above are, :Connector, : Terminal (block).
- Indoor and outdoor connecting wires have polarities, make sure to match terminal numbers (S1, S2, S3) for correct wirings.
- Since the outdoor side electric wiring may change, be sure to check the outdoor unit electric wiring diagram for servicing.
- This diagram shows the wiring of indoor and outdoor connecting wires (specification of 230V), adopting superimposed system for power and signal.
  - \*1 If indoor and outdoor units have separate power supplies, refer to Fig 1.
  - \*2 For power supply system of this unit, refer to the caution label located near this diagram.



# PCA-RP71HA PCA-RP125HA

[ LEGEND ]

| SYMBOL | NAME                    | SYMBOL   | NAME   |
|--------|-------------------------|----------|--|
| P. B   | INDOOR POWER BOARD      | MF1, MF2 | FAN MOTOR  |
| I. B   | INDOOR CONTROLLER BOARD | C1, C2   | CAPACITOR (FAN MOTOR)                                    |
|        | FUSE                    | H2       | DEW PREVENTION HEATER                                    |
|        | ZNR                     | TB2      | TERMINAL BLOCK (INDOOR UNIT POWER (OPTION))              |
|        | CN2L                    |          | CONNECTOR (LOSSNAY)                                      |
|        | CN32                    | TB4      | TERMINAL BLOCK (INDOOR/OUTDOOR CONNECTING LINE)          |
|        | CN41                    |          | CONNECTOR (HA TERMINAL-A)                                |
|        | CN51                    | TB5, TB6 | TERMINAL BLOCK (REMOTE CONTROLLER TRANSMISSION LINE)     |
|        | LED1                    |          | POWER SUPPLY (I. B)                                      |
|        | LED2                    | TH1      | ROOM TEMP.THERMISTOR (0°C/15kΩ, 25°C/5.4kΩ DETECT)       |
|        | LED3                    |          | TRANSMISSION (INDOOR-OUTDOOR)                            |
|        | X1                      | TH2      | RELAY (DEW PREVENTION HEATER)                            |
|        | X4                      |          | RELAY (FAN MOTOR)  |
|        | X5                      |          | RELAY (FAN MOTOR)  |
|        | X6                      | TH5      | RELAY (FAN MOTOR)  |
|        | SW1                     | R. B     | COND./ EVA.TEMP.THERMISTOR (0°C/15kΩ, 25°C/5.4kΩ DETECT) |
|        | SW2                     |          | WIRED REMOTE CONTROLLER BOARD                            |
|        | SWE                     |          | SWITCH (MODEL SELECTION) ※See Table 1.                   |
|        |                         |          | SWITCH (CAPACITY CODE) ※See Table 2.                     |
|        |                         |          | SWITCH (EMERGENCY OPERATION)                             |

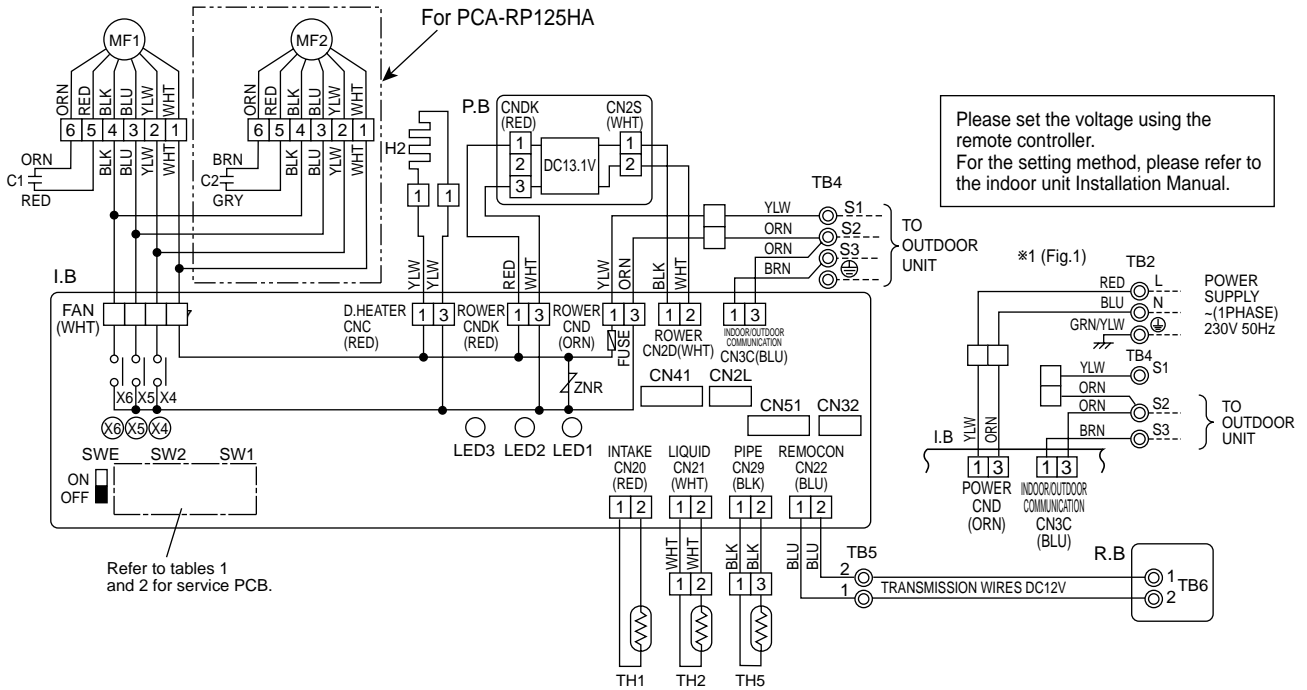


Table 1

| SW1           |     |    |     |    |
|---------------|-----|----|-----|----|
| Service board |     |    |     |    |
| 1             | 2   | 3  | 4   | 5  |
| ON            | OFF | ON | OFF | ON |

Table 2

| SW2        |               |             |               |
|------------|---------------|-------------|---------------|
| MODELS     | Service board | MODELS      | Service board |
| PCA-RP71HA | 1 2 3 4 5     | PCA-RP125HA | 1 2 3 4 5     |
|            | ON OFF        |             | ON OFF        |

The black square (■) indicates a switch position.

**Notes:**

1. Symbols used in wiring diagram above are, □ : Connector, ⊙ : Terminal (block).
2. Indoor and outdoor connecting wires have polarities, make sure to match terminal numbers (S1, S2, S3) for correct wirings.
3. Since the outdoor side electric wiring may change, be sure to check the outdoor unit electric wiring diagram for servicing.
4. This diagram shows the wiring of indoor and outdoor connecting wires (specification of 230V), adopting superimposed system for power and signal.

※1: If indoor and outdoor units have separate power supplies, refer to Fig.1.

※2: For power supply system of this unit, refer to the caution label located near this diagram.

# PSA-RP71GA PSA-RP100GA PSA-RP125GA PSA-RP140GA

[LEGEND]

| SYMBOL | NAME                               | SYMBOL | NAME   | SYMBOL | NAME   |
|--------|------------------------------------|--------|--|--------|--|
| P.B    | INDOOR POWER BOARD                 | I.B    | SW1 SWITCH (MODEL SELECTION) ※See Table 1.           | C      | CAPACITOR (FAN MOTOR)  |
| I.B    | INDOOR CONTROLLER BOARD            |        | SW2 SWITCH (CAPACITY CODE) ※See Table 2.             | MF     | FAN MOTOR  |
|        | FUSE FUZE (T6.3AL250V)             |        | SWE SWITCH (EMERGENCY OPERATION)                     | ML     | LOUVER MOTOR   |
|        | ZNR VARISTOR                       | X2     | RELAY (LOUVER)                                       | TB2    | TERMINAL BLOCK (HEATER) ※PSH-P-GAH models only or option for PSA-RP-GA models. |
|        | CN2L CONNECTOR (LOSSNAY)           | X4     | RELAY (FAN MOTOR)                                    | TB4    | TERMINAL BLOCK (INDOOR/OUTDOOR CONNECTING LINE)                                |
|        | CN32 CONNECTOR (REMOTE SWITCH)     | X5     | RELAY (FAN MOTOR)                                    | TH1    | ROOM TEMP.THERMISTOR (0°C/15kΩ, 25°C/5.4kΩ DETECT)                             |
|        | CN41 CONNECTOR (HA TERMINAL-A)     | X6     | RELAY (FAN MOTOR)                                    | TH2    | PIPE TEMP.THERMISTOR/LIQUID (0°C/15kΩ, 25°C/5.4kΩ DETECT)                      |
|        | CN51 CONNECTOR (CENTRALLY CONTROL) | R.B    | WIRED REMOTE CONTROLLER BOARD                        | TH5    | COND./EVA.TEMP.THERMISTOR (0°C/15kΩ, 25°C/5.4kΩ DETECT)                        |
|        | LED1 POWER SUPPLY (I.B)            | TB6    | TERMINAL BLOCK (REMOTE CONTROLLER TRANSMISSION LINE) |        |  |
|        | LED2 POWER SUPPLY (R.B)            | HEATER |  |        |  |
|        | LED3 TRANSMISSION (INDOOR-OUTDOOR) | FS1,2  | THERMAL FUSE (110°C/16A)                             |        |  |
|        |                                    | H      | HEATER   |        |  |
|        |                                    | 26H    | HEATER THERMAL SWITCH                                |        |  |
|        |                                    | 88H    | HEATER CONTACTOR                                     |        |  |

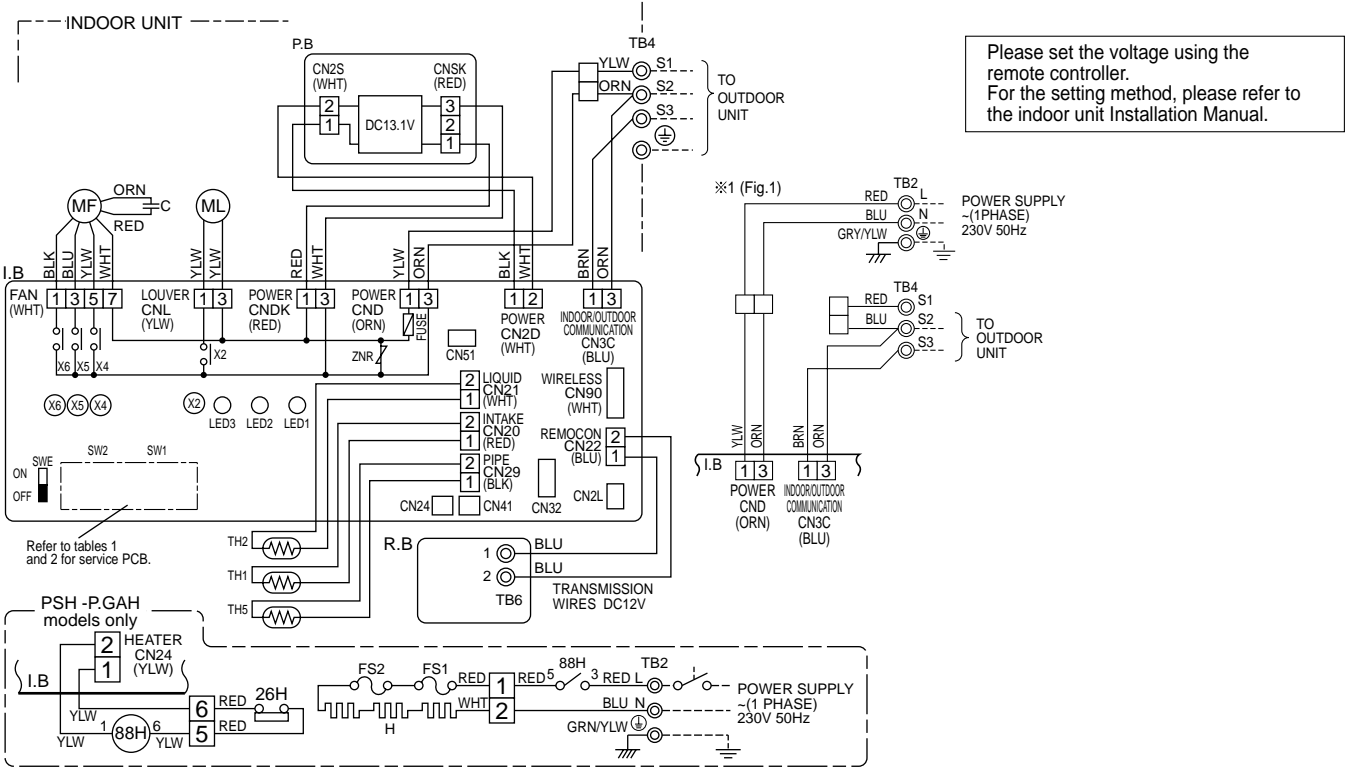


Table 1

| MODELS    | Service board |
|-----------|---------------|
| PSA-RP-GA | 1 2 3 4 5 ON  |
| PSH-P-GAH | 1 2 3 4 5 OFF |

- Notes:
1. Symbols used in wiring diagram above are,  : Connector,  : Terminal (block).
  2. Indoor and outdoor connecting wires have polarities, make sure to match terminal numbers (S1, S2, S3) for correct wirings.
  3. Since the outdoor side electric wiring may change, be sure to check the outdoor unit electric wiring diagram for servicing.
  4. This diagram shows the wiring of indoor and outdoor connecting wires (specification of 230V), adopting superimposed system for power and signal.  
 ※1: If indoor and outdoor units have separate power supplies, refer to Fig.1.  
 ※2: For power supply system of this unit, refer to the caution label located near this diagram.

Table 2

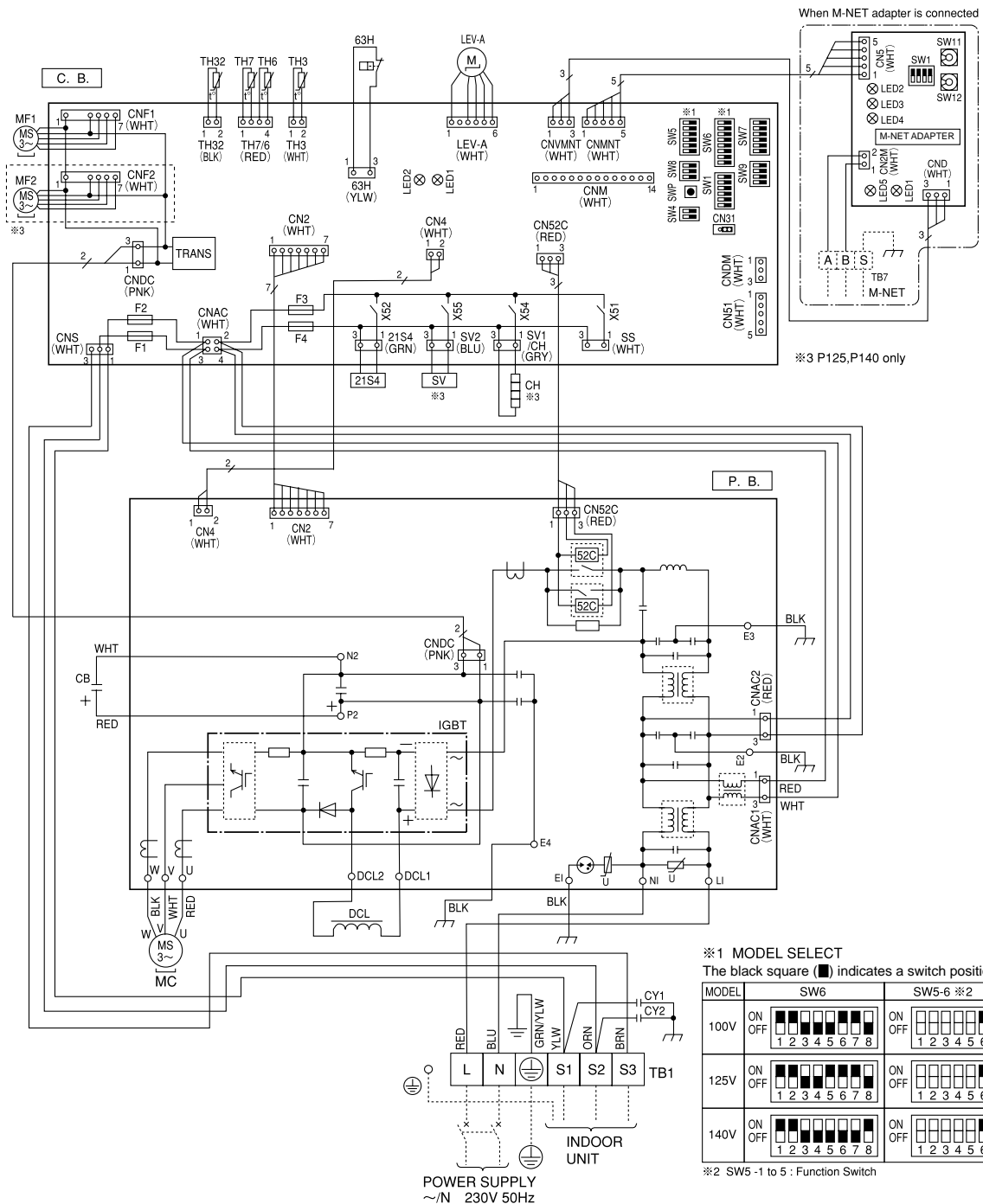
| MODELS      | Service board |
|-------------|---------------|
| PSA-RP71GA  | 1 2 3 4 5 ON  |
| PSH-P71GAH  | 1 2 3 4 5 OFF |
| PSA-RP100GA | 1 2 3 4 5 ON  |
| PSH-P100GAH | 1 2 3 4 5 OFF |
| PSA-RP125GA | 1 2 3 4 5 ON  |
| PSH-P125GAH | 1 2 3 4 5 OFF |
| PSA-RP140GA | 1 2 3 4 5 ON  |
| PSH-P140GAH | 1 2 3 4 5 OFF |

The black square (■) indicates a switch position.

## 4-2. OUTDOOR UNIT

### PUHZ-P100VHA3 PUHZ-P125VHA3 PUHZ-P140VHA3

| SYMBOL   | NAME  | SYMBOL         | NAME  | SYMBOL             | NAME  |
|----------|---|----------------|---|--------------------|---|
| TB1      | Terminal Block (Power Supply, Indoor/Outdoor) | P.B.           | Power Circuit Board   | SW9                | Switch (Function Switch)                          |
| MC       | Motor for Compressor                          | U/V/W          | Connection Terminal (U/V/W-Phase)   | SWP                | Switch (Pump Down)                                |
| MF1, MF2 | Fan Motor                                     | LI             | Connection Terminal (L-Phase)   | CN31               | Connector (Emergency Operation)                   |
| 21S4     | Solenoid Valve (Four-Way Valve)               | NI             | Connection Terminal (N-Phase)   | SS                 | Connector (Connection for Option)                 |
| SV       | Solenoid Valve (Bypass Valve)                 | DCL1, DCL2     | Connection Terminal (Reactor)   | CNDM               | Connector (Connection for Option (Contact Input)) |
| CH       | Crankcase Heater                              | IGBT           | Power Module  | CNM                | Connector (A-Control Service Inspection Kit)      |
| 63H      | High Pressure Switch                          | E1, E2, E3, E4 | Connection Terminal (Ground)  | LED1, LED2         | LED (Operation Inspection Indicators)             |
| TH3      | Thermistor (Outdoor Pipe)                     | C.B.           | Controller Circuit Board  | F1, F2, F3, F4     | Fuse (T6.3AL250V)                                 |
| TH6      | Thermistor (Outdoor 2-Phase Pipe)             | SW1            | Switch (Manual Defrost, Defect History Record Reset, Refrigerant Address) | X51, X52, X54, X55 | Relay   |
| TH7      | Thermistor (Ambient)                          | SW4            | Switch (Test Operation)   |                    |   |
| TH32     | Thermistor (Comp. Surface)                    | SW5            | Switch (Function Switch, Model Select)                                    |                    |   |
| LEV-A    | Electronic Expansion Valve                    | SW6            | Switch (Model Select)   |                    |   |
| DCL      | Reactor                                       | SW7            | Switch (Function Switch)  |                    |   |
| CB       | Main Smoothing Capacitor                      | SW8            | Switch (Function Switch)  |                    |   |
| CY1, CY2 | Capacitor                                     |                |   |                    |   |

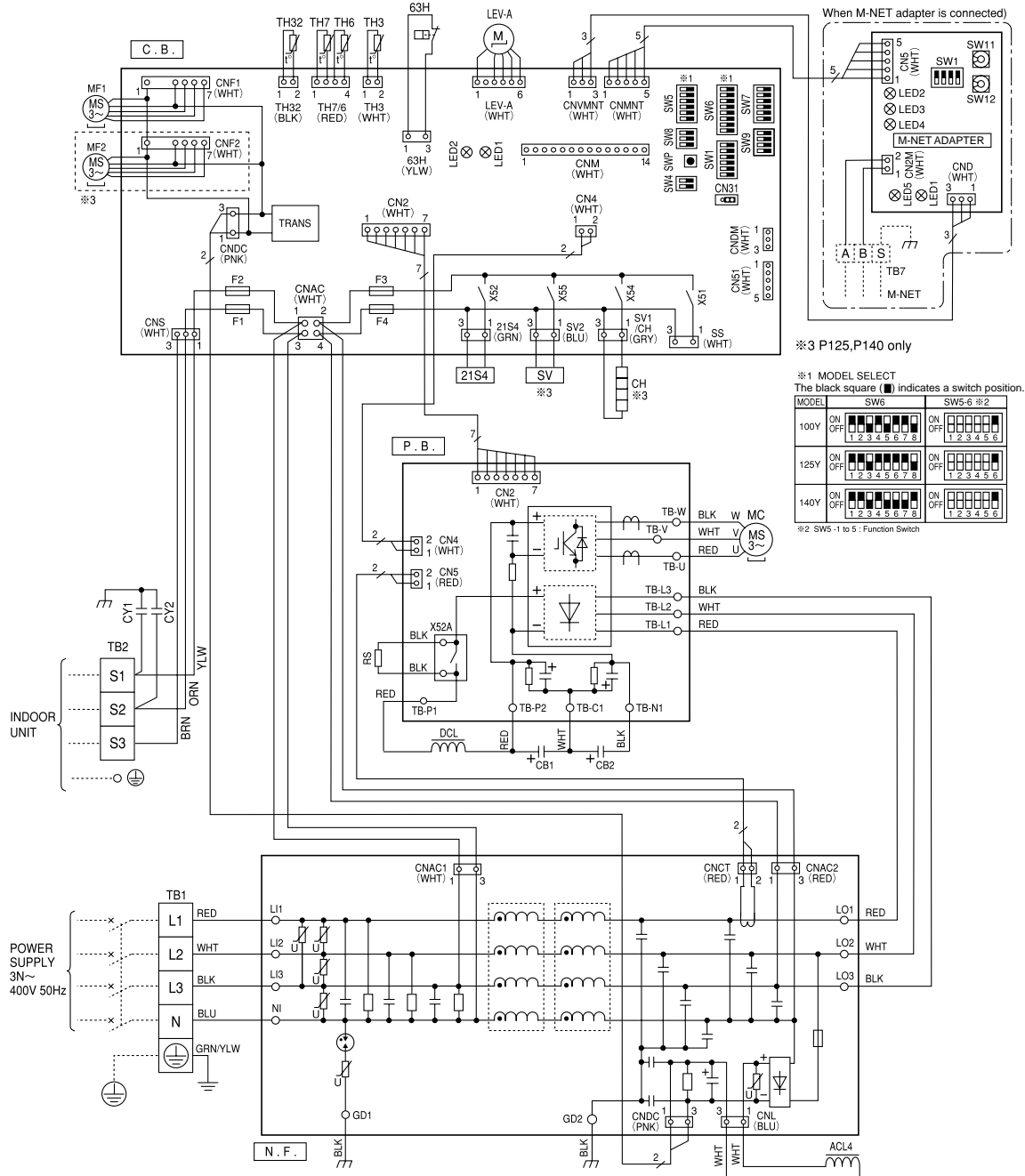


PUHZ-P100YHA

PUHZ-P125YHA

PUHZ-P140YHA

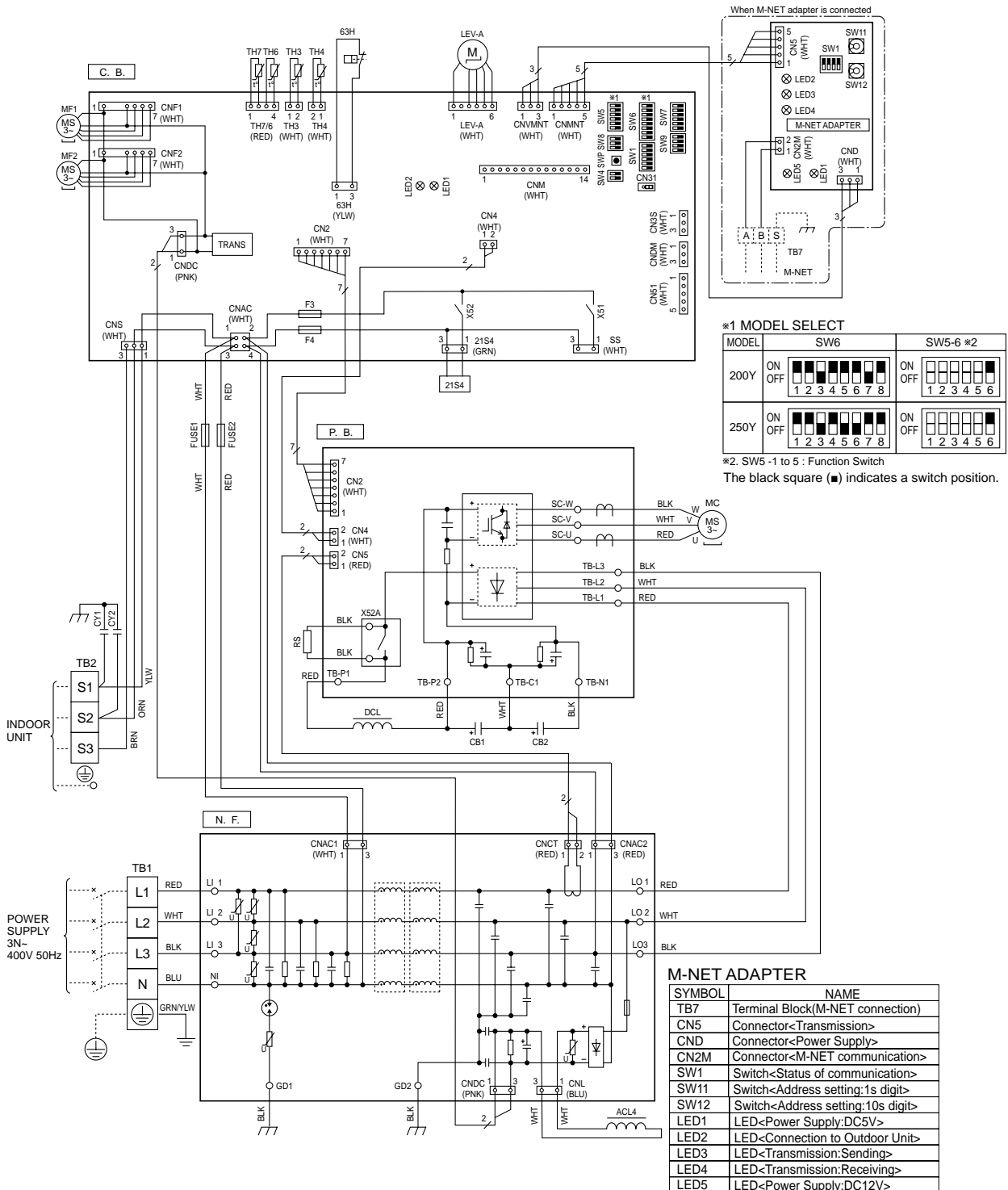
| SYMBOL   | NAME                              | SYMBOL      | NAME  | SYMBOL          | NAME   |
|----------|-----------------------------------|-------------|---|-----------------|--|
| TB1      | Terminal Block (Power Supply)     | CY1,CY2     | Capacitor   | SW5             | Switch (Function Switch, Model Select)           |
| TB2      | Terminal Block (Indoor/Outdoor)   | P.B.        | Power Circuit Board   | SW6             | Switch (Model Select)                            |
| MC       | Motor for Compressor              | TB-U/V/W    | Connection Terminal (U/V/W-Phase)   | SW7             | Switch (Function Switch)                         |
| MF1, MF2 | Fan Motor                         | TB-L1/L2/L3 | Connection Terminal (L1/L2/L3-Power Supply)                               | SW8             | Switch (Function Switch)                         |
| 21S4     | Solenoid Valve (Four-Way Valve)   | TB-P1       | Connection Terminal   | SW9             | Switch (Function Switch)                         |
| SV       | Solenoid Valve (Bypass Valve)     | TB-P2       | Connection Terminal   | SWP             | Switch (Pump Down)                               |
| CH       | Crankcase Heater                  | TB-C1       | Connection Terminal   | CN31            | Connector (Emergency Operation)                  |
| 63H      | High Pressure Switch              | TB-N1       | Connection Terminal   | SS              | Connector (Connection for Option)                |
| TH3      | Thermistor (Outdoor Pipe)         | X52A        | 52C Relay   | CNDM            | Connector (Connection for Option(Contact Input)) |
| TH6      | Thermistor (Outdoor 2-Phase Pipe) | N.F.        | Noise Filter Circuit Board  | CNM             | Connector (A-Control Service Inspection Kit)     |
| TH7      | Thermistor (Ambient)              | L1/L2/L3/NI | Connection Terminal (L1/L2/L3/N-Power Supply)                             | LED1,LED2       | LED (Operation Inspection Indicators)            |
| TH32     | Thermistor (Comp. Surface)        | LO1/LO2/LO3 | Connection Terminal (L1/L2/L3/N-Power Supply)                             | F1,F2,F3,F4     | FUSE (T6.3AL250V)                                |
| LEV-A    | Electronic Expansion Valve        | GD1, GD2    | Connection Terminal (Ground)  | X51,X52,X54,X55 | Relay  |
| ACL4     | Reactor                           | C.B.        | Controller Circuit Board  |                 |  |
| DCL      | Reactor                           | SW1         | Switch (Manual Defrost, Defect History Record Reset, Refrigerant Address) |                 |  |
| CB1, CB2 | Main Smoothing Capacitor          | SW4         | Switch (Test Operation)   |                 |  |
| RS       | Rush Current Protect Resistor     |             |   |                 |  |



# PUHZ-P200YHA3 PUHZ-P250YHA3

## [LEGEND]

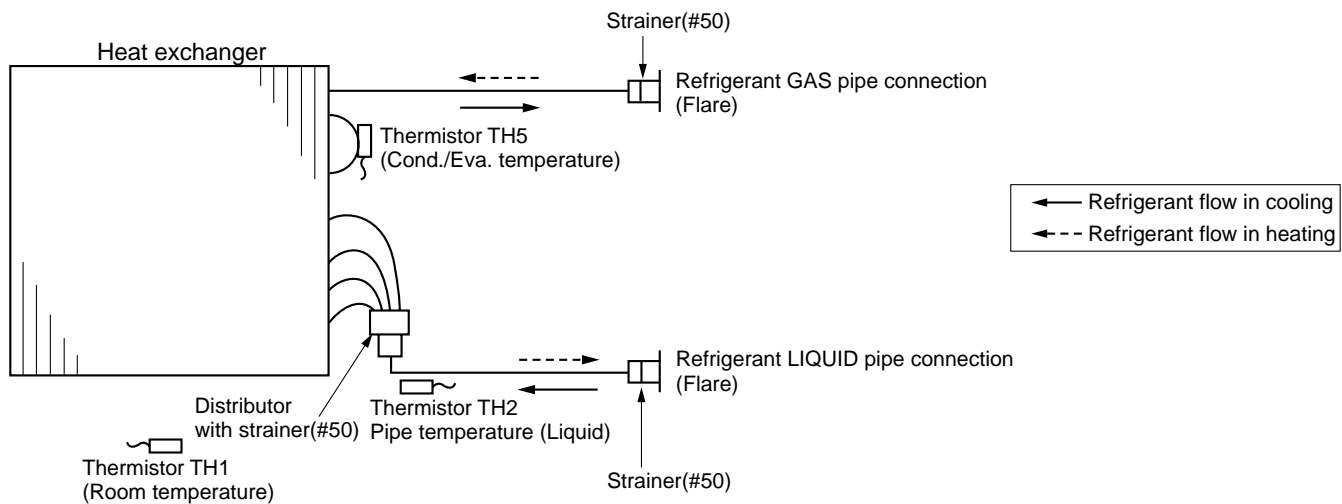
| SYMBOL      | NAME                             | SYMBOL        | NAME   | SYMBOL    | NAME   |
|-------------|----------------------------------|---------------|--|-----------|--|
| TB1         | Terminal Block<Power Supply>     | TB-L1/L2/L3   | Connection Terminal<L1/L2/L3-Power supply>                               | SWP       | Switch<Pump Down>                                    |
| TB2         | Terminal Block<Indoor/Outdoor>   | TB-P1         | Connection Terminal  | CN31      | Connector<Emergency Operator>                        |
| MC          | Motor for Compressor             | TB-P2         | Connection Terminal  | LED1,LED2 | LED<Operation Inspection Indicators>                 |
| MF1,MF2     | Fan Motor                        | TB-C1         | Connection Terminal  | F3,F4     | Fuse< T6.3AL250V>                                    |
| 21S4        | Solenoid Valve (Four-Way Valve)  | TB-N1         | Connection Terminal  | SS        | Connector<Connection for Option>                     |
| 63H         | High Pressure Switch             | X52A          | 52C Relay  | CNM       | Connector<A-Control Service Inspection Kit>          |
| TH3         | Thermistor<Outdoor Pipe>         | N.F.          | Noise Filter Circuit Board   | CNMNT     | Connector<Connected to Optional M-NET Adapter Board> |
| TH4         | Thermistor<Discharge>            | LI1/LI2/LI3/N | Connection Terminal<L1/L2/L3/NI-Power supply>                            | CNMVNT    | Connector<Connected to Optional M-NET Adapter Board> |
| TH6         | Thermistor<Outdoor 2-Phase Pipe> | LO1/LO2/LO3   | Connection Terminal<L1/L2/L3-Power supply>                               | CNDM      | Connector< Connected for Option (Contact Input)>     |
| TH7         | Thermistor<Outdoor>              | GD1,GD2       | Connection Terminal<Ground>  | CN3S      | Connector<Connection for Option>                     |
| LEV-A       | Electronic Expansion Valve       | C.B.          | Controller Circuit Board   | CN51      | Connector<Connection for Option>                     |
| ACL4        | Reactor                          | SW1           | Switch<Manual Defrost, Defect History Record Reset, Refrigerant Address> | X51,X52   | Relay  |
| DCL         | Reactor                          | SW4           | Switch<Test Operation>   |           |  |
| CB1,CB2     | Main Smoothing Capacitor         | SW5           | Switch<Function Switch>  |           |  |
| RS          | Rush Current Protect Resistor    | SW6           | Switch<Model Select>   |           |  |
| FUSE1_FUSE2 | Fuse<T15AL250V>                  | SW7           | Switch<Function Setup>   |           |  |
| CY1,CY2     | Capacitor                        | SW8           | Switch<Function Setup>   |           |  |
| P.B.        | Power Circuit Board              | SW9           | Switch   |           |  |
| SC-U/V/W    | Connection Terminal<U/V/W-Phase> |               |  |           |  |



**5-1. INDOOR UNIT**

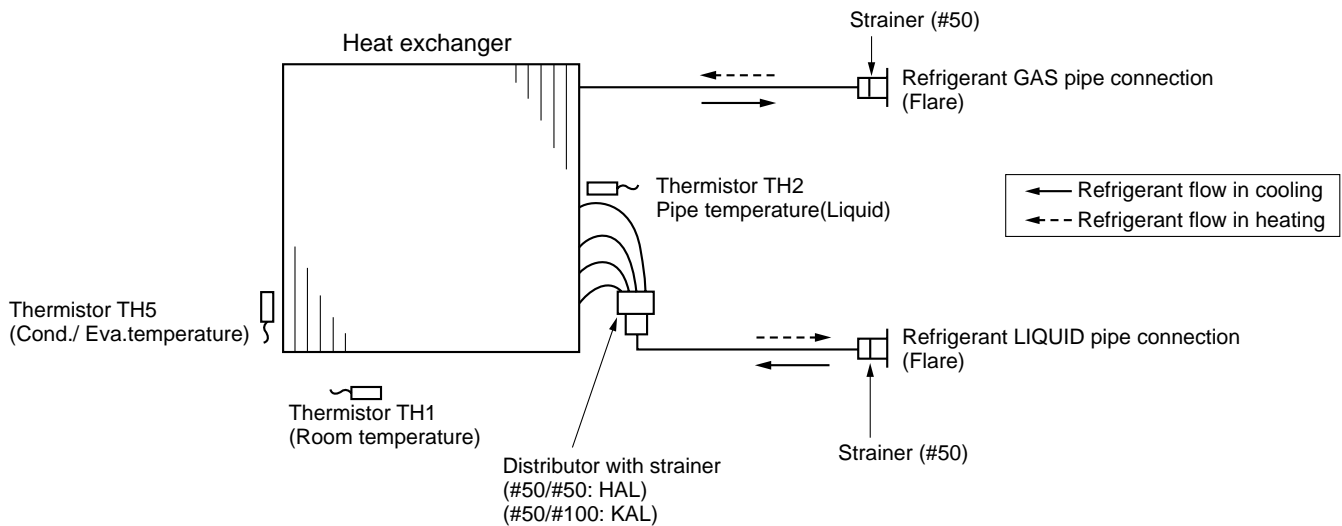
**PLA-RP-BA/BA2/BA3 PEAD-RP-JA(L)**

**PCA-RP-KA PCA-RP-HA PSA-RP-GA**



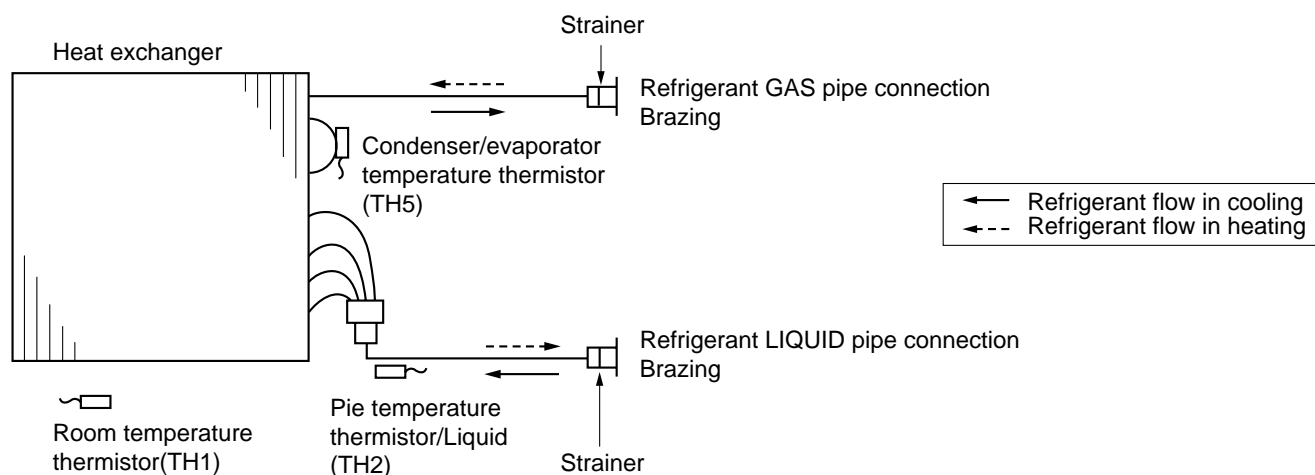
**PKA-RP-HAL**

**PKA-RP-KAL**

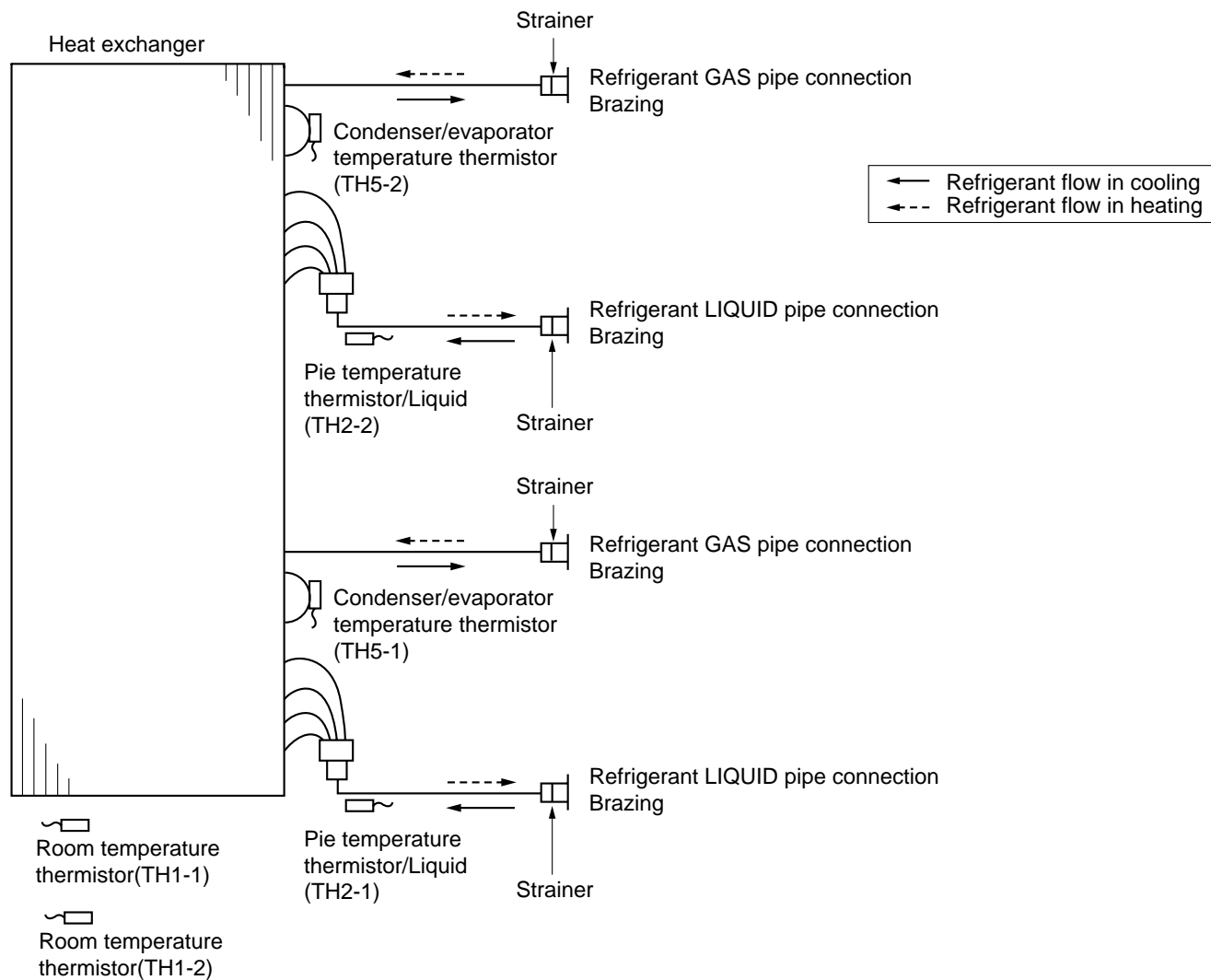




**PEA-RP200, 250GA**



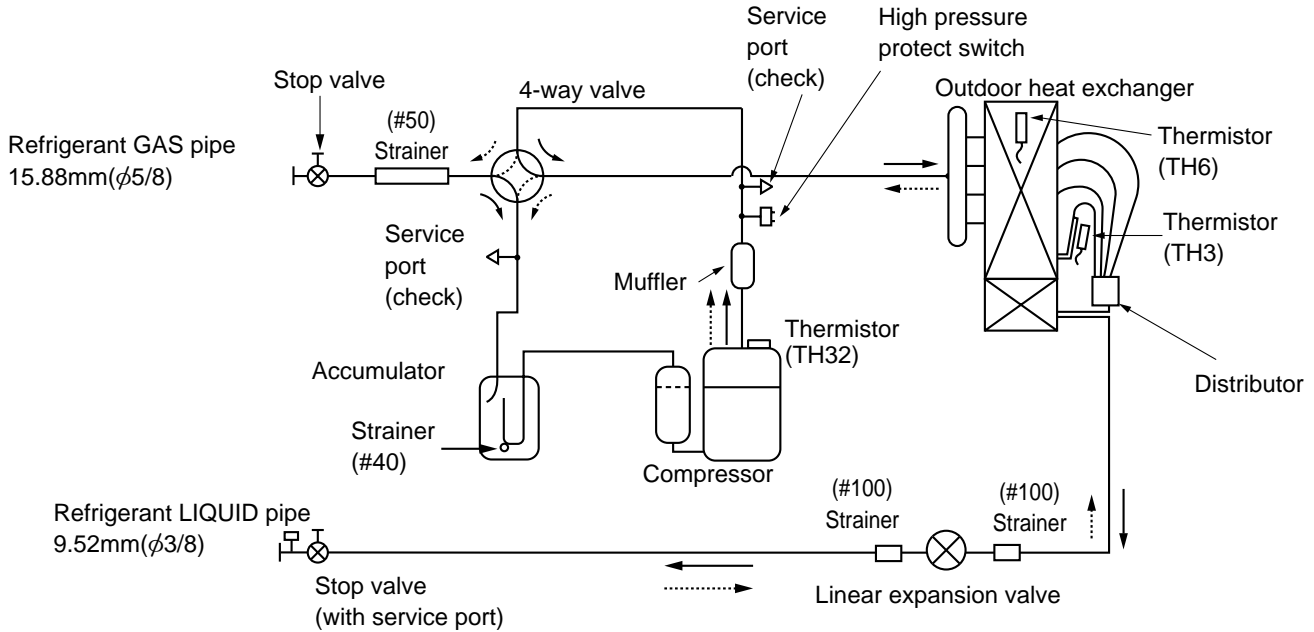
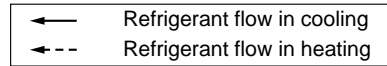
**PEA-RP400GA PEA-RP500GA**



## 5-2. OUTDOOR UNIT

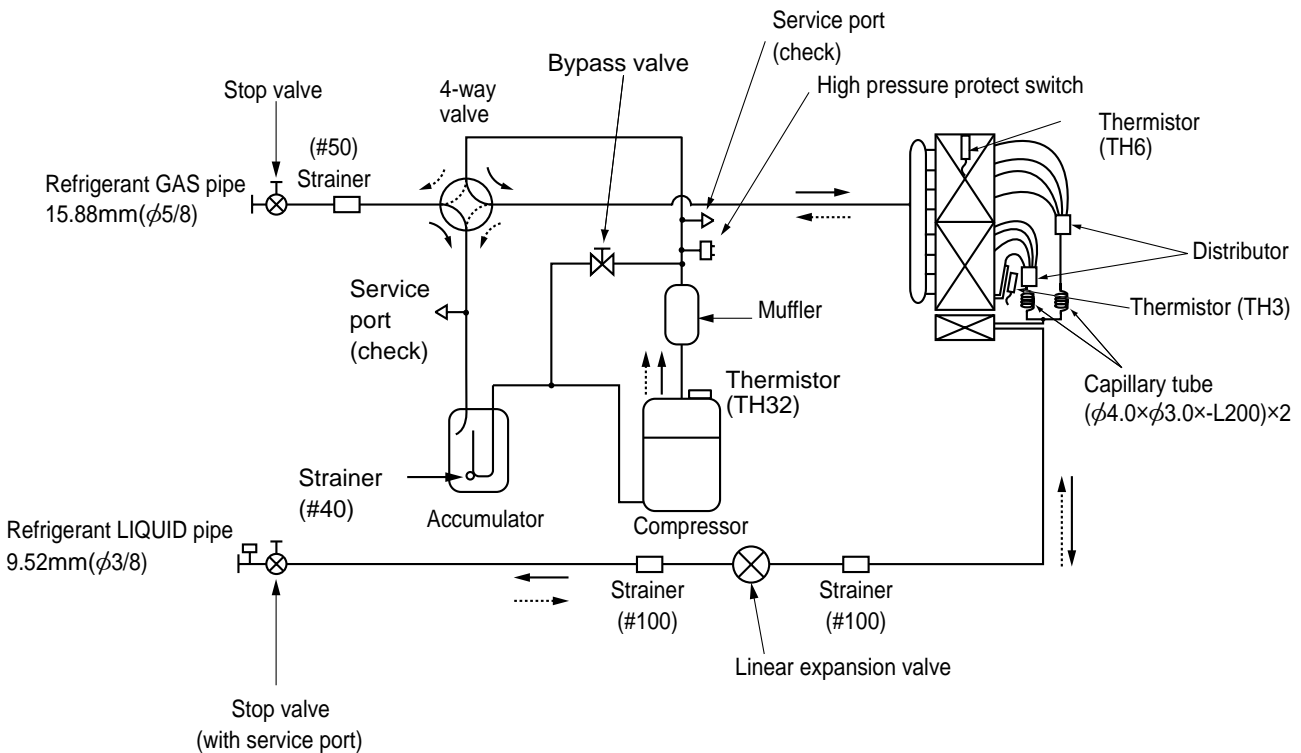
Unit : mm

**PUHZ-P100VHA3**  
**PUHZ-P100YHA**



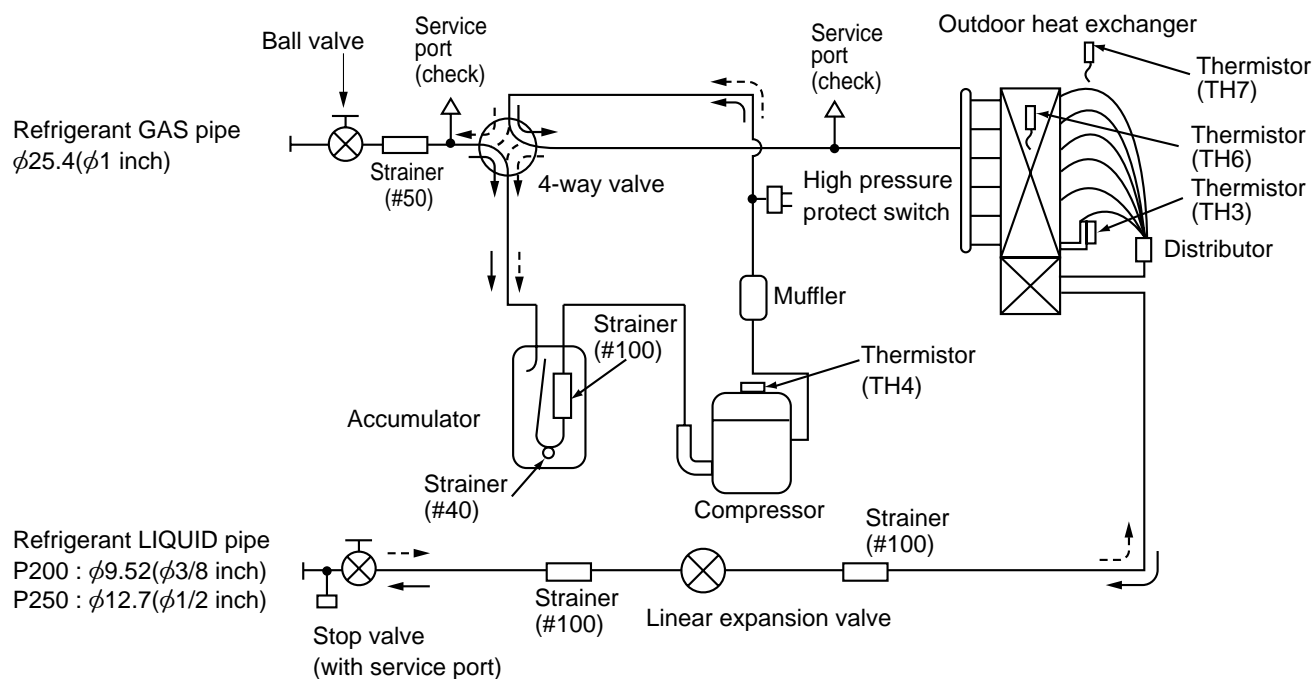
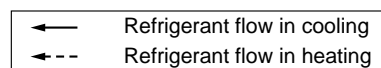
**PUHZ-P125VHA3**  
**PUHZ-P125YHA**

**PUHZ-P140VHA3**  
**PUHZ-P140YHA**



Unit : mm

**PUHZ-P200YHA3**  
**PUHZ-P250YHA3**

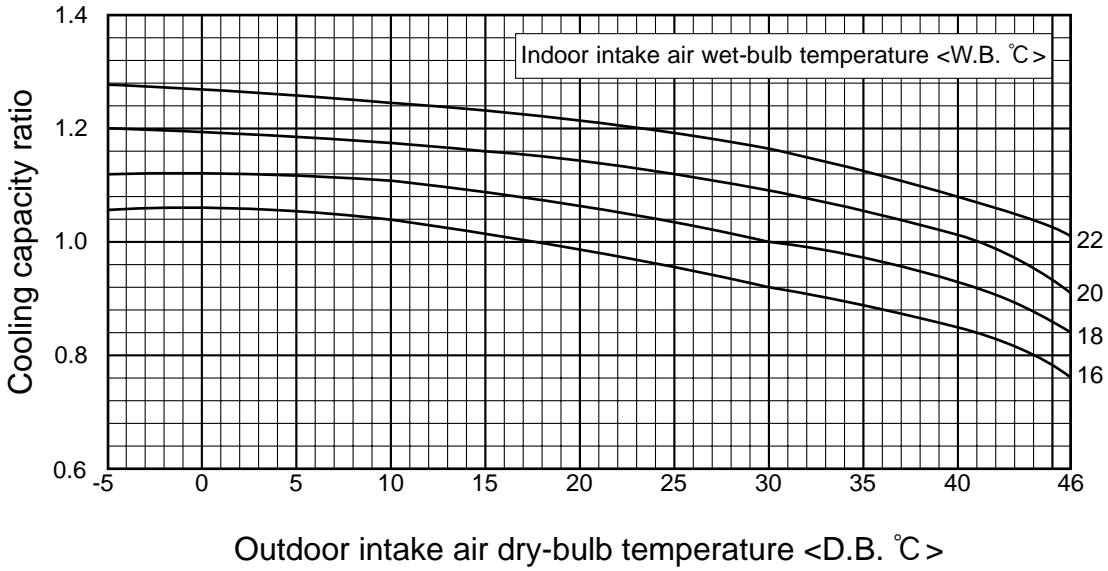


# 6

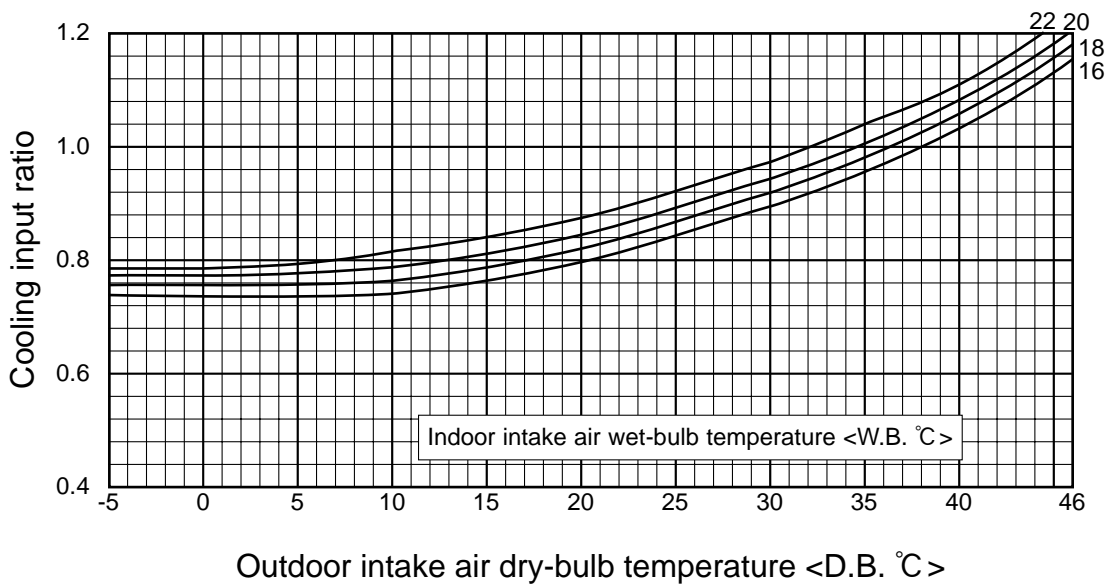
# PERFORMANCE CURVES

FOR THE COMBINATION OF OUTDOOR UNIT  
 PUHZ-P100/125/140VHA3  
 PUHZ-P100/125/140YHA  
 PUHZ-P200/250YHA3

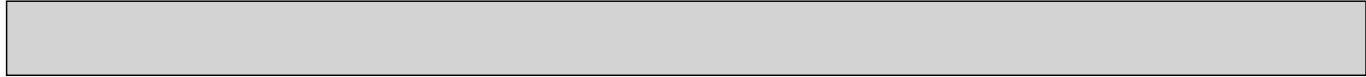
## Cooling capacity



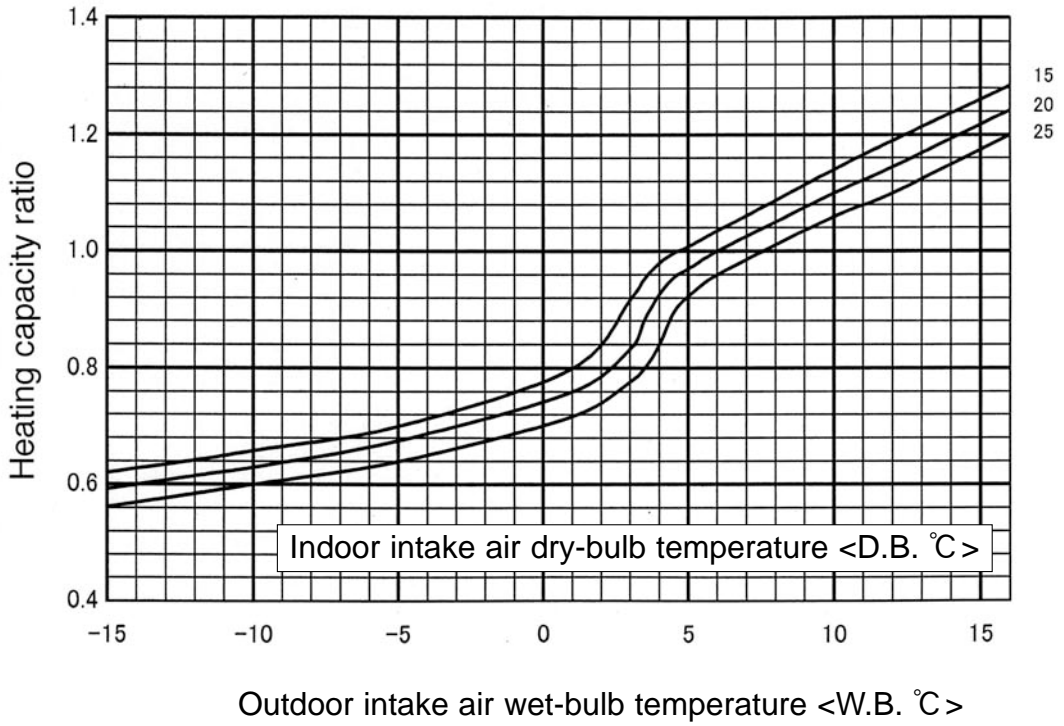
## Cooling input



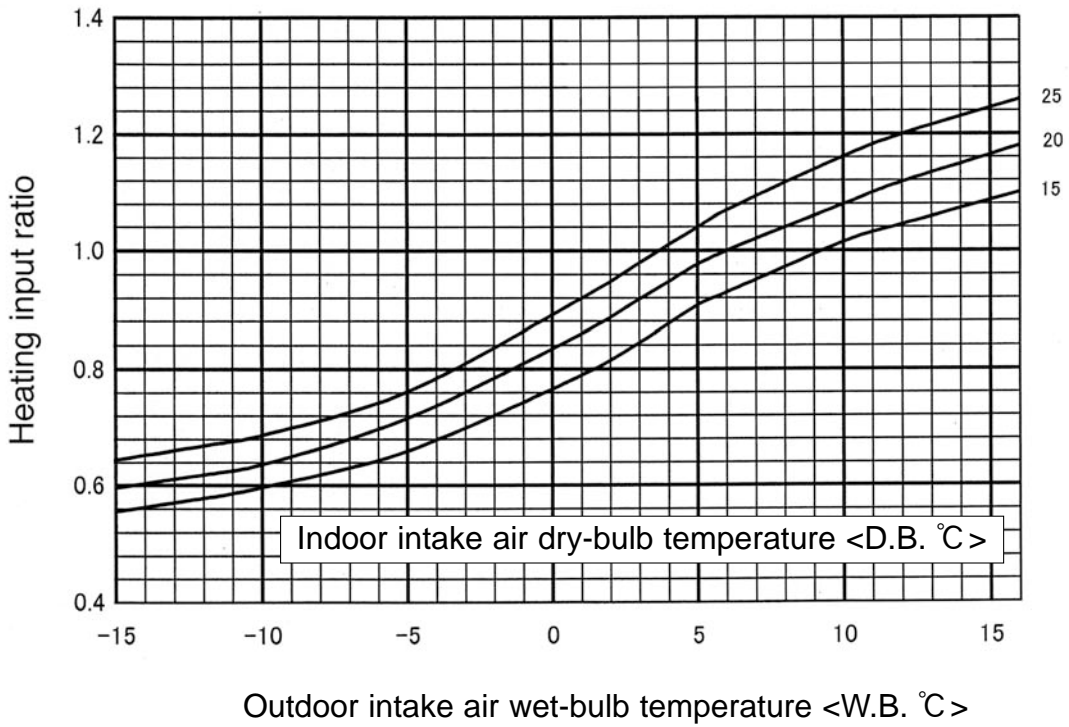
**Note :** These diagrams show the case where the operation frequency of a compressor is fixed.



### Heating capacity



### Heating input



**Note :** These diagrams show the case where the operation frequency of a compressor is fixed.

PUHZ-P100/125/140VHA3

PUHZ-P100/125/140YHA

PUHZ-P200/250YHA3

## Cooling capacity correction factors

| Outdoor unit                  | Refrigerant piping length (one way) |       |       |       |       |       |       |       |       |       |
|-------------------------------|-------------------------------------|-------|-------|-------|-------|-------|-------|-------|-------|-------|
|                               | 5m                                  | 10m   | 20m   | 30m   | 40m   | 50m   | 55m   | 60m   | 70m   | 75m   |
| PUHZ-P100VHA3<br>PUHZ-P100YHA | 1.00                                | 0.985 | 0.957 | 0.931 | 0.908 | 0.886 | 0.876 | —     | —     | —     |
| PUHZ-P125VHA3<br>PUHZ-P125YHA | 1.00                                | 0.981 | 0.946 | 0.914 | 0.885 | 0.858 | 0.845 | —     | —     | —     |
| PUHZ-P140VHA3<br>PUHZ-P140YHA | 1.00                                | 0.976 | 0.931 | 0.893 | 0.858 | 0.827 | 0.813 | —     | —     | —     |
| PUHZ-P200YHA3                 | 1.00                                | 0.985 | 0.958 | 0.931 | 0.908 | 0.887 | 0.876 | 0.865 | 0.847 | 0.838 |
| PUHZ-P250YHA3                 | 1.00                                | 0.981 | 0.946 | 0.914 | 0.885 | 0.858 | 0.845 | 0.834 | 0.812 | 0.802 |

## Heating capacity correction factors

| Outdoor unit                  | Refrigerant piping length (one way) |       |       |       |       |       |       |       |       |       |
|-------------------------------|-------------------------------------|-------|-------|-------|-------|-------|-------|-------|-------|-------|
|                               | 5m                                  | 10m   | 20m   | 30m   | 40m   | 50m   | 55m   | 60m   | 70m   | 75m   |
| PUHZ-P100VHA3<br>PUHZ-P100YHA | 1.00                                | 0.997 | 0.991 | 0.985 | 0.979 | 0.973 | 0.970 | —     | —     | —     |
| PUHZ-P125VHA3<br>PUHZ-P125YHA | 1.00                                | 0.997 | 0.991 | 0.985 | 0.979 | 0.973 | 0.970 | —     | —     | —     |
| PUHZ-P140VHA3<br>PUHZ-P140YHA | 1.00                                | 0.997 | 0.991 | 0.985 | 0.979 | 0.973 | 0.970 | —     | —     | —     |
| PUHZ-P200YHA3                 | 1.00                                | 0.997 | 0.991 | 0.985 | 0.979 | 0.973 | 0.970 | 0.967 | 0.961 | 0.958 |
| PUHZ-P250YHA3                 | 1.00                                | 0.997 | 0.991 | 0.985 | 0.979 | 0.973 | 0.970 | 0.967 | 0.961 | 0.958 |

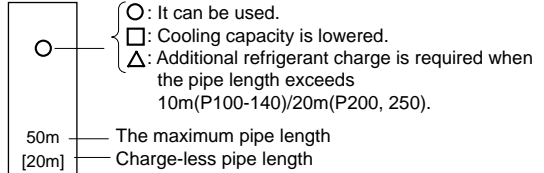
## 8-1. PIPE LENGTH

## 8-1-1. 1:1 SYSTEM and 1:2(1 indoor / 2 outdoor) SYSTEM

&lt;Table 1-1&gt; Maximum pipe length (P100-140)

| Liquid pipe (mm) | OD        | ø9.52         |           |           | ø12.7     |        |
|------------------|-----------|---------------|-----------|-----------|-----------|--------|
|                  | Thickness | t0.8          |           |           | t0.8      |        |
| Gas pipe (mm)    | OD        | ø12.7         | ø15.88    | ø19.05    | ø15.88    | ø19.05 |
|                  | Thickness | t0.8          | t1.0      | t1.0      | t1.0      | t1.0   |
| P100             | /         | Standard size | ○         | ○         | △         | △      |
|                  |           | 50m [20m]     | 50m [20m] | 25m [10m] | 25m [10m] |        |
| P125,P140        | /         | Standard size | ○         | △         | △         |        |
|                  |           | 50m [30m]     | 50m [30m] | 30m [10m] | 30m [10m] |        |

&lt;Marks in the table&gt;



&lt;Table 1-2&gt; Maximum pipe length (P200, 250)

| Liquid pipe (mm) | OD        | ø9.52     |               |           | ø12.7     |               |           | ø15.88    |           |           |           |
|------------------|-----------|-----------|---------------|-----------|-----------|---------------|-----------|-----------|-----------|-----------|-----------|
|                  | Thickness | t0.8      |               |           | t0.8      |               |           | t1.0      |           |           |           |
| Gas pipe (mm)    | OD        | ø22.2     | ø25.4         | ø28.58    | ø22.2     | ø25.4         | ø28.58    | ø22.2     | ø25.4     | ø28.58    | ø31.75    |
|                  | Thickness | t1.0      | t1.0          | t1.0      | t1.0      | t1.0          | t1.0      | t1.0      | t1.0      | t1.0      | t1.0      |
| P200             | /         | □         | Normal piping | ○         | □△        | ○             | ○         | □△        | △         | △         | △         |
|                  |           | 50m [30m] | 70m [30m]     | 70m [30m] | 50m [20m] | 50m [20m]     | 50m [20m] | 40m [20m] | 40m [20m] | 40m [20m] | 40m [20m] |
| P250             | /         | □         | ○             | ○         | □         | Normal piping | ○         | □△        | △         | △         | △         |
|                  |           | 50m [30m] | 70m [30m]     | 70m [30m] | 50m [30m] | 70m [30m]     | 70m [30m] | 45m [20m] | 45m [20m] | 45m [20m] | 45m [20m] |

Note : Be sure to use hard (tempered) one for pipe over ø22.2.(Do not use soft (annealed) one.)

## 8-1-2. TWIN TRIPLE AND QUADRUPLE SYSTEM

## (1) TWIN SYSTEM

&lt;Table 2-1&gt; Maximum pipe length(P100-140)

| Main pipe (mm) [A]      | Liquid pipe | P100(RP50×2) |               |           | P125(RP60×2)-P140(RP71×2) |               |           |
|-------------------------|-------------|--------------|---------------|-----------|---------------------------|---------------|-----------|
|                         |             | ø9.52        | ø9.52         | ø12.7     | ø9.52                     | ø9.52         | ø12.7     |
| Branch pipe (mm) [B, C] | Gas pipe    | ø15.88       | ø19.05        | ø19.05    | ø15.88                    | ø19.05        | ø19.05    |
|                         | Liquid pipe | ø6.35        | Standard size | ○         | △                         | /             | /         |
| Branch pipe (mm) [B, C] | Gas pipe    | ø12.7        | Standard size | ○         | △                         | /             | /         |
|                         | Liquid pipe | ø9.52        | ○             | ○         | △                         | Standard size | ○         |
| Branch pipe (mm) [B, C] | Gas pipe    | ø15.88       | 50m [20m]     | 50m [20m] | 25m [10m]                 | 50m [30m]     | 30m [10m] |
|                         | Liquid pipe | ø15.88       | 50m [30m]     | 70m [30m] | 50m [20m]                 | 50m [20m]     | 40m [20m] |

&lt;Table 2-2&gt; Maximum pipe length(P200, 250)

| Main pipe (mm) [A]      | Liquid pipe | O.D.   | P200(RP100×2) |               |           |           |           |           | P250(RP125×2) |           |           |           |           |           |           |           |               |           |           |           |           |
|-------------------------|-------------|--------|---------------|---------------|-----------|-----------|-----------|-----------|---------------|-----------|-----------|-----------|-----------|-----------|-----------|-----------|---------------|-----------|-----------|-----------|-----------|
|                         |             |        | ø9.52         |               | ø12.7     |           | ø15.88    |           | ø9.52         |           | ø12.7     |           | ø15.88    |           |           |           |               |           |           |           |           |
| Branch pipe (mm) [B, C] | Gas pipe    | ø15.88 | ø22.2         | ø25.4         | ø28.58    | ø22.2     | ø25.4     | ø28.58    | ø22.2         | ø25.4     | ø28.58    | ø31.75    | ø22.2     | ø25.4     | ø28.58    | ø22.2     | ø25.4         | ø28.58    | ø31.75    |           |           |
|                         | Liquid pipe | ø15.88 | t1.0          | t1.0          | t1.0      | t1.0      | t1.0      | t1.0      | t1.0          | t1.0      | t1.0      | t1.1      | t1.0      | t1.0      | t1.0      | t1.0      | t1.0          | t1.0      | t1.0      |           |           |
| Branch pipe (mm) [B, C] | Gas pipe    | ø15.88 | □             | Standard size | ○         | □△        | △         | △         | □△            | △         | △         | △         | □         | ○         | ○         | □         | Standard size | ○         | □△        | △         | △         |
|                         | Liquid pipe | ø15.88 | 50m [30m]     | 70m [30m]     | 70m [30m] | 50m [20m] | 50m [20m] | 50m [20m] | 40m [20m]     | 40m [20m] | 40m [20m] | 40m [20m] | 50m [30m] | 70m [30m] | 70m [30m] | 50m [30m] | 70m [30m]     | 70m [30m] | 45m [20m] | 45m [20m] | 45m [20m] |

## (2) TRIPLE SYSTEM

&lt;Table 3-1&gt; Maximum pipe length(P140)

| Main pipe (mm) [A]         | Liquid pipe | P140(RP50×3) |               |           |
|----------------------------|-------------|--------------|---------------|-----------|
|                            |             | ø9.52        | ø9.52         | ø12.7     |
| Branch pipe (mm) [B, C, D] | Gas pipe    | ø15.88       | ø19.05        | ø19.05    |
|                            | Liquid pipe | ø6.35        | Standard size | ○         |
| Branch pipe (mm) [B, C, D] | Gas pipe    | ø12.7        | Standard size | ○         |
|                            | Liquid pipe | ø9.52        | 50m [30m]     | 50m [30m] |
| Branch pipe (mm) [B, C, D] | Gas pipe    | ø15.88       | 50m [30m]     | 50m [30m] |
|                            | Liquid pipe | ø15.88       | 50m [30m]     | 50m [30m] |

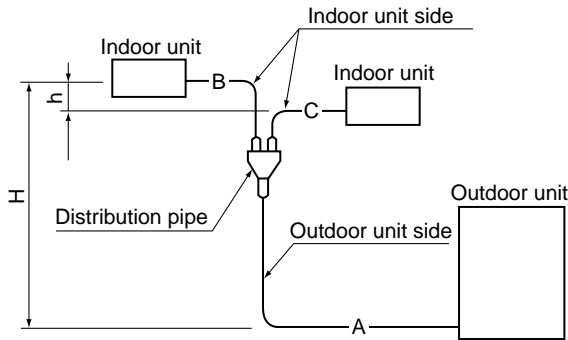
&lt;Table 3-2&gt; Maximum pipe length(P200, 250)

| Main pipe (mm) [A]      | Liquid pipe | O.D.   | P200(RP60×3) |               |           |           |           |           | P250(RP71×3) |           |           |           |           |           |           |           |               |           |           |           |
|-------------------------|-------------|--------|--------------|---------------|-----------|-----------|-----------|-----------|--------------|-----------|-----------|-----------|-----------|-----------|-----------|-----------|---------------|-----------|-----------|-----------|
|                         |             |        | ø9.52        |               | ø12.7     |           | ø15.88    |           | ø9.52        |           | ø12.7     |           | ø15.88    |           |           |           |               |           |           |           |
| Branch pipe (mm) [B, C] | Gas pipe    | ø15.88 | ø22.2        | ø25.4         | ø28.58    | ø22.2     | ø25.4     | ø28.58    | ø22.2        | ø25.4     | ø28.58    | ø31.75    | ø22.2     | ø25.4     | ø28.58    | ø22.2     | ø25.4         | ø28.58    | ø31.75    |           |
|                         | Liquid pipe | ø15.88 | t1.0         | t1.0          | t1.0      | t1.0      | t1.0      | t1.0      | t1.0         | t1.0      | t1.0      | t1.1      | t1.0      | t1.0      | t1.0      | t1.0      | t1.0          | t1.0      | t1.1      |           |
| Branch pipe (mm) [B, C] | Gas pipe    | ø15.88 | □            | Standard size | ○         | □△        | △         | △         | □△           | △         | △         | △         | □         | ○         | ○         | □         | Standard size | ○         | □△        | △         |
|                         | Liquid pipe | ø15.88 | 50m [30m]    | 70m [30m]     | 70m [30m] | 50m [20m] | 50m [20m] | 50m [20m] | 40m [20m]    | 40m [20m] | 40m [20m] | 40m [20m] | 50m [30m] | 70m [30m] | 70m [30m] | 50m [30m] | 70m [30m]     | 70m [30m] | 45m [20m] | 45m [20m] |

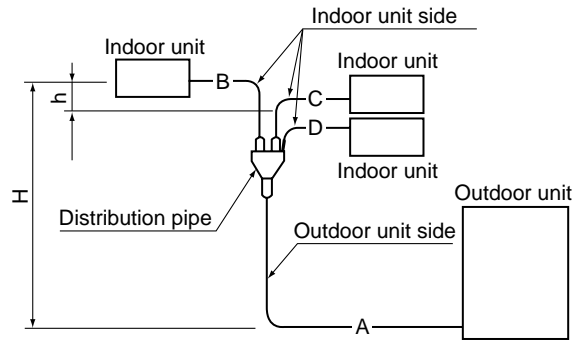
### (3) QUADRUPLE SYSTEM

<Table 2-2> Maximum pipe length(P200, 250)

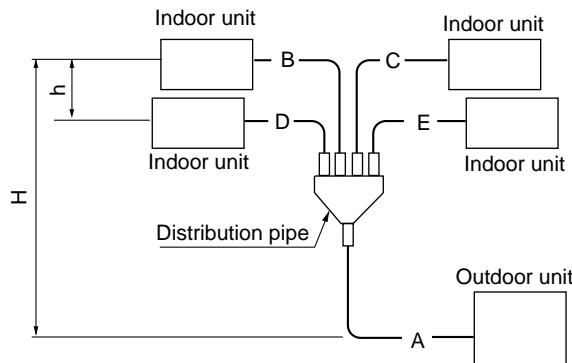
| Main pipe (mm) [A]     | Liquid pipe | O.D.   | P200(RP50x4)  |               |                |               |                |                |               |               |                |                | P250(RP60x4)   |               |                |               |               |                |               |               |                |                |
|------------------------|-------------|--------|---------------|---------------|----------------|---------------|----------------|----------------|---------------|---------------|----------------|----------------|----------------|---------------|----------------|---------------|---------------|----------------|---------------|---------------|----------------|----------------|
|                        |             |        | φ9.52<br>t0.8 |               | φ12.7<br>t0.8  |               | φ28.58<br>t1.0 |                | φ22.2<br>t1.0 |               | φ25.4<br>t1.0  |                | φ28.58<br>t1.0 |               | φ15.88<br>t1.0 |               | φ9.52<br>t0.8 |                | φ12.7<br>t0.8 |               | φ15.88<br>t1.0 |                |
| Gas pipe               | Gas pipe    | O.D.   | φ22.2<br>t1.0 | φ25.4<br>t1.0 | φ28.58<br>t1.0 | φ22.2<br>t1.0 | φ25.4<br>t1.0  | φ28.58<br>t1.0 | φ22.2<br>t1.0 | φ25.4<br>t1.0 | φ28.58<br>t1.0 | φ31.75<br>t1.1 | φ22.2<br>t1.0  | φ25.4<br>t1.0 | φ28.58<br>t1.0 | φ22.2<br>t1.0 | φ25.4<br>t1.0 | φ28.58<br>t1.0 | φ22.2<br>t1.0 | φ25.4<br>t1.0 | φ28.58<br>t1.0 | φ31.75<br>t1.1 |
| Branch pipe (mm) [B,C] | Liquid pipe | φ6.35  | □             | ○             | ○              | □△            | △              | △              | □△            | △             | △              | △              | △              | △             | △              | △             | △             | △              | △             | △             | △              | △              |
|                        | Gas pipe    | φ12.7  | 50m [30m]     | 70m [30m]     | 70m [30m]      | 50m [20m]     | 50m [20m]      | 50m [20m]      | 40m [20m]     | 40m [20m]     | 40m [20m]      | 40m [20m]      | 40m [20m]      | 40m [20m]     | 40m [20m]      | 40m [20m]     | 40m [20m]     | 40m [20m]      | 40m [20m]     | 40m [20m]     | 40m [20m]      | 40m [20m]      |
|                        | Liquid pipe | φ9.52  | □             | ○             | ○              | □△            | △              | △              | □△            | △             | △              | △              | □              | ○             | ○              | □             | Standard size | ○              | □△            | △             | △              | △              |
|                        | Gas pipe    | φ15.88 | 50m [30m]     | 70m [30m]     | 70m [30m]      | 50m [20m]     | 50m [20m]      | 50m [20m]      | 40m [20m]     | 40m [20m]     | 40m [20m]      | 40m [20m]      | 50m [30m]      | 70m [30m]     | 70m [30m]      | 50m [30m]     | 70m [30m]     | 70m [30m]      | 45m [20m]     | 45m [20m]     | 45m [20m]      | 45m [20m]      |



<TWIN SYSTEM>  
Total length A + B + C  
P100-140: 50 m  
P200, 250: 70 m



<TRIPLE SYSTEM>  
Total length A + B + C + D  
P140: 50 m  
P200, 250: 70 m



<QUADRUPLE SYSTEM>  
Total length A + B + C + D + E  
P200, 250 : 70 m

### (4) Pipe size and refrigerant pipe limits

|           | Outdoor unit | Pipe size (mm)    |                                    |  |                                   | Actual piping length <m>  |                    |                        | Height deffence <m> |                    | (Note 1)<br>No. of bend |                        |  |  |                        |
|-----------|--------------|-------------------|------------------------------------|--|-----------------------------------|---------------------------|--------------------|------------------------|---------------------|--------------------|-------------------------|------------------------|--|--|------------------------|
|           |              | Gas side          |                                    | Liquid side                                  |                                   | Total length<br>A+B+C+D+E | Indoor ~<br>Indoor | Branch pipe<br>B, C, D | Indoor ~<br>Outdoor | Indoor ~<br>Indoor |                         |                        |  |  |                        |
|           |              | Outdoor unit side | Indoor unit side                   | Outdoor unit side                            | Indoor unit side                  |                           |                    |                        |                     |                    |                         |                        |  |  |                        |
| TWIN      | 100-140      | φ15.88<br><5/8>   | RP50<br>φ12.7<1/2>                 | φ9.52<3/8>                                   | RP50<br>φ6.35<1/4>                | 50m                       | B-C <br>8m         | 20m                    | H30m                | h 1m               | 15                      |                        |  |  |                        |
| TRIPLE    | 140          |                   | RP60,71<br>φ15.88<5/8>             |  | RP60,71<br>φ9.52<3/8>             |                           |                    |                        |                     |                    |                         | B-C   C-D   B-D <br>8m |  |  |                        |
| TWIN      | 200, 250     | φ25.4 <1>         | RP60,71<br>100, 125<br>φ15.88<5/8> | φ9.52<3/8><br>(P200)<br>φ12.7<1/2><br>(P250) | RP60,71<br>100, 125<br>φ9.52<3/8> | 70m                       | B-C <br>8m         | 30m                    |                     |                    |                         |                        |  |  |                        |
| TRIPLE    |              |                   |                                    |  |                                   |                           |                    |                        |                     |                    |                         |                        |  |  | B-C   C-D   B-D <br>8m |
| QUADRUPLE |              |                   |                                    |  |                                   |                           |                    |                        |                     |                    |                         |                        |  |  |                        |

Note1. The number of bends in the refrigerant pipe is respectively 8 or less in the range of <A+B> <A+C> <A+D>.  
2. PUHZ-P100: 20 m chargeless PUHZ-P125-250: 30 m chargeless



## 8-2. ADJUSTING THE AMOUNT OF REFRIGERANT

- Check additional refrigerant charging amount referring to table 5, 6 when liquid pipe is one size larger than standard diameter.

<Table 5> Required additional charge when the liquid pipe is one size larger than the standard diameter (1:1 SYSTEM)

|          | Liquid pipe dia. | Chargeless | Max. pipe length | Refrigerant amount to be added  |
|----------|------------------|------------|------------------|---|
| P100     | φ12.7            | 10m        | 25m              | 100 g per 1 m longer than 10 m  |
| P125,140 | φ12.7            | 10m        | 30m              | 100 g per 1 m longer than 10 m  |
| P200     | φ15.88           | 20m        | 40m              | Additional refrigerant amount (Longer than 20 m)<br>$\Delta W(g) = 180 \times \text{pipe length}(m) - 3000$ |
| P250     | φ15.88           | 20m        | 45m              |   |

If the calculation produces a negative number ( $\Delta W \leq 0$ ), additional charging is not necessary.

<Table 6> Required additional charge when the liquid pipe is one size larger than the standard diameter (TWIN/TRIPLE/QUADRUPLE SYSTEM)

| Capacity     | When the extension pipe length (main piping + branch piping) exceeds 10 m(P100-140)/20m(P200, 250)                       |
|--------------|--|
| P100,125,140 | Additional refrigerant amount $\Delta W(g) = (100 \times L2) + (60 \times L3) + (30 \times L4) - 2000$                   |
| P200, 250    | Additional refrigerant amount $\Delta W(g) = (180 \times L1) + (120 \times L2) + (90 \times L3) + (30 \times L4) - 3000$ |

If the calculation produces a negative number ( $\Delta W \leq 0$ ), additional charging is not necessary.

L1: φ15.88 liquid pipe length (m)      L2: φ12.7 liquid pipe length (m)

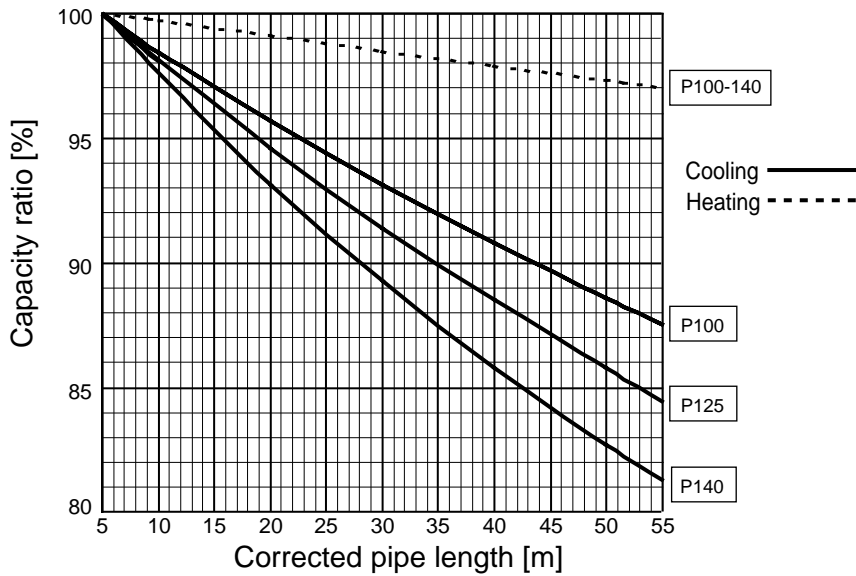
L3: φ9.52 liquid pipe length (m)      L4: φ6.35 liquid pipe length (m)

<Table 7> Additional refrigerant charging amount for pipe of standard diameter

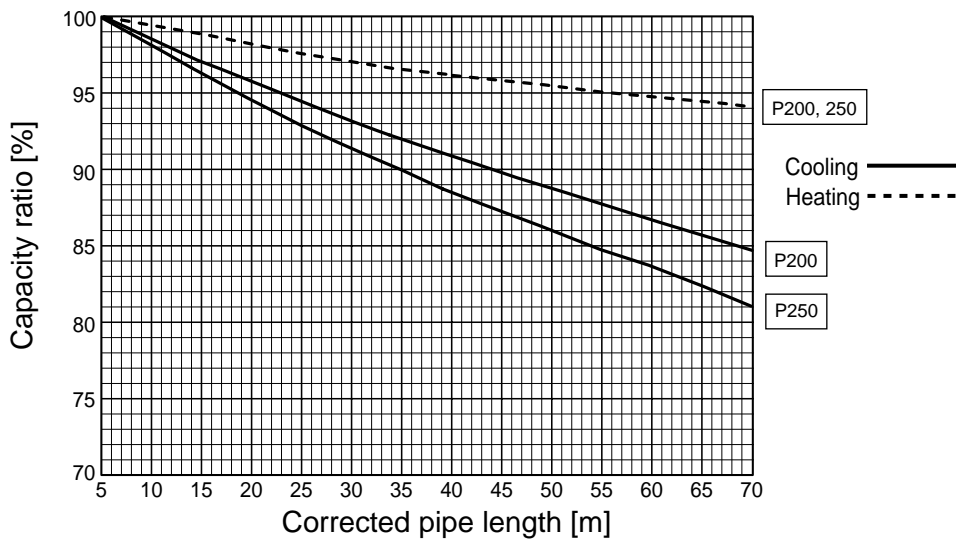
| Outdoor unit                  | Max. pipe length | Amount of unit filling refrigerant (kg) | Additional refrigerant charging amount for pipe length exceeding 30 m (kg) |          |          |          |          |
|-------------------------------|------------------|---|--|----------|----------|----------|----------|
|                               |                  |   | 21 — 30m   | 31 — 40m | 41 — 50m | 51 — 60m | 61 — 70m |
| PUHZ-P100VHA3<br>PUHZ-P100YHA | 50m              | 3.0kg                                   | 0.6kg  | 1.2kg    | 1.8kg    | /        | /        |
| PUHZ-P125VHA3<br>PUHZ-P125YHA | 50m              | 4.5kg                                   | /  | 0.6kg    | 1.2kg    |          |          |
| PUHZ-P140VHA3<br>PUHZ-P140YHA | 50m              | 4.5kg                                   | /  | 0.6kg    | 1.2kg    |          |          |
| PUHZ-P200YHA3                 | 70m              | 5.8kg                                   | /  | 0.9kg    | 1.8kg    | 2.7kg    | 3.6kg    |
| PUHZ-P250YHA3                 | 70m              | 7.1kg                                   | /  | 1.2kg    | 2.4kg    | 3.6kg    | 4.8kg    |

### 8-3. CAPACITY CURVE

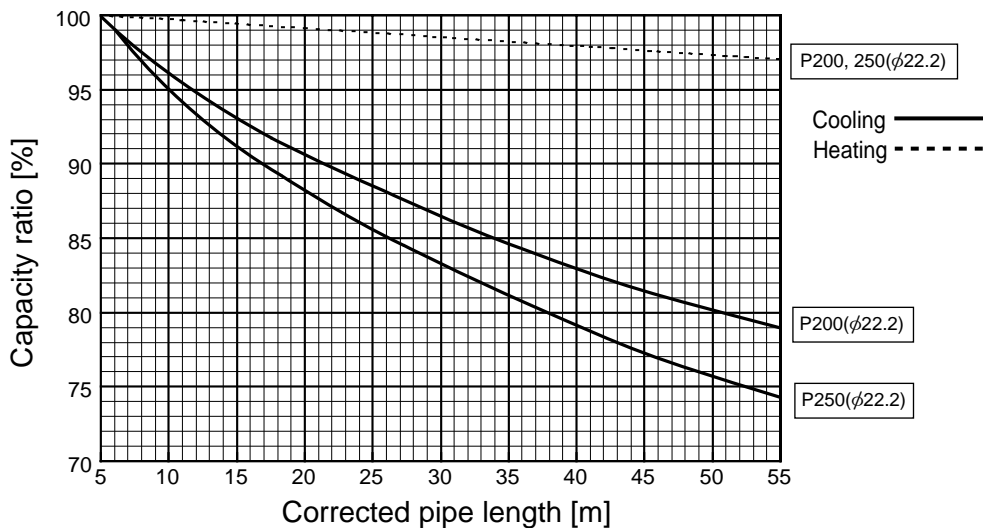
#### ■ PUAZ-P100/125/140VHA3, PUAZ-P100/125/140YHA <Standard size>



#### ■ PUAZ-P200/250YHA3 <Standard size>



#### ■ PUAZ-P200/250YHA3 <Gas pipe's diameter is one size smaller than the standard size.>



## 9

## AIR FLOW DATA

## 9-1. OUTLET AIR SPEED AND COVERAGE RANGE

|                |                      | PLA-RP50BA | PLA-RP60BA | PLA-RP71BA<br>PLA-RP71BA2 | PLA-RP100BA<br>PLA-RP100BA3 | PLA-RP125BA<br>PLA-RP125BA2 | PLA-RP140BA2 |
|----------------|----------------------|------------|------------|---------------------------|-----------------------------|-----------------------------|--------------|
| Airflow        | m <sup>3</sup> /min. | 18         | 18         | 21                        | 30                          | 31                          | 32           |
| Air speed      | m/sec.               | 3.2        | 3.2        | 3.7                       | 5.3                         | 5.4                         | 5.6          |
| Coverage range | m                    | 4.8        | 4.8        | 5.6                       | 8.0                         | 8.2                         | 8.5          |

|                |                      | PCA-RP50KA | PCA-RP60KA | PCA-RP71KA | PCA-RP100KA | PCA-RP125KA | PCA-RP140KA |
|----------------|----------------------|------------|------------|------------|-------------|-------------|-------------|
| Airflow        | m <sup>3</sup> /min. | 15         | 19         | 20         | 28          | 29          | 32          |
| Air speed      | m/sec.               | 3.3        | 3.1        | 3.2        | 3.6         | 3.7         | 4.1         |
| Coverage range | m                    | 9.0        | 9.6        | 10.1       | 12.5        | 12.9        | 14.2        |

|                |                      | PCA-RP71HA | PCA-RP125HA |
|----------------|----------------------|------------|-------------|
| Airflow        | m <sup>3</sup> /min. | 19         | 38          |
| Air speed      | m/sec.               | 2.9        | 4.2         |
| Coverage range | m                    | 7.9        | 13.2        |

|                |                      | PKA-RP50HAL |
|----------------|----------------------|-------------|
| Airflow        | m <sup>3</sup> /min. | 12          |
| Air speed      | m/sec.               | 6.1         |
| Coverage range | m(ft)                | 10.8(35.4)  |

|                |                      | PKA-RP60KAL | PKA-RP71KAL | PKA-RP100KAL |
|----------------|----------------------|-------------|-------------|--------------|
| Airflow        | m <sup>3</sup> /min. | 22          | 22          | 26           |
| Air speed      | m/sec.               | 6.0         | 6.0         | 6.8          |
| Coverage range | m(ft)                | 14.3(46.9)  | 14.3(46.9)  | 16.1(52.8)   |

|                |                      | PSA-RP71GA | PSA-RP100GA | PSA-RP125GA | PSA-RP140GA |
|----------------|----------------------|------------|-------------|-------------|-------------|
| Airflow        | m <sup>3</sup> /min. | 18         | 31          | 33          | 35          |
| Air speed      | m/sec.               | 2.6        | 4.5         | 4.8         | 4.9         |
| Coverage range | m                    | 8.3        | 14.3        | 15.2        | 16.1        |

※ The air coverage range is the distance to which the 0.25m/sec air can reach, when air is blown out horizontally from the unit at the High notch position.  
The coverage range should be used only as a general guideline since it varies according to the size of the room and the furniture inside the room.

## 9-2. PLA-RP-BA

### 9-2-1 FRESH AIR INTAKE AND BRANCH DUCT

#### 1. Branch duct hole and fresh air intake hole (Fig. 1)

At the time of installation, use the duct holes (cut out) located at the positions shown in Fig.1, as and when required.  
 • A fresh air intake hole for the optional multi function casement can also be made.

**Note:**

The figure marked with \* in the drawing represent the dimensions of the main unit excluding those of the optional multi function casement.

When installing the optional multi function casement, add 135 mm to the dimensions marked on the figure.

When installing the branch ducts, be sure to insulate adequately.

Otherwise condensation and dripping may occur.

Unit : mm

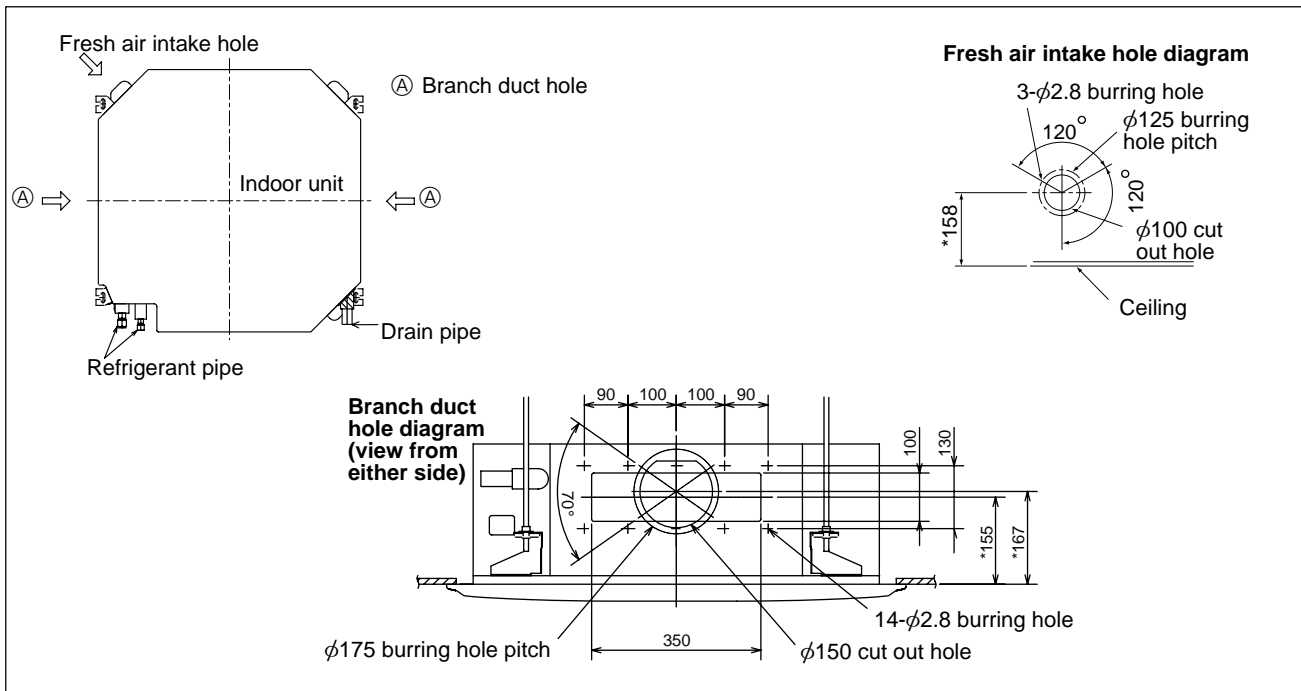
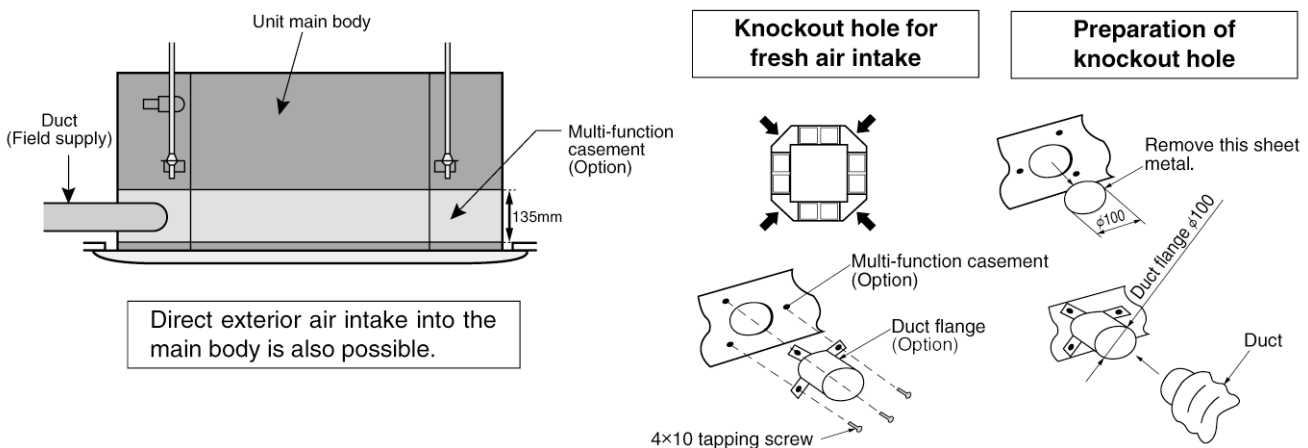


Fig. 1

#### 2. Fresh air intake (Installation at site)

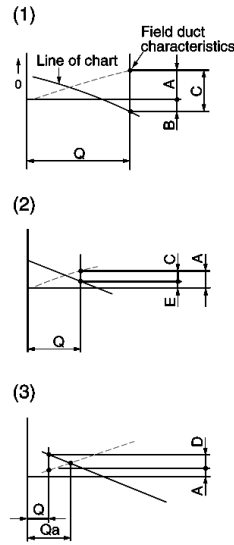
- By mounting the optional multi-function casement to the indoor unit main body, and mounting the duct and duct flange (option) onto it further, fresh exterior air intake can be accomplished.

(The mounting of the multi-function casement increases the height of the ceiling plenum by 135mm.)



### 3. Fresh air intake volume & static pressure characteristics

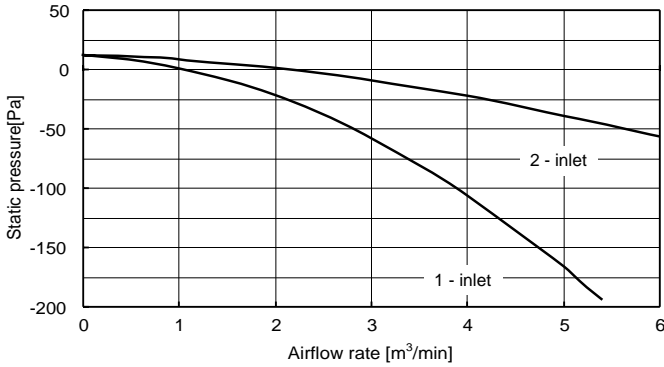
**How to read the chart**



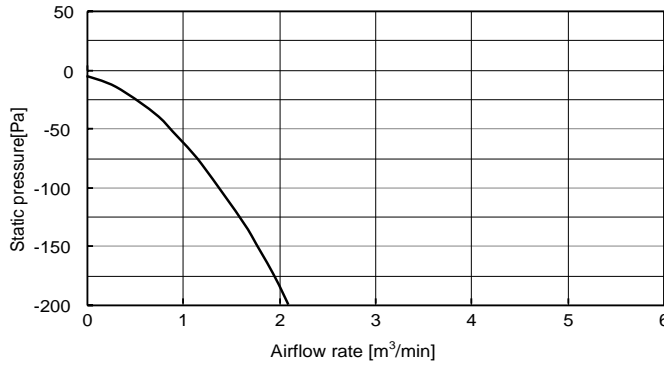
- Q .... Design fresh air intake volume (m<sup>3</sup>/min)
- A ..... Static pressure loss [Pa] of fresh air intake duct at airflow rate of Q
- B ..... Required boost pressure [Pa] of air conditioner inlet at airflow rate of Q
- C ..... Required static pressure [Pa] of booster fan at airflow rate of Q
- D ..... Required compensation [Pa] for static pressure loss of fresh air intake duct to make air flow rate Q
- E ..... Static pressure [Pa] of indoor unit at airflow rate of Q
- Qa .. Estimated fresh air intake [m<sup>3</sup>/min] without compensation of D

**PLA-RP50~71BA(2)**

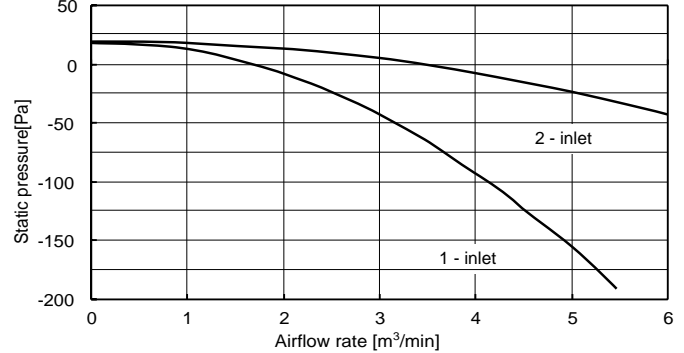
① At using multi-function casement, standard filter



② Direct intake to unit

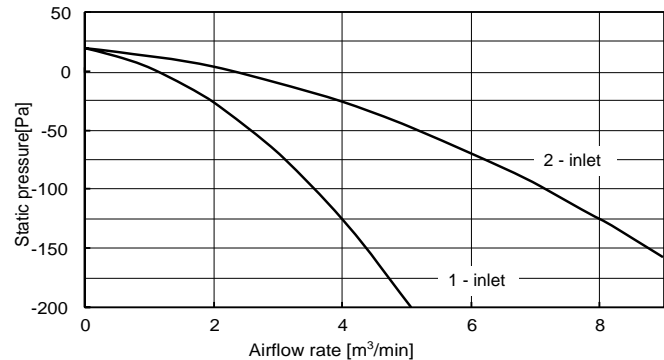


③ At using multi-function casement, high efficiency filter

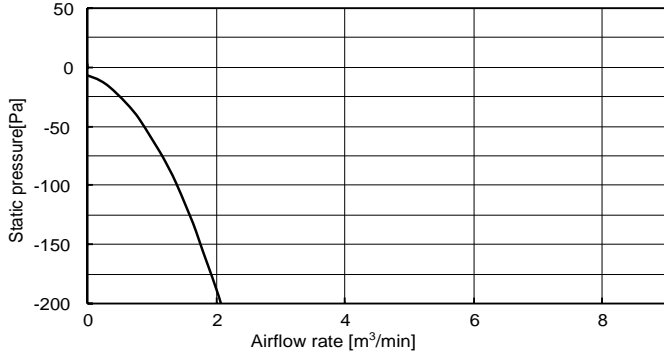


**PLA-RP100BA(3), PLA-RP125, 140BA(2)**

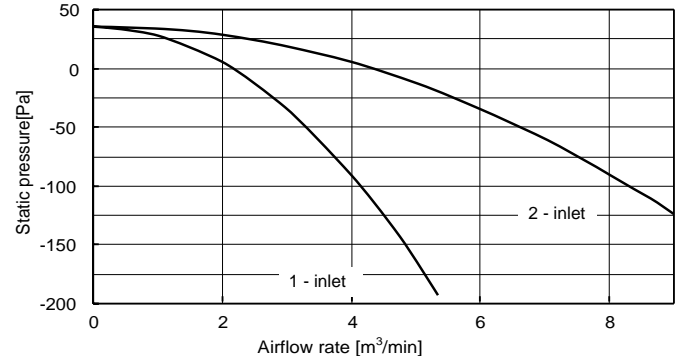
① At using multi-function casement, standard filter



② Direct intake to unit



③ At using multi-function casement, high efficiency filter

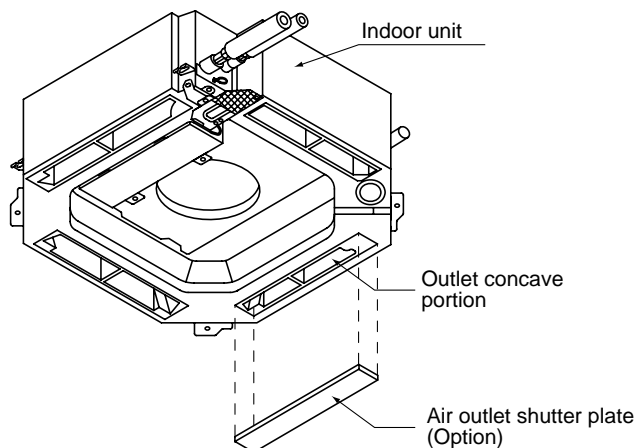
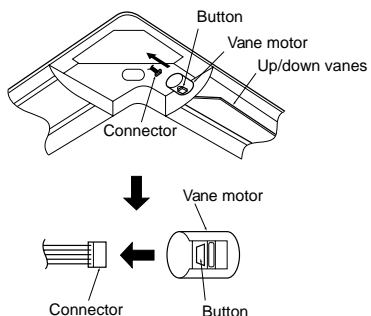


#### 4. Change of outlet numbers

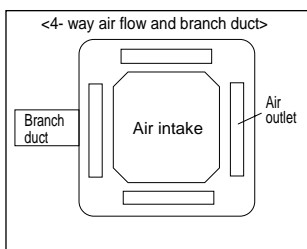
[The optional air outlet is necessary.]

To change the air outlet number to 3-, or 2-way outlet, the outlet number should be closed with the operational air outlet shutter.

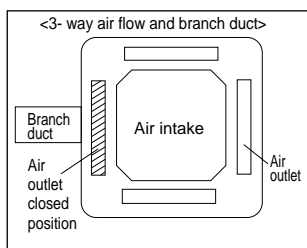
(When the air outlets are closed, close the vane by removing the vane connector.)



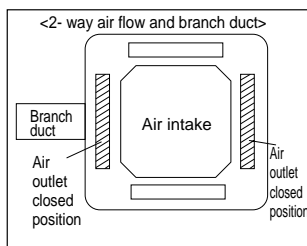
#### 5. Branch duct and change of outlet numbers



※ Branch duct should be connected to one of the branch duct holes on the main unit.

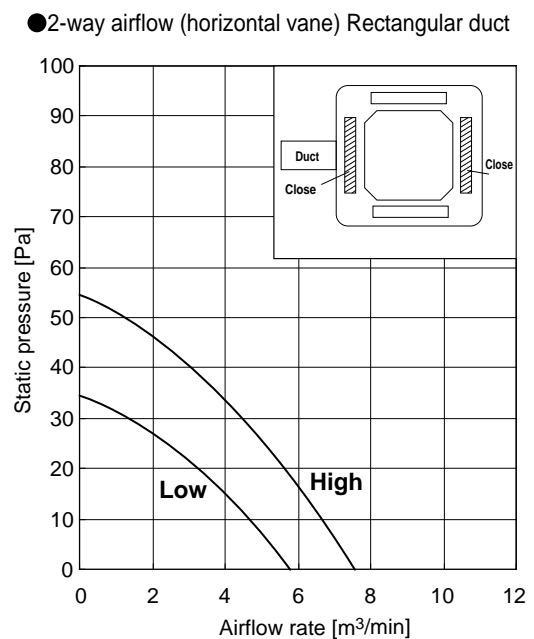
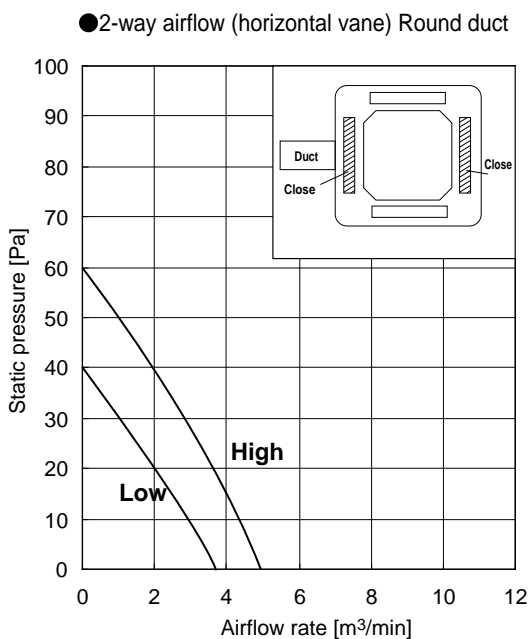
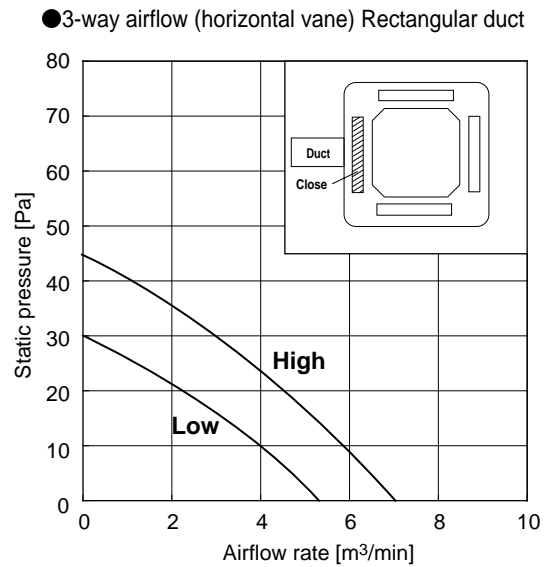
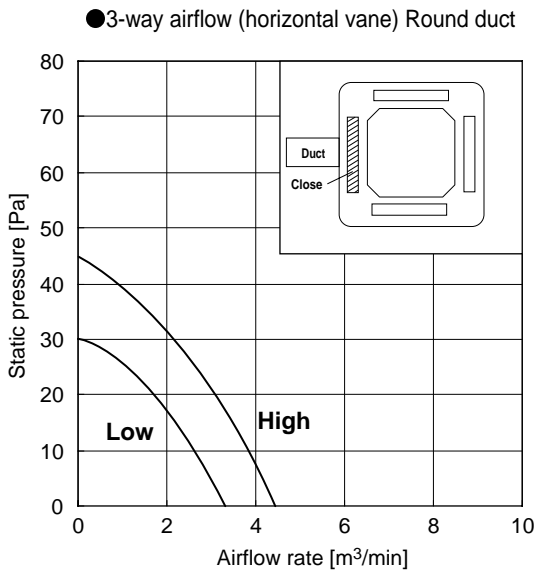
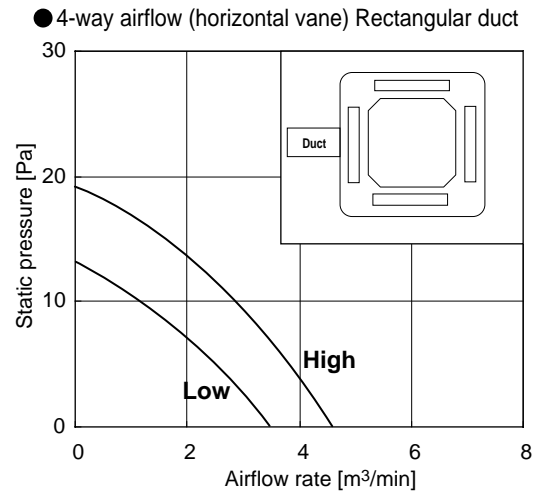
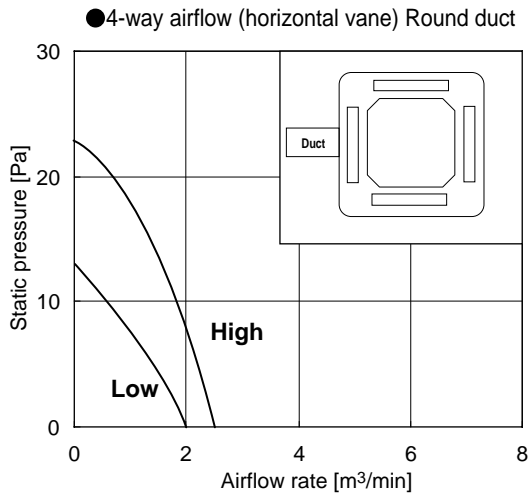


※ Close the outlet on the side of branch duct and air flows in 3 directions.



※ Close the outlet on the side of branch duct and one of the other outlets. Air flows in 2 directions.

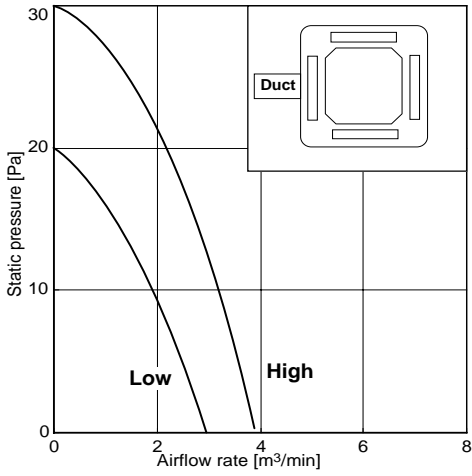
## PLA-RP71BA(2)



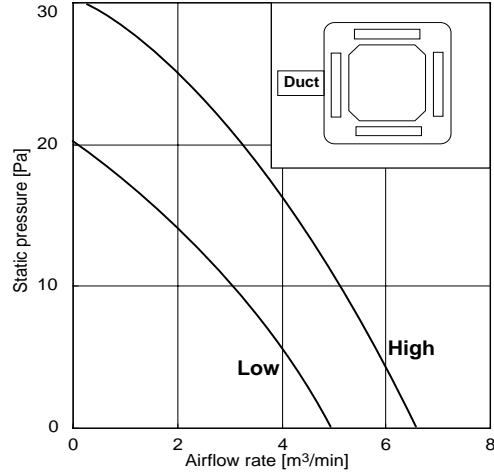
- Use 1 of the 2 duct holes on the indoor unit.
- Airflow rate of PLA-RP50, 60BA can be calculated from the airflow rate based on the characteristic of the duct for PLA-RP71BA(2).
- Use the optional air outlet shutter plate (PAC-SH51SP-E) for 3-way and 2-way airflow.

# PLA-RP125BA(2)

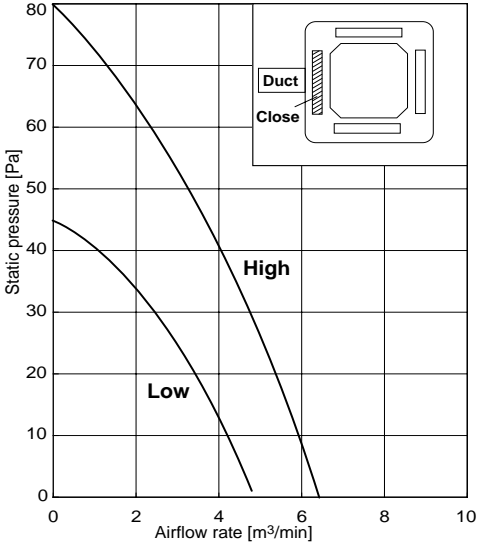
● 4-way airflow (horizontal vane) Round duct



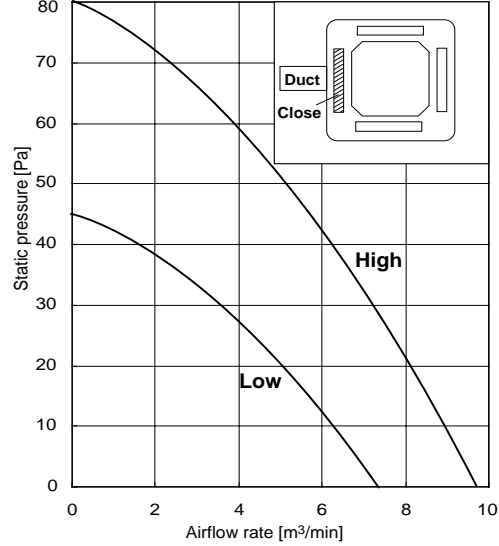
● 4-way airflow (horizontal vane) Rectangular duct



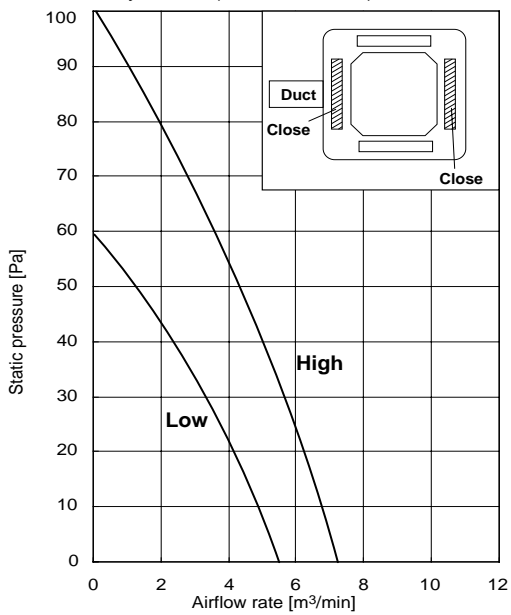
● 3-way airflow (horizontal vane) Round duct



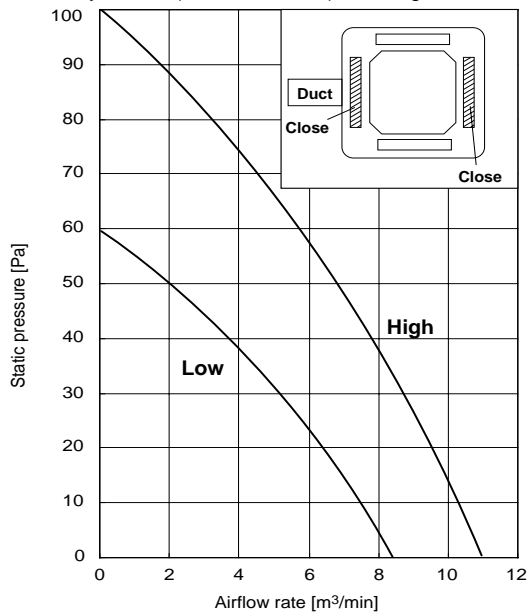
● 3-way airflow (horizontal vane) Rectangular duct



● 2-way airflow (horizontal vane) Round duct



● 2-way airflow (horizontal vane) Rectangular duct



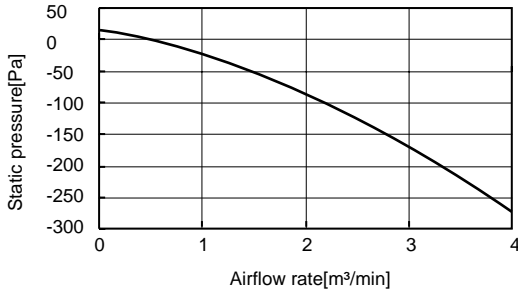
- Use 1 of the 2 duct holes on the indoor unit.
- Airflow rate of PLA-RP100BA(3), PLA-RP140BA2 can be calculated from the airflow rate based on the characteristic of the duct for PLA-RP125BA(2).
- Use the optional air outlet shutter plate (PAC-SH51SP-E) for 3-way and 2-way airflow.



### 9-3. PCA-RP-KA

#### Fresh air intake amount & static pressure characteristics

##### ■ PCA-RP50KA



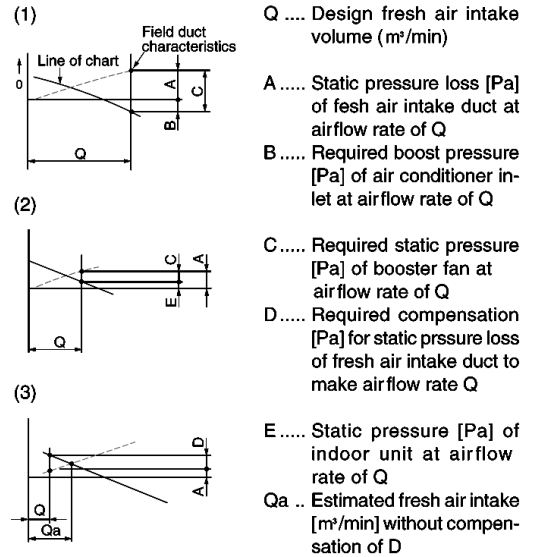
##### ■ PCA-RP60, 71KA



##### ■ PCA-RP100, 125, 140KA

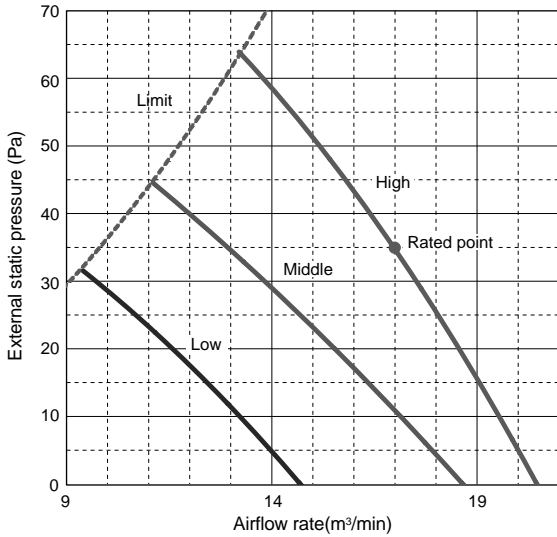


#### How to read the chart

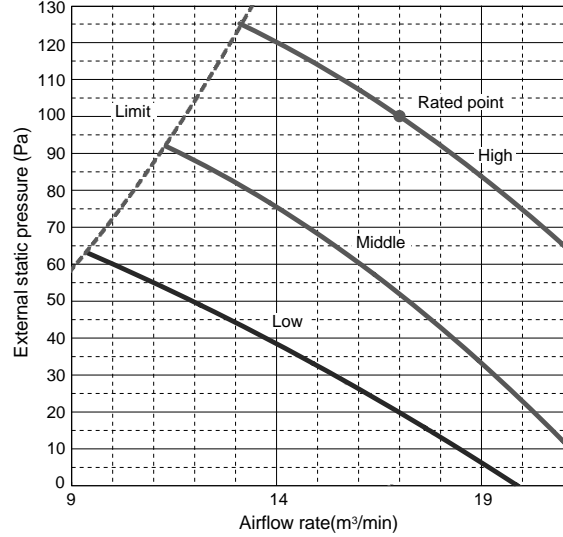


## 9-4. PEAD-RP-JA(L) Fan performance

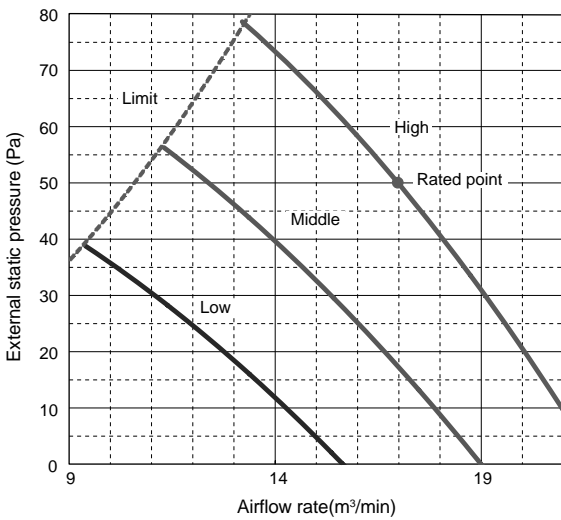
**PEAD-RP50JA(L)**  
(External static pressure 35Pa) 220-240V 50Hz



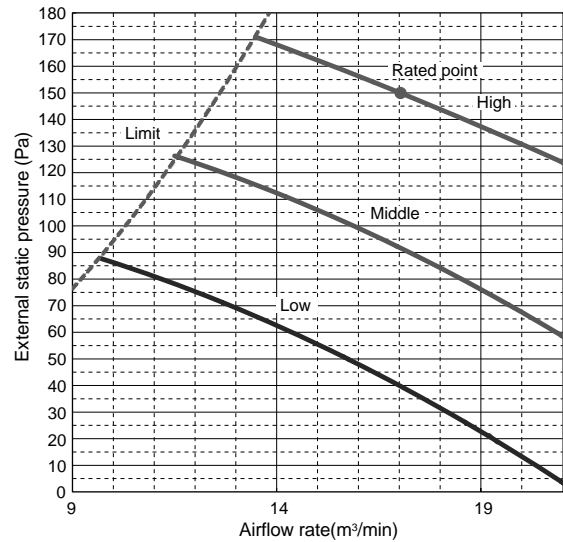
**PEAD-RP50JA(L)**  
(External static pressure 100Pa) 220-240V 50Hz



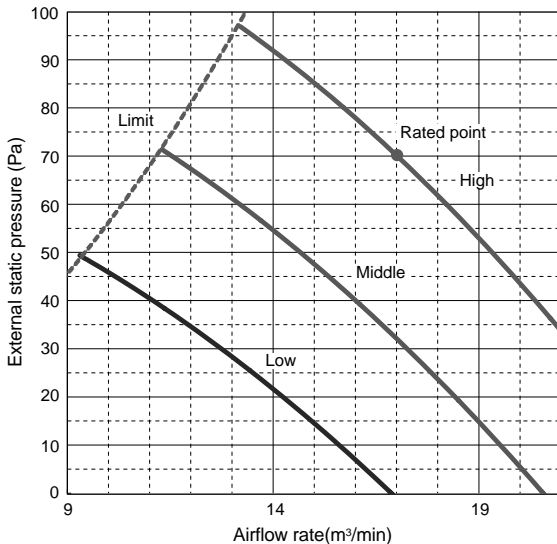
**PEAD-RP50JA(L)**  
(External static pressure 50Pa) 220-240V 50Hz



**PEAD-RP50JA(L)**  
(External static pressure 150Pa) 220-240V 50Hz

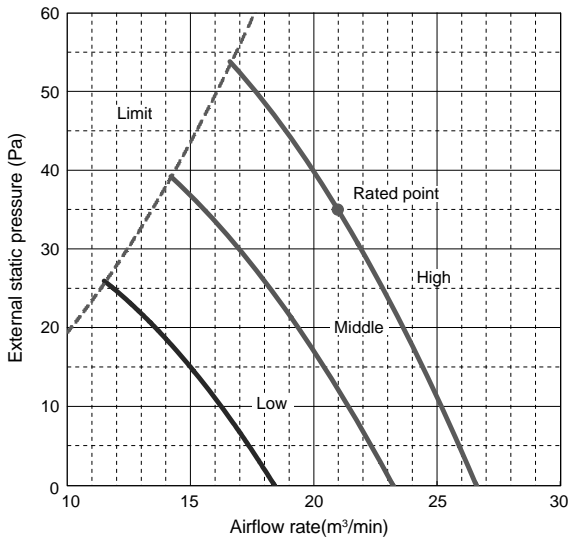


**PEAD-RP50JA(L)**  
(External static pressure 70Pa) 220-240V 50Hz

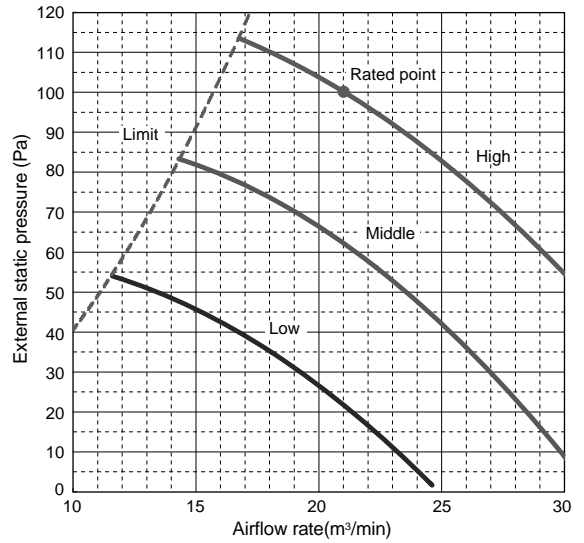




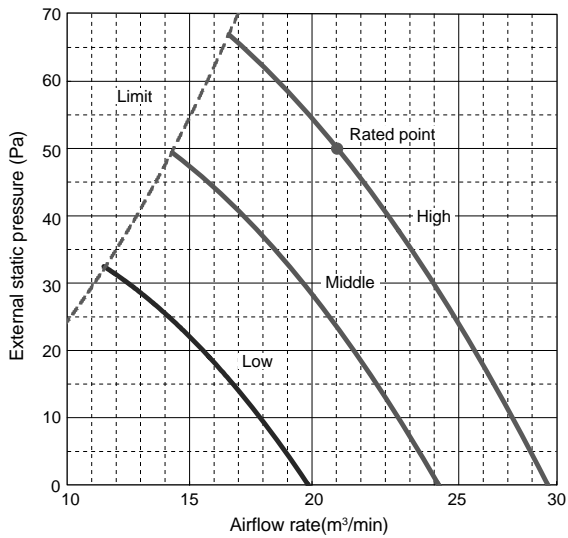
**PEAD-RP60JA(L)**  
(External static pressure 35Pa) 220-240V 50Hz



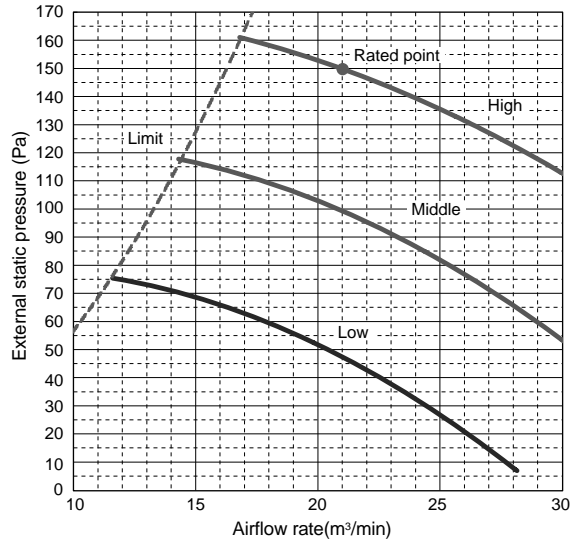
**PEAD-RP60JA(L)**  
(External static pressure 100Pa) 220-240V 50Hz



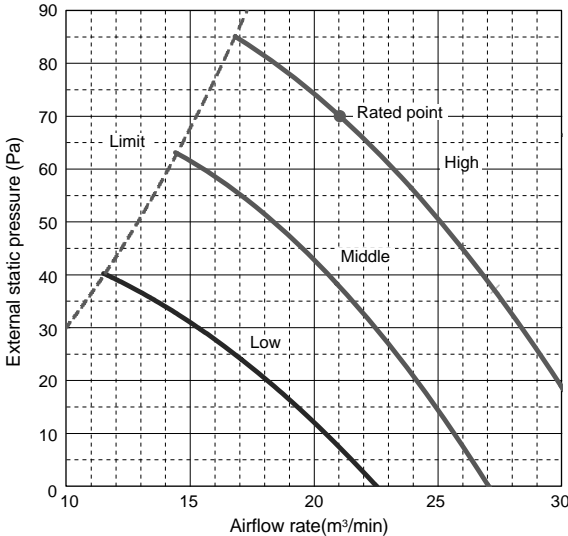
**PEAD-RP60JA(L)**  
(External static pressure 50Pa) 220-240V 50Hz



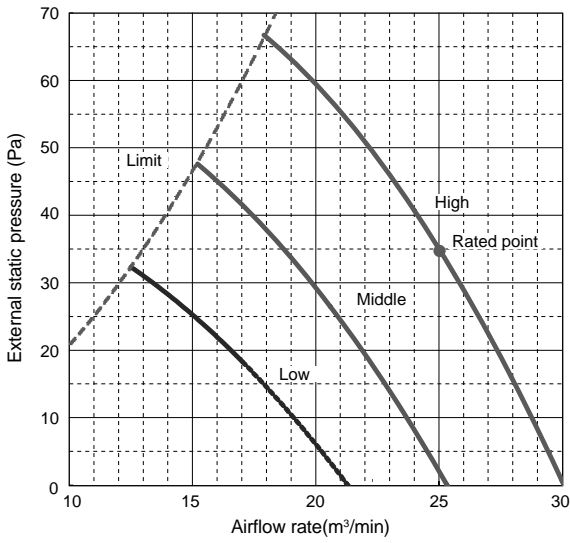
**PEAD-RP60JA(L)**  
(External static pressure 150Pa) 220-240V 50Hz



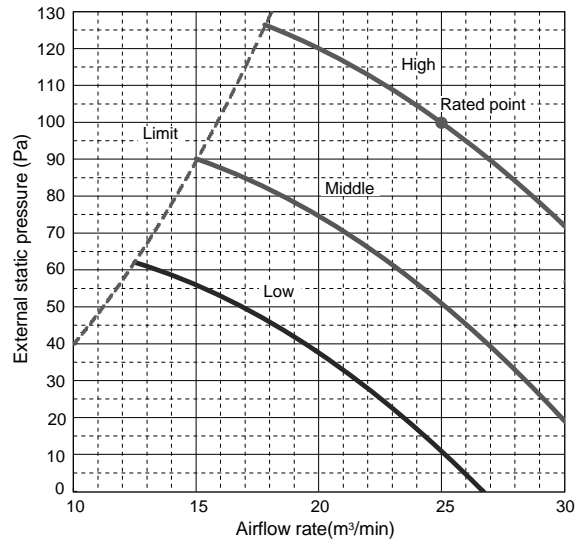
**PEAD-RP60JA(L)**  
(External static pressure 70Pa) 220-240V 50Hz



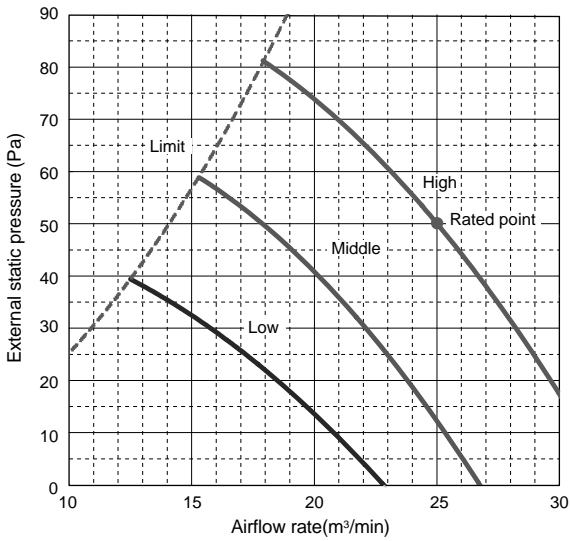
**PEAD-RP71JA(L)**  
 (External static pressure 35Pa) 220-240V 50Hz



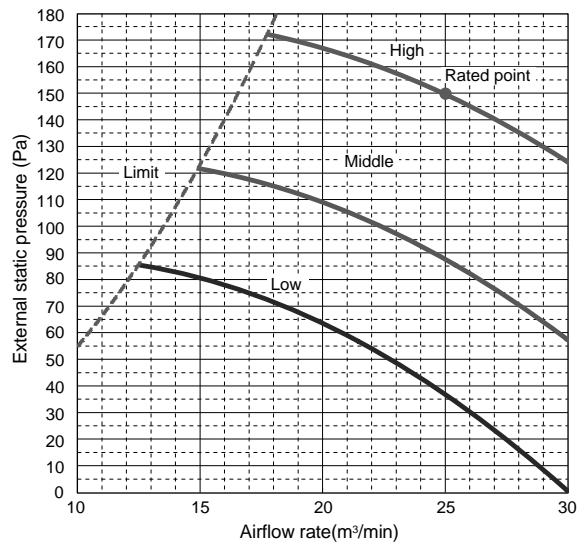
**PEAD-RP71JA(L)**  
 (External static pressure 100Pa) 220-240V 50Hz



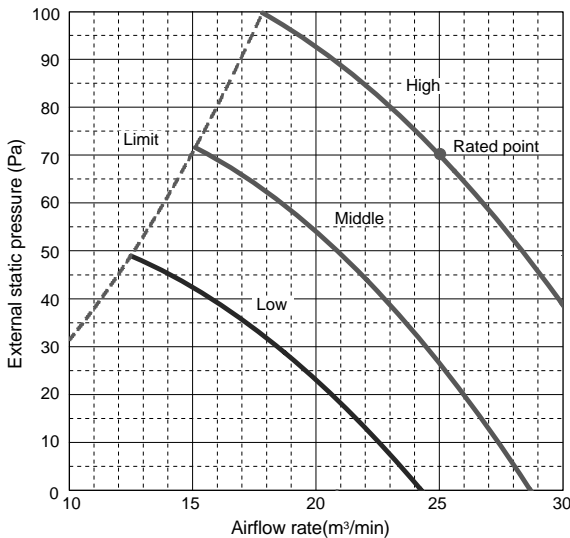
**PEAD-RP71JA(L)**  
 (External static pressure 50Pa) 220-240V 50Hz



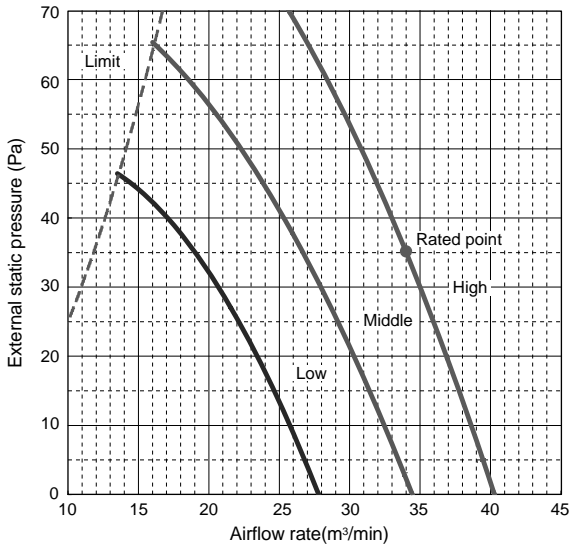
**PEAD-RP71JA(L)**  
 (External static pressure 150Pa) 220-240V 50Hz



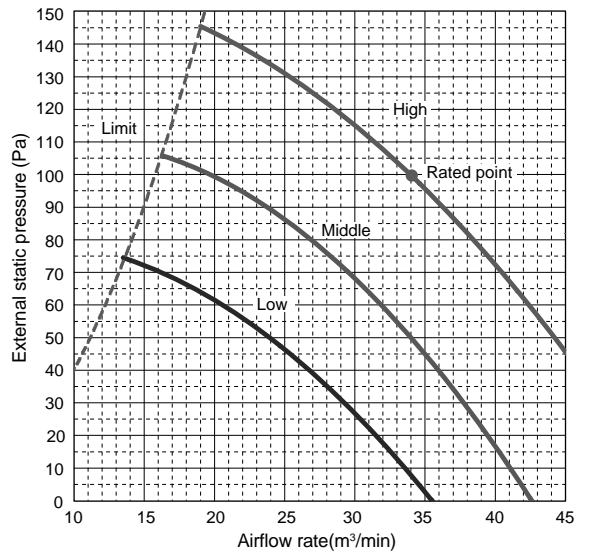
**PEAD-RP71JA(L)**  
 (External static pressure 70Pa) 220-240V 50Hz



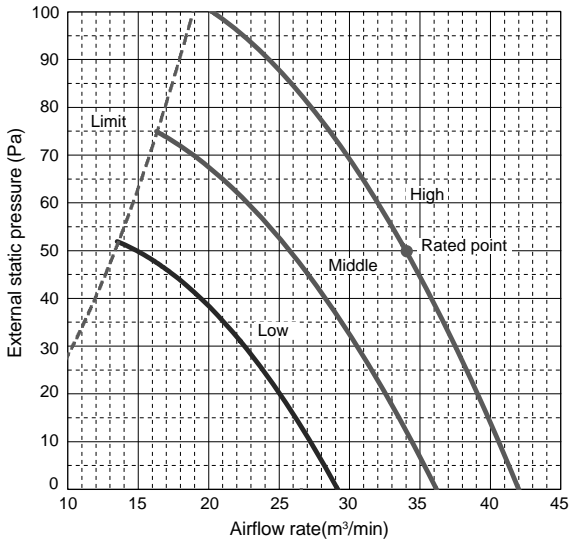
**PEAD-RP100JA(L)**  
**(External static pressure 35Pa) 220-240V 50Hz**



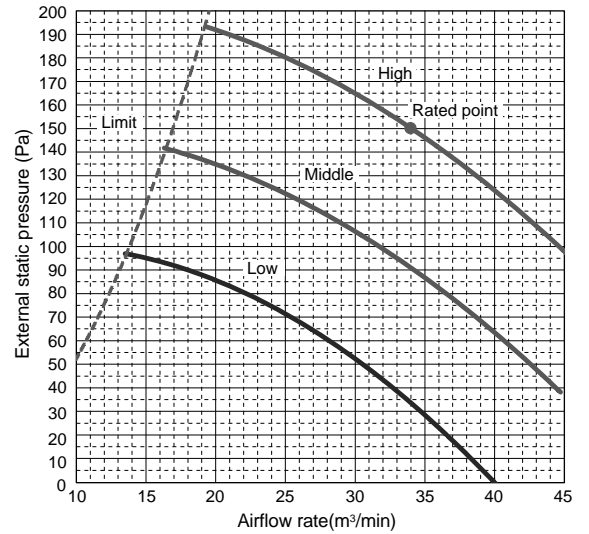
**PEAD-RP100JA(L)**  
**(External static pressure 100Pa) 220-240V 50Hz**



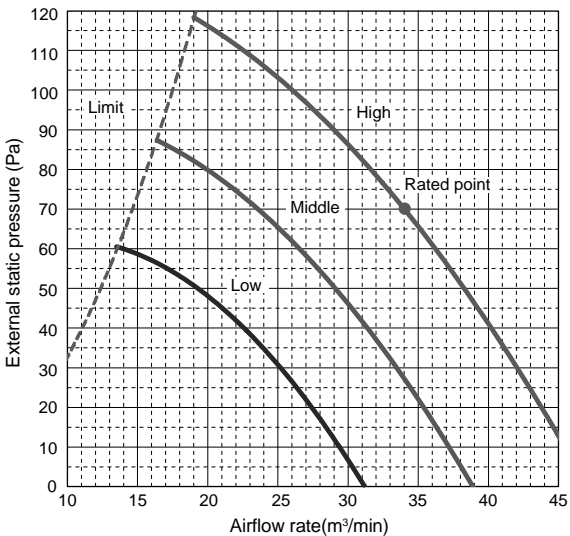
**PEAD-RP100JA(L)**  
**(External static pressure 50Pa) 220-240V 50Hz**



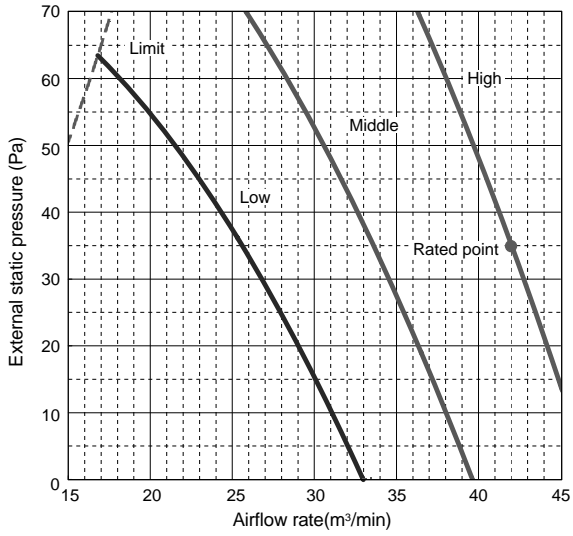
**PEAD-RP100JA(L)**  
**(External static pressure 150Pa) 220-240V 50Hz**



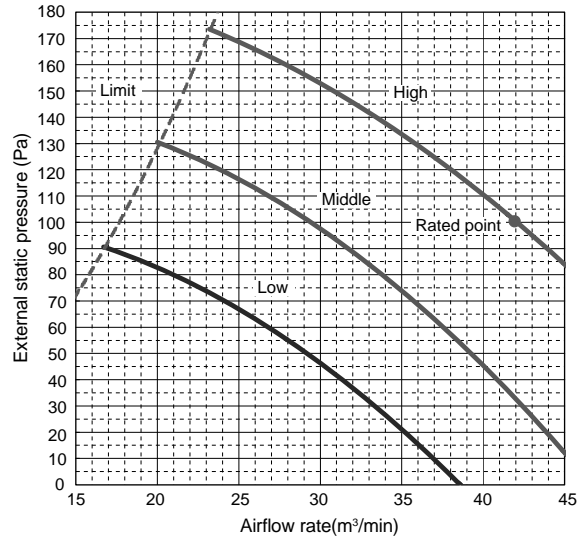
**PEAD-RP100JA(L)**  
**(External static pressure 70Pa) 220-240V 50Hz**



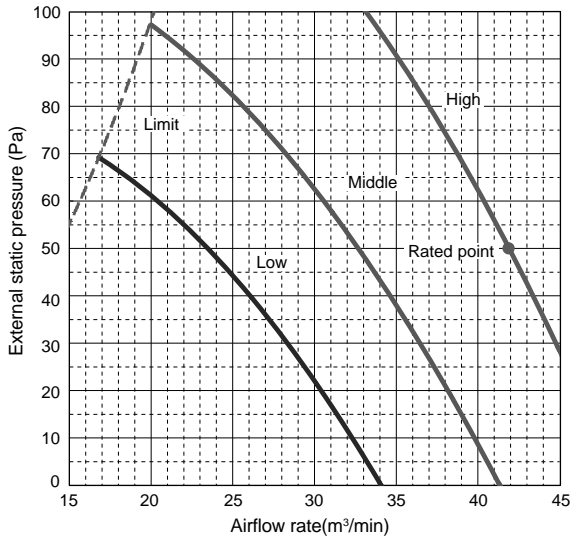
**PEAD-RP125JA(L)**  
 (External static pressure 35Pa) 220-240V 50Hz



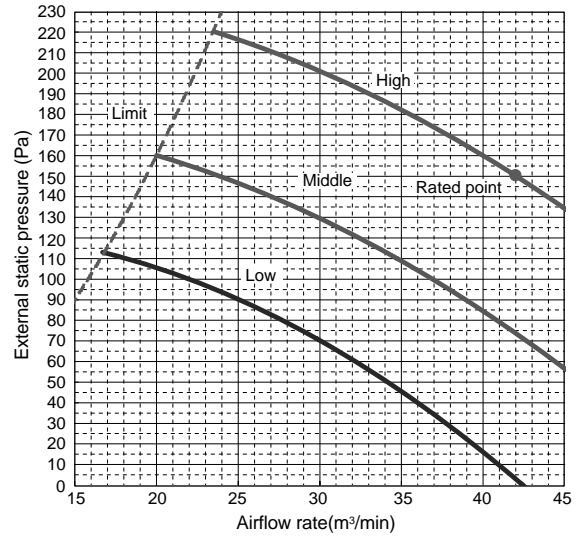
**PEAD-RP125JA(L)**  
 (External static pressure 100Pa) 220-240V 50Hz



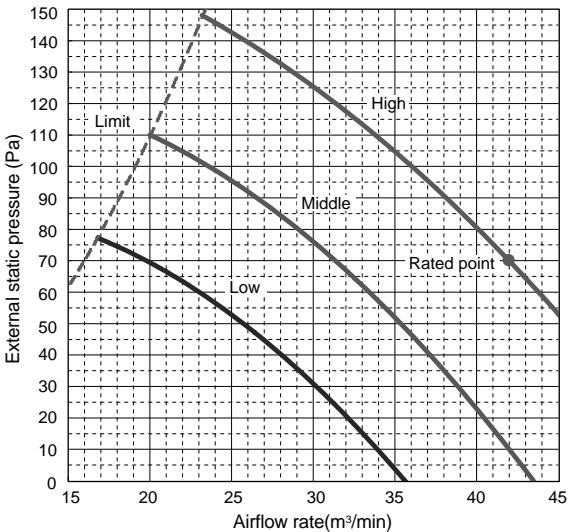
**PEAD-RP125JA(L)**  
 (External static pressure 50Pa) 220-240V 50Hz



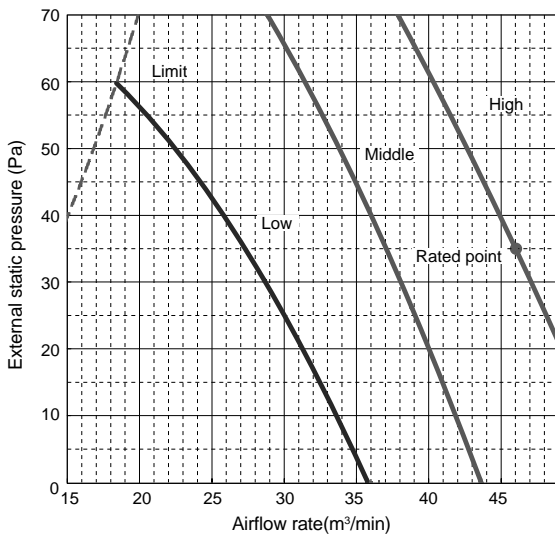
**PEAD-RP125JA(L)**  
 (External static pressure 150Pa) 220-240V 50Hz



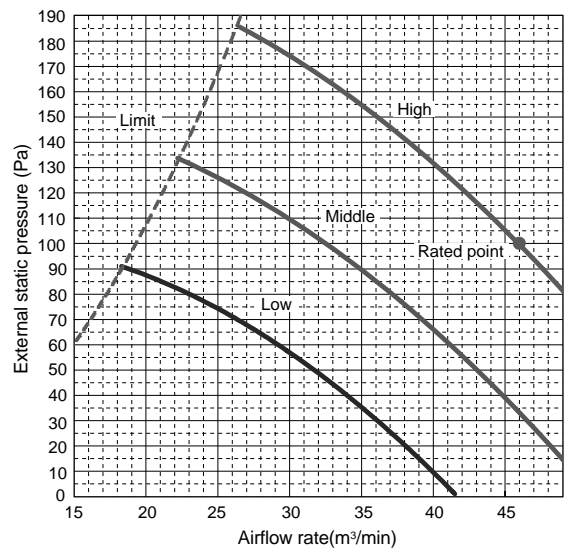
**PEAD-RP125JA(L)**  
 (External static pressure 70Pa) 220-240V 50Hz



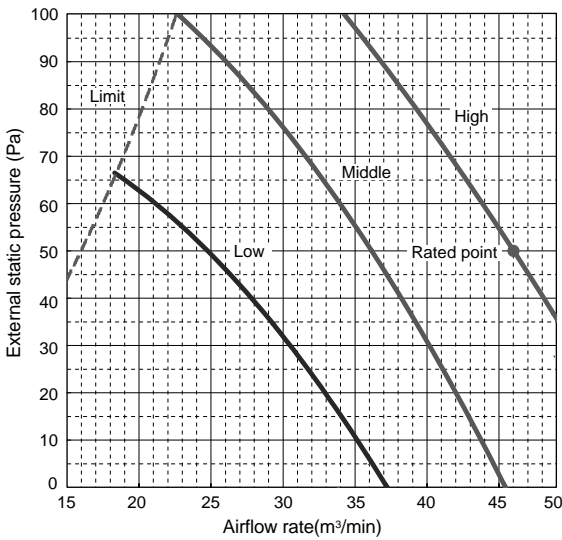
**PEAD-RP140JA(L)**  
**(External static pressure 35Pa) 220-240V 50Hz**



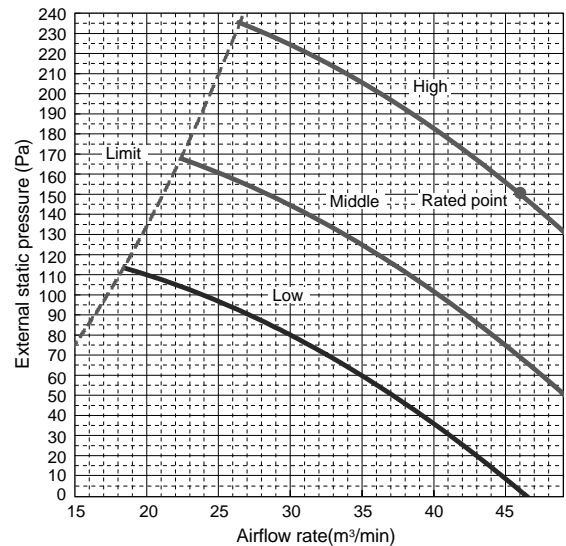
**PEAD-RP140JA(L)**  
**(External static pressure 100Pa) 220-240V 50Hz**



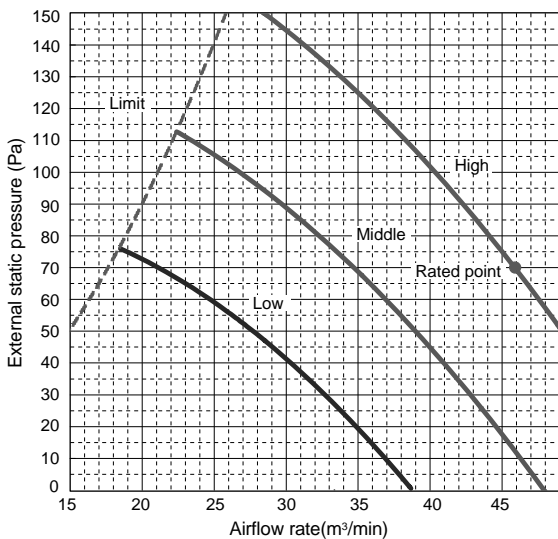
**PEAD-RP140JA(L)**  
**(External static pressure 50Pa) 220-240V 50Hz**



**PEAD-RP140JA(L)**  
**(External static pressure 150Pa) 220-240V 50Hz**

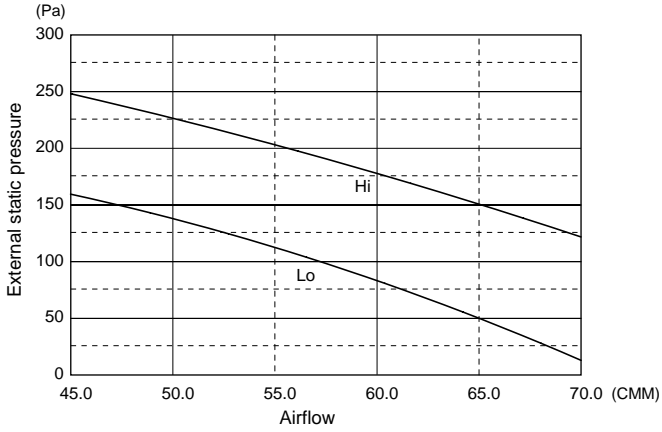


**PEAD-RP140JA(L)**  
**(External static pressure 70Pa) 220-240V 50Hz**

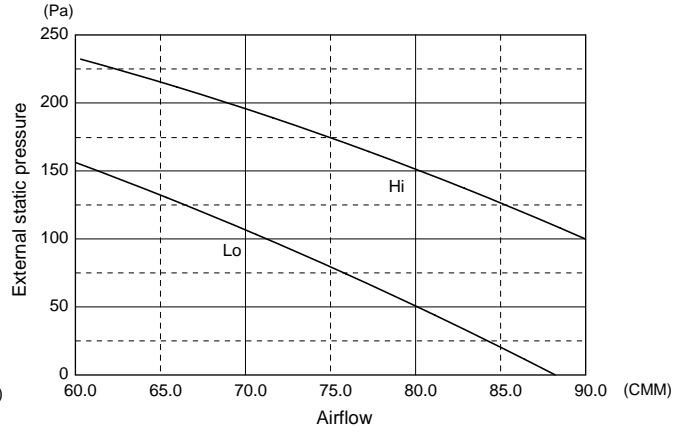


## 9-5. PEA-RP-GA Fan Performance Curve

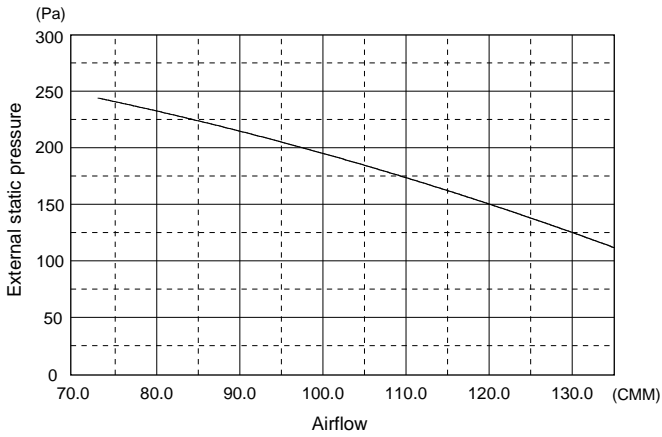
**PEA-RP200GA**  
Fan Performance Curve 50Hz



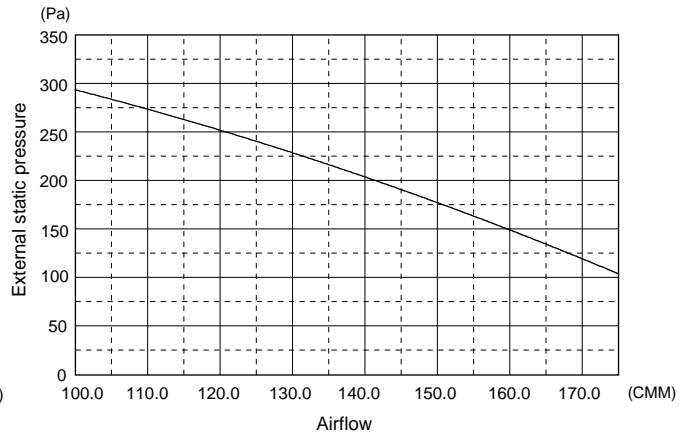
**PEA-RP250GA**  
Fan Performance Curve 50Hz



**PEA-RP400GA**  
Fan Performance Curve 50Hz



**PEA-RP500GA**  
Fan Performance Curve 50Hz



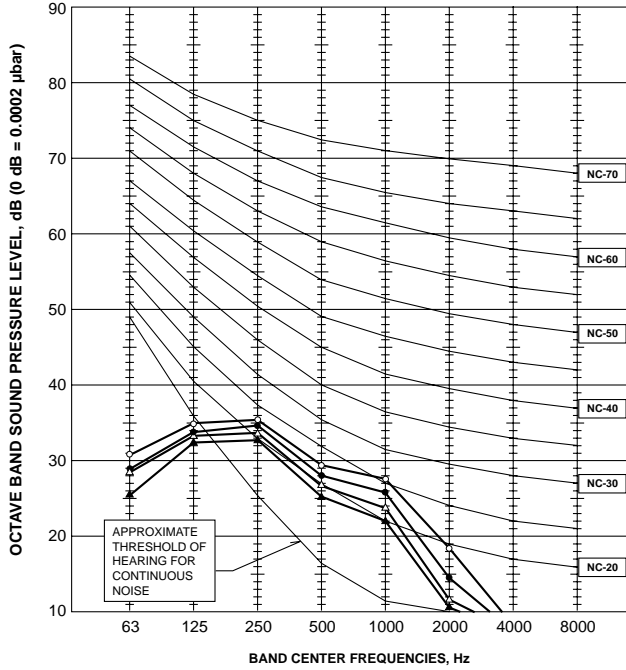


# 10 NOISE CRITERION CURVES

## 10-1. INDOOR UNIT

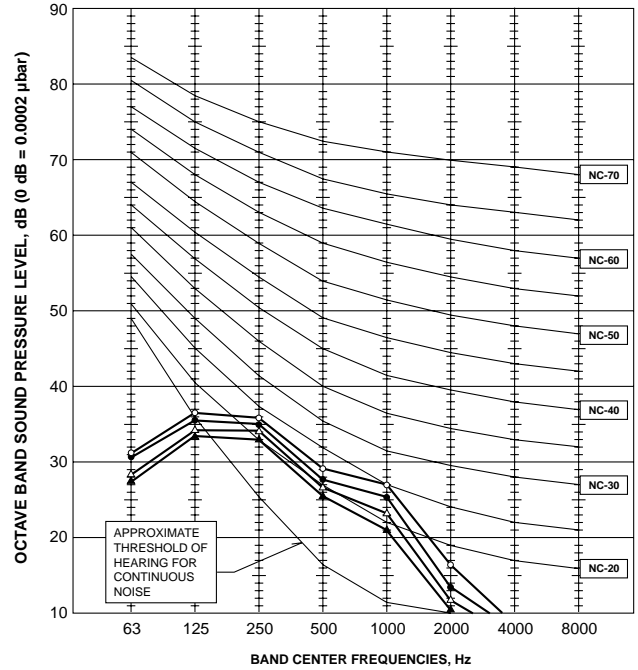
### PLA-RP50BA

| NOTCH   | SPL(dB) | LINE |
|---------|---------|------|
| High    | 32      | ○—○  |
| Medium1 | 31      | ●—●  |
| Medium2 | 29      | △—△  |
| Low     | 28      | ▲—▲  |



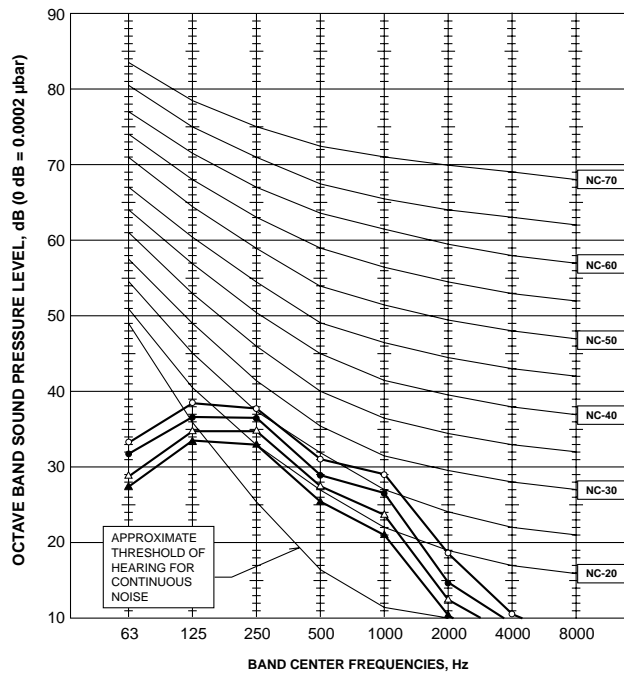
### PLA-RP60BA

| NOTCH   | SPL(dB) | LINE |
|---------|---------|------|
| High    | 32      | ○—○  |
| Medium1 | 31      | ●—●  |
| Medium2 | 29      | △—△  |
| Low     | 28      | ▲—▲  |



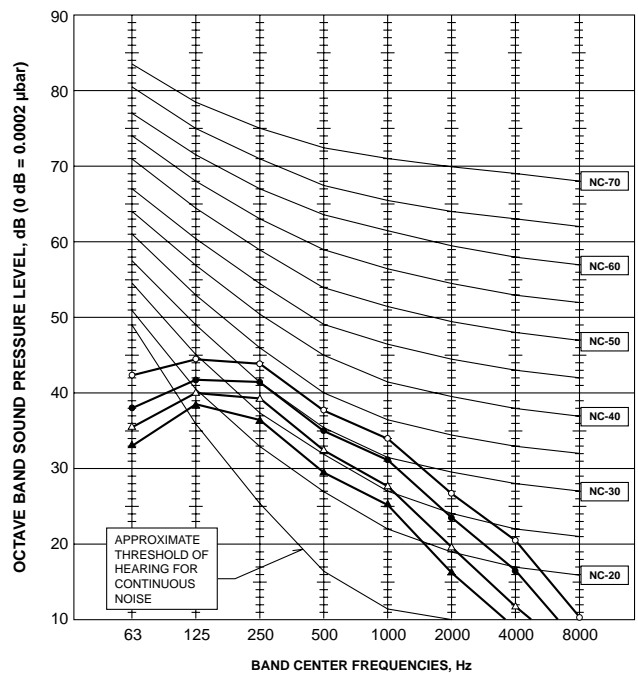
### PLA-RP71BA PLA-RP71BA2

| NOTCH   | SPL(dB) | LINE |
|---------|---------|------|
| High    | 34      | ○—○  |
| Medium1 | 32      | ●—●  |
| Medium2 | 30      | △—△  |
| Low     | 28      | ▲—▲  |



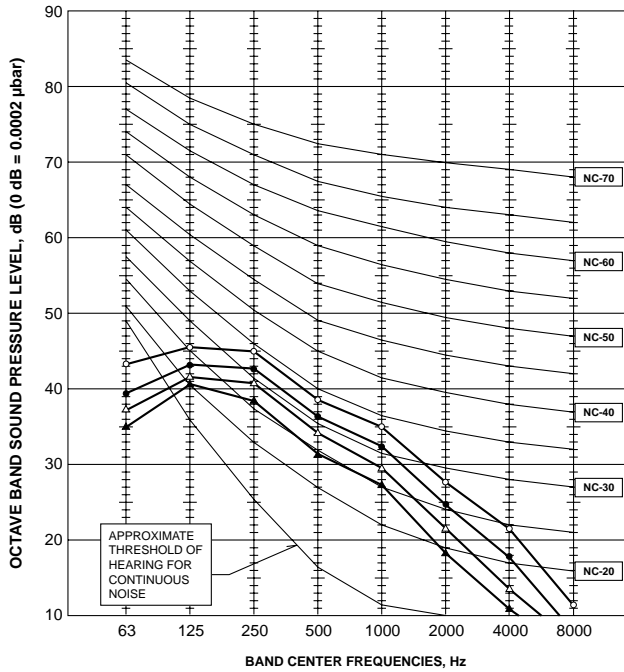
### PLA-RP100BA PLA-RP100BA3

| NOTCH   | SPL(dB) | LINE |
|---------|---------|------|
| High    | 40      | ○—○  |
| Medium1 | 37      | ●—●  |
| Medium2 | 34      | △—△  |
| Low     | 32      | ▲—▲  |



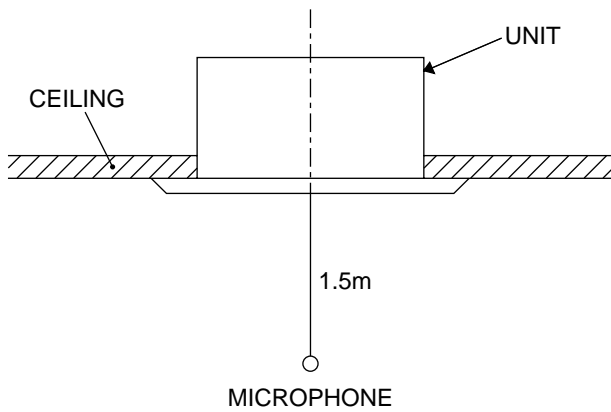
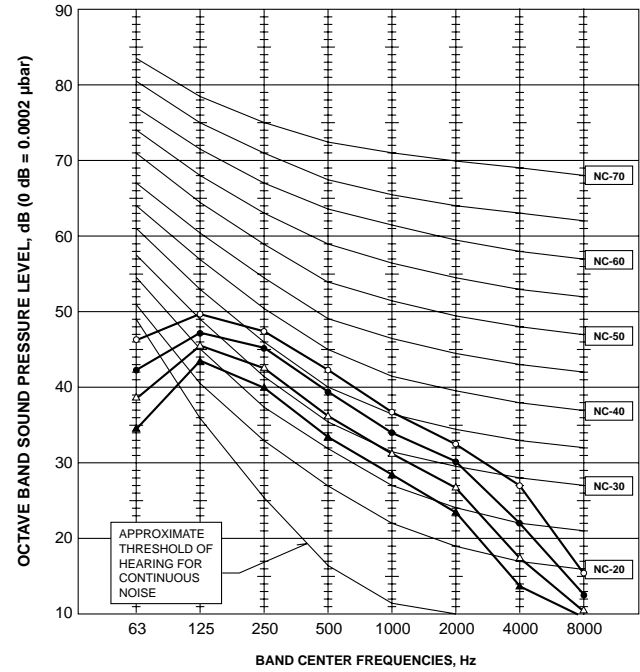
**PLA-RP125BA  
PLA-RP125BA2**

| NOTCH   | SPL(dB) | LINE |
|---------|---------|------|
| High    | 41      | ○—○  |
| Medium1 | 39      | ●—●  |
| Medium2 | 36      | △—△  |
| Low     | 34      | ▲—▲  |



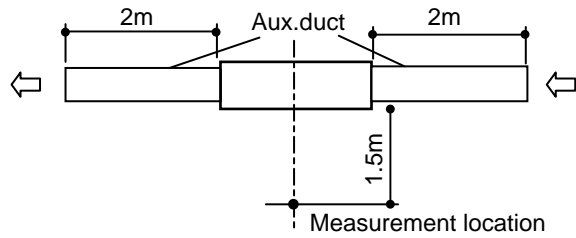
**PLA-RP140BA2**

| NOTCH   | SPL(dB) | LINE |
|---------|---------|------|
| High    | 44      | ○—○  |
| Medium1 | 42      | ●—●  |
| Medium2 | 39      | △—△  |
| Low     | 36      | ▲—▲  |



## PEAD-RP-JA(L)

Ceiling concealed

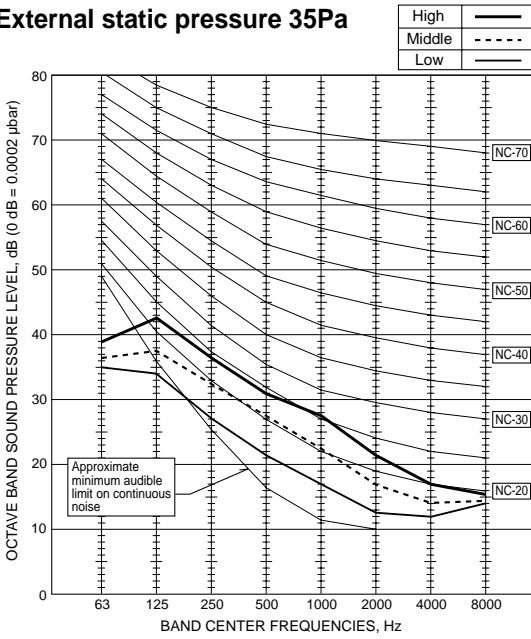


Noise level at anechoic room (Low-Middle-High) Unit: dB(A)

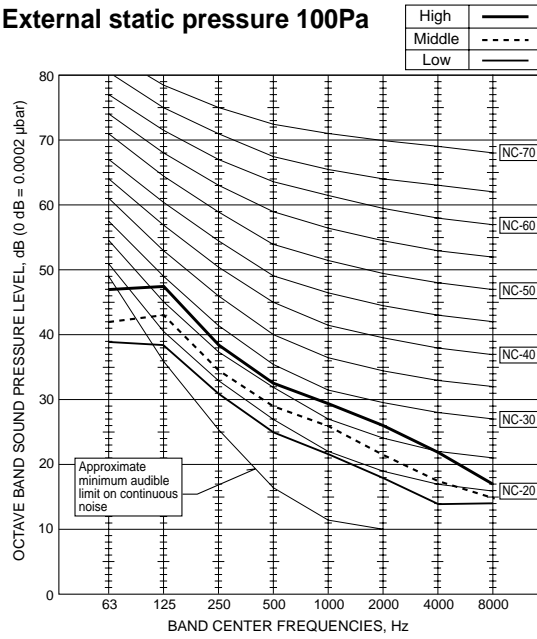
| Model           | External static pressure |          |          |          |          |
|-----------------|--------------------------|----------|----------|----------|----------|
|                 | 35Pa                     | 50Pa     | 70Pa     | 100Pa    | 150Pa    |
| PEAD-RP50JA(L)  | 25-30-34                 | 26-31-35 | 28-32-36 | 29-33-37 | 31-35-39 |
| PEAD-RP60JA(L)  | 25-28-32                 | 25-29-33 | 26-30-34 | 27-31-35 | 29-34-38 |
| PEAD-RP71JA(L)  | 25-29-34                 | 26-30-34 | 27-31-35 | 28-32-36 | 30-35-39 |
| PEAD-RP100JA(L) | 28-33-38                 | 29-34-38 | 30-35-39 | 31-36-40 | 34-40-43 |
| PEAD-RP125JA(L) | 31-36-40                 | 33-36-40 | 33-37-41 | 34-39-42 | 37-41-45 |
| PEAD-RP140JA(L) | 33-37-43                 | 34-38-43 | 34-39-44 | 36-40-45 | 38-42-46 |

# PEAD-RP50JA(L)

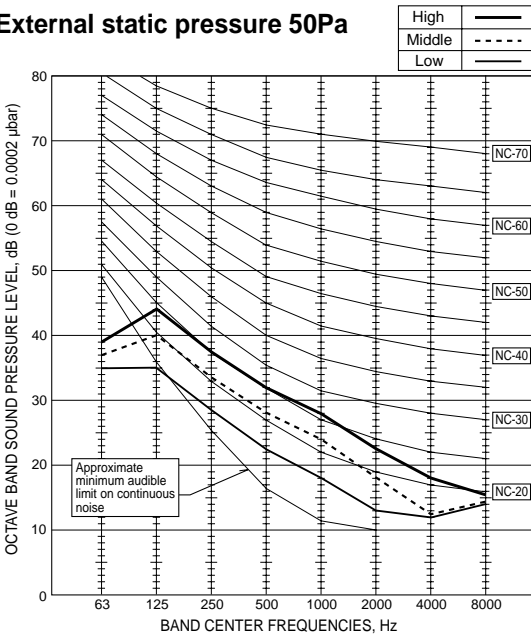
External static pressure 35Pa



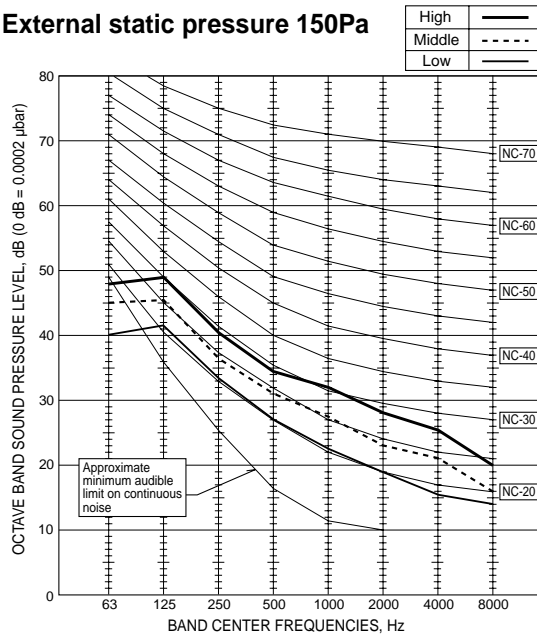
External static pressure 100Pa



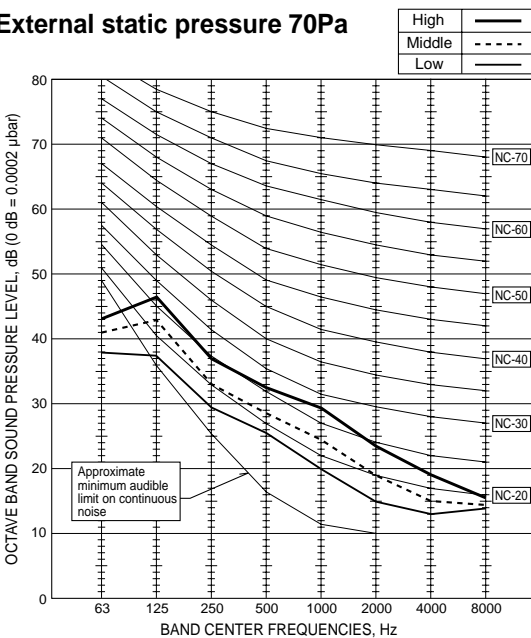
External static pressure 50Pa



External static pressure 150Pa

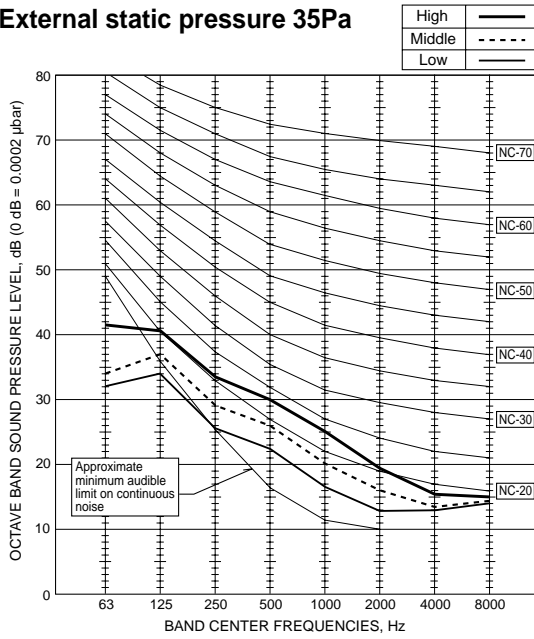


External static pressure 70Pa

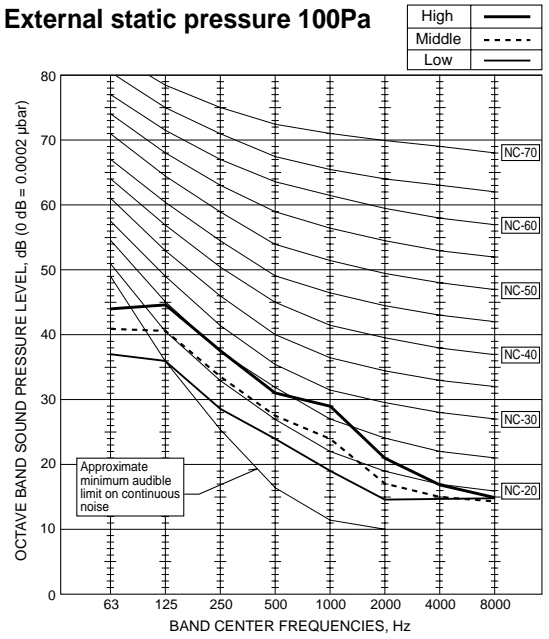


# PEAD-RP60JA(L)

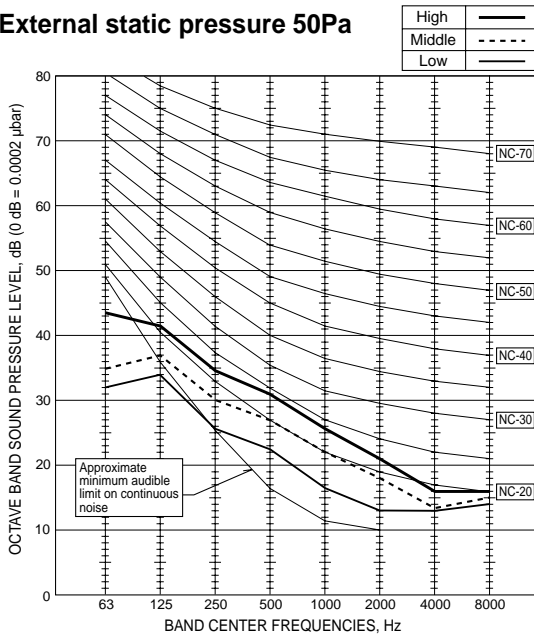
External static pressure 35Pa



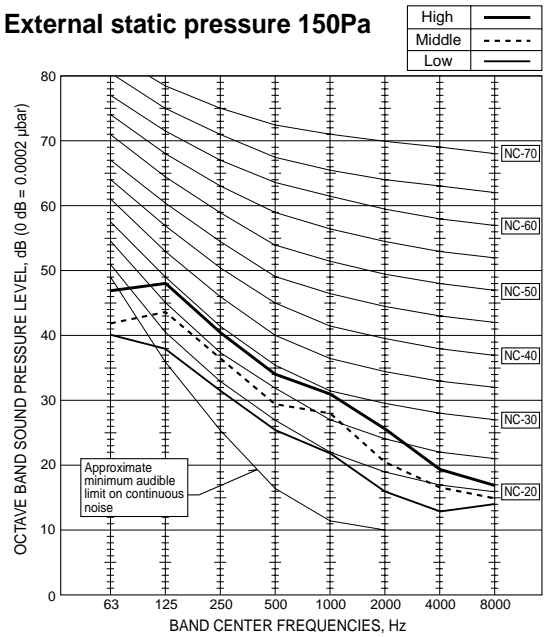
External static pressure 100Pa



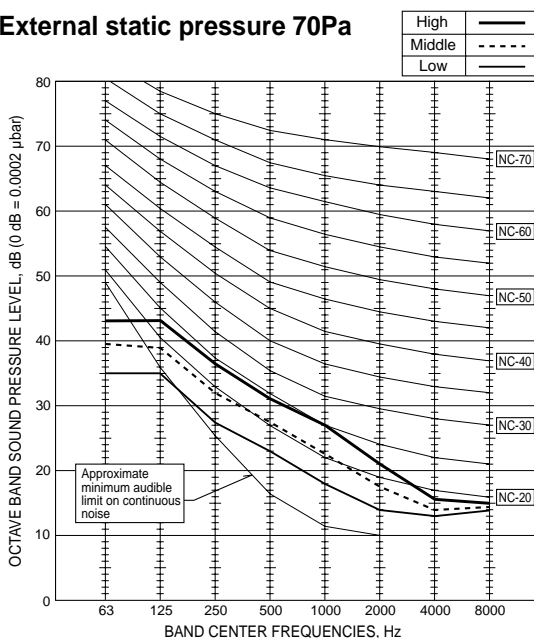
External static pressure 50Pa



External static pressure 150Pa

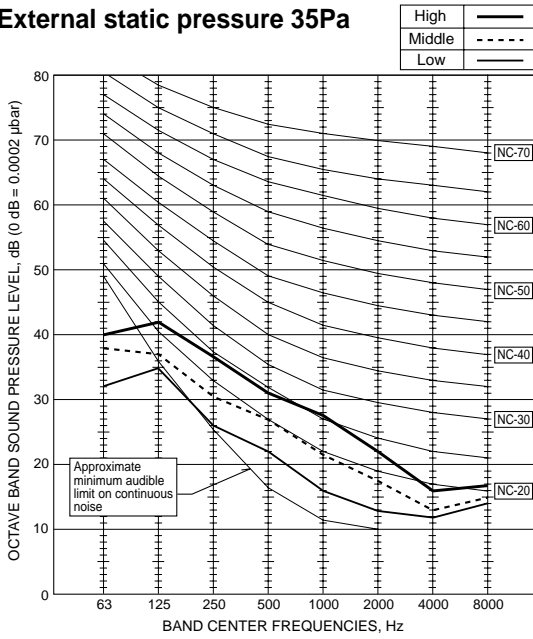


External static pressure 70Pa

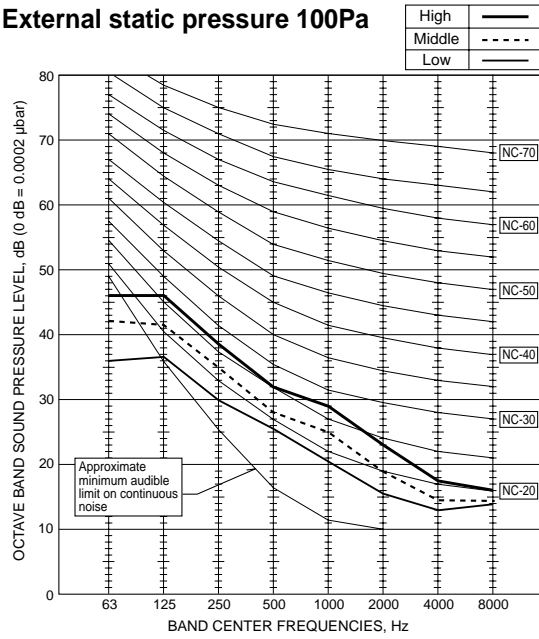


# PEAD-RP71JA(L)

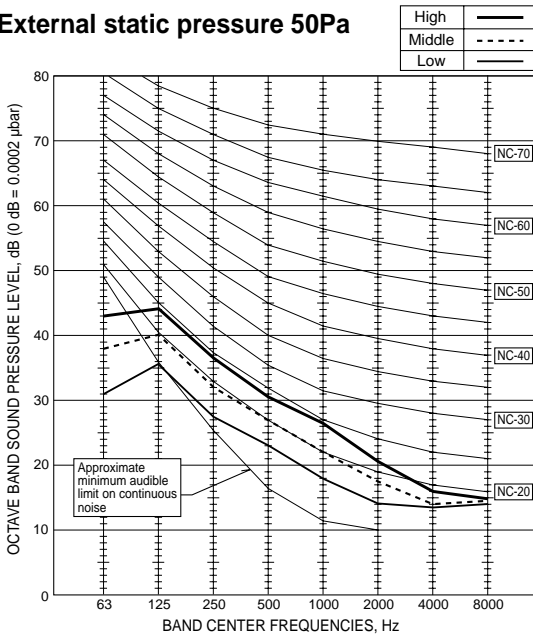
External static pressure 35Pa



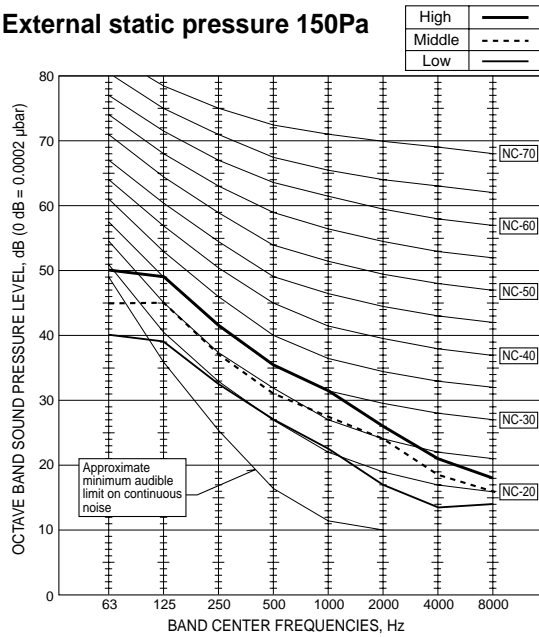
External static pressure 100Pa



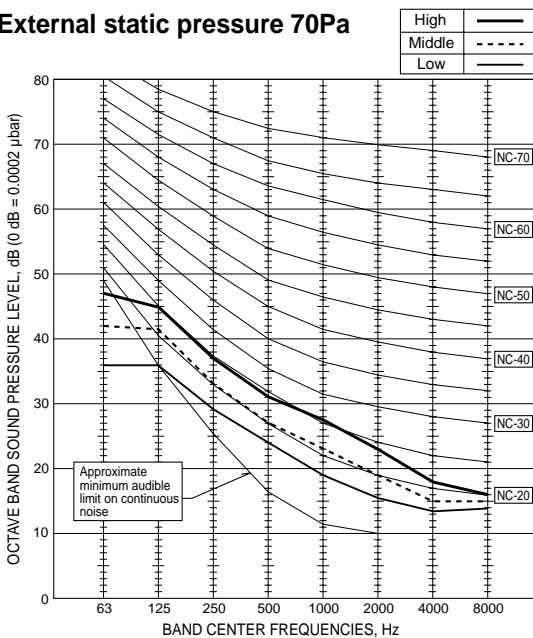
External static pressure 50Pa



External static pressure 150Pa

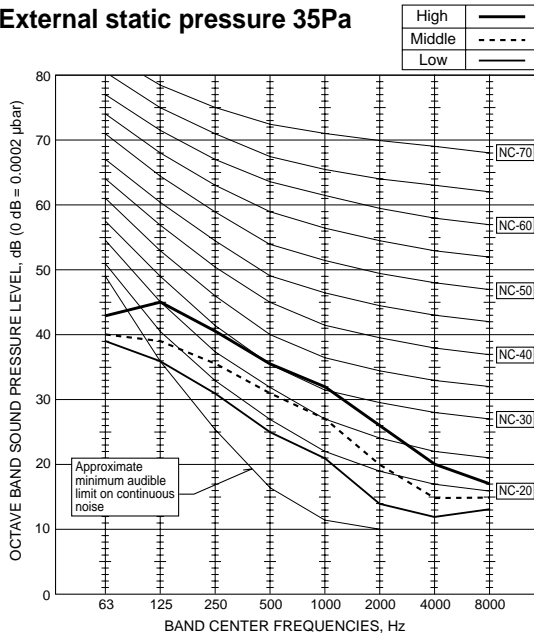


External static pressure 70Pa

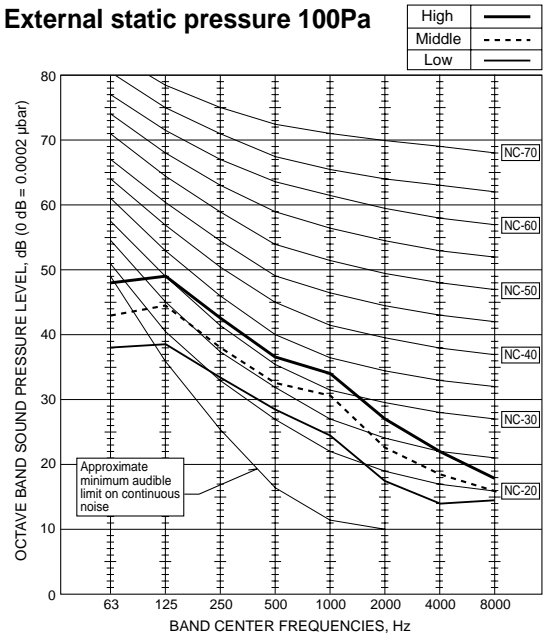


# PEAD-RP100JA(L)

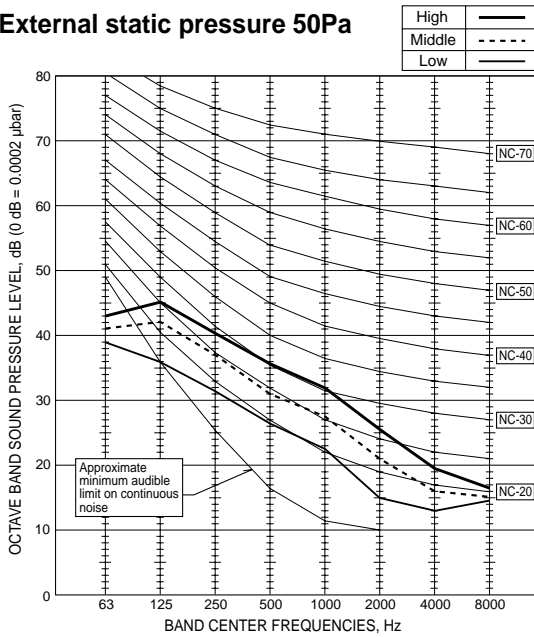
External static pressure 35Pa



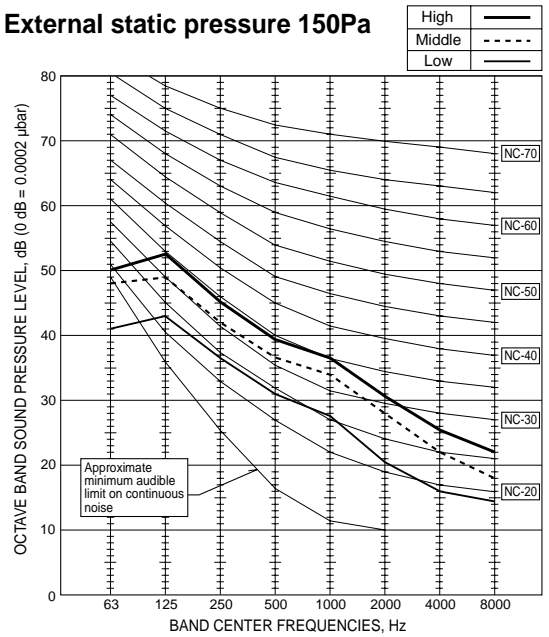
External static pressure 100Pa



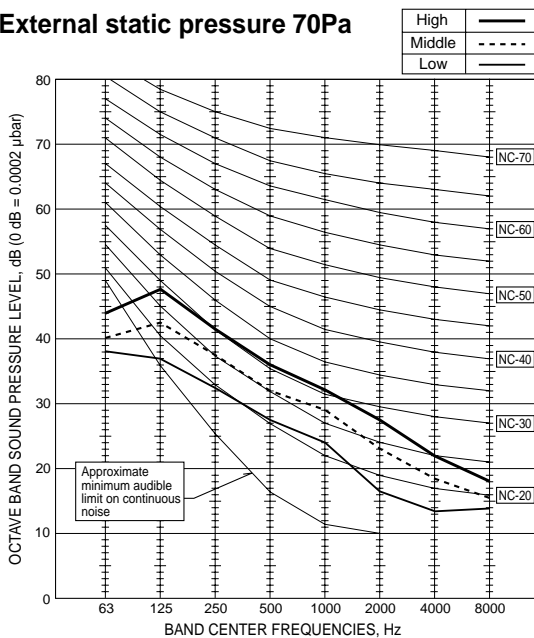
External static pressure 50Pa



External static pressure 150Pa

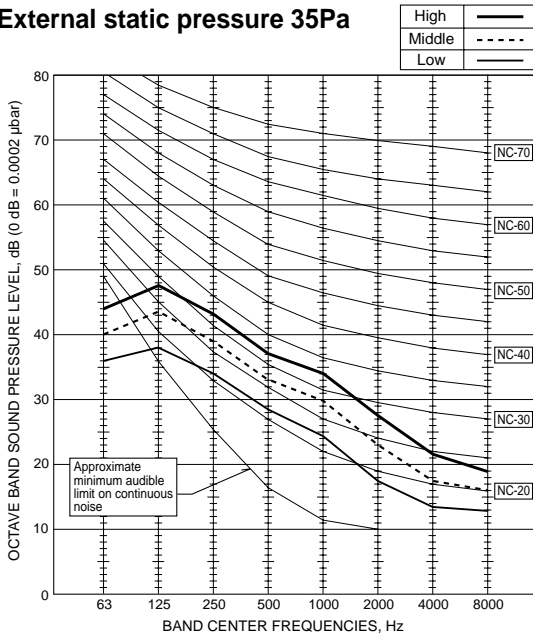


External static pressure 70Pa

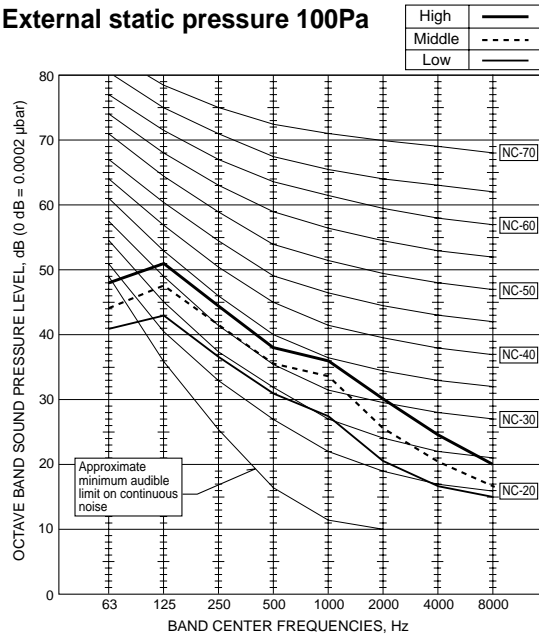


# PEAD-RP125JA(L)

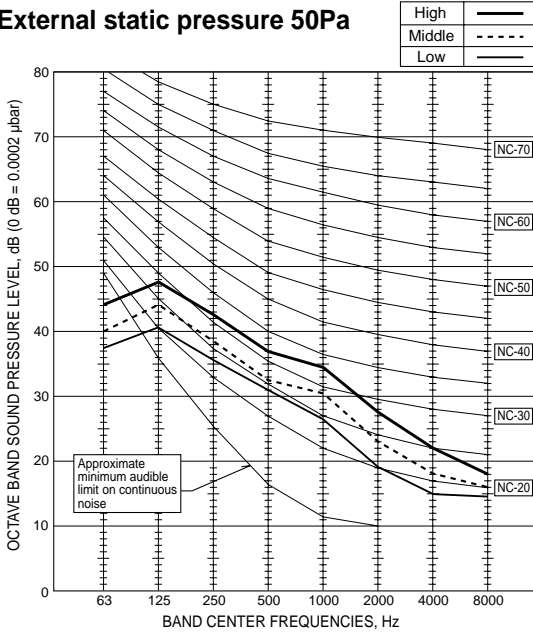
External static pressure 35Pa



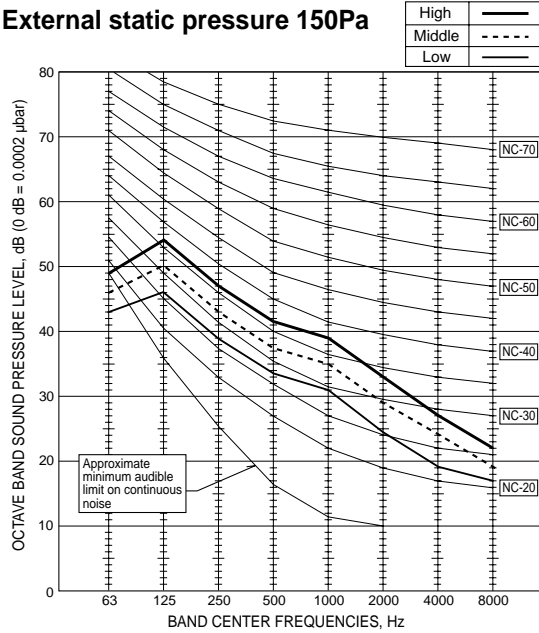
External static pressure 100Pa



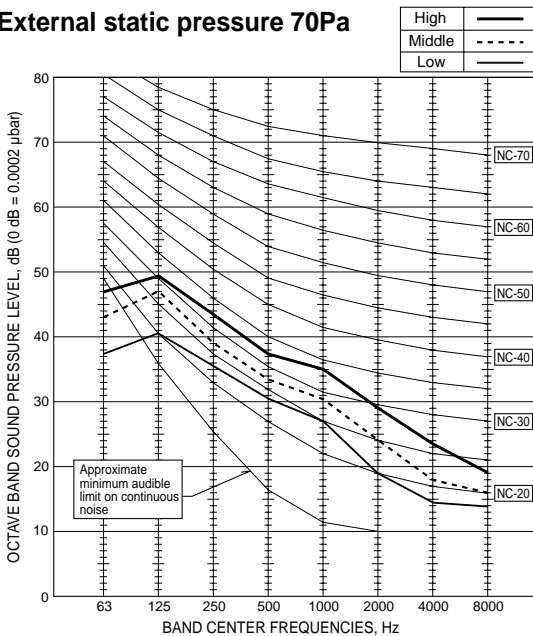
External static pressure 50Pa



External static pressure 150Pa



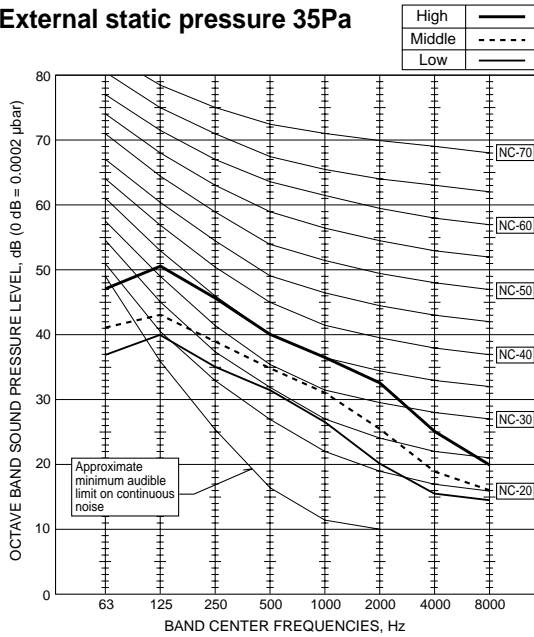
External static pressure 70Pa



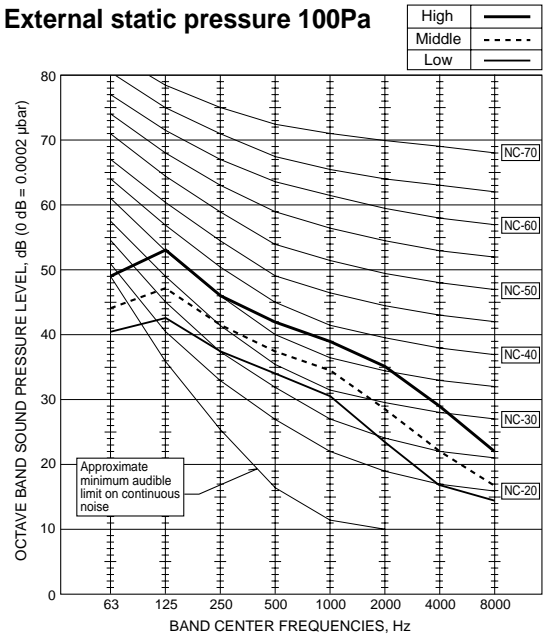


# PEAD-RP140JA(L)

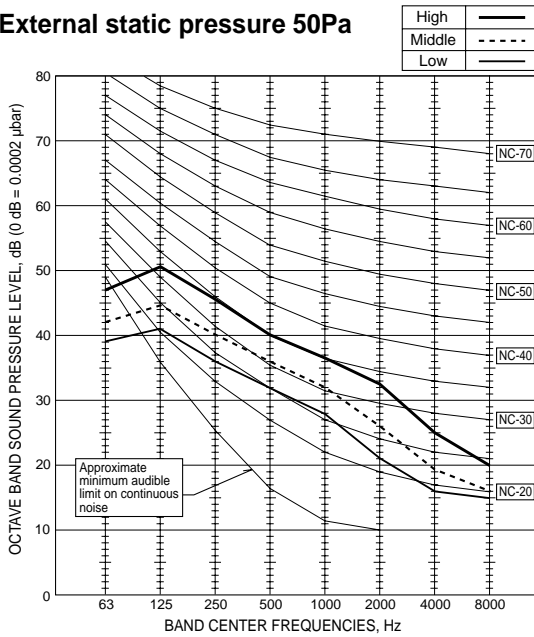
External static pressure 35Pa



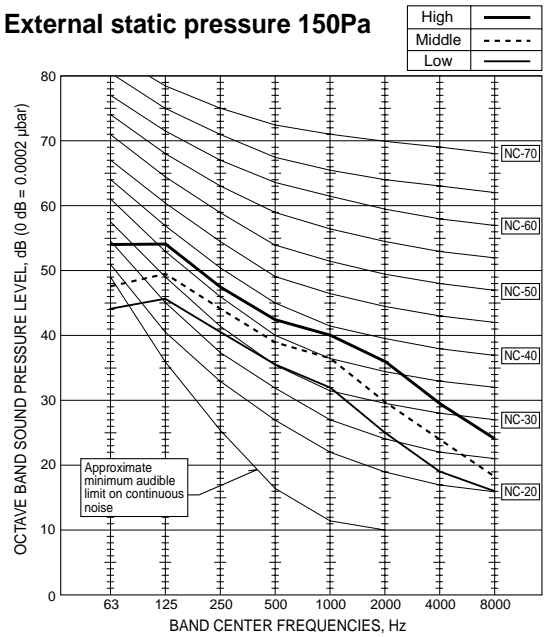
External static pressure 100Pa



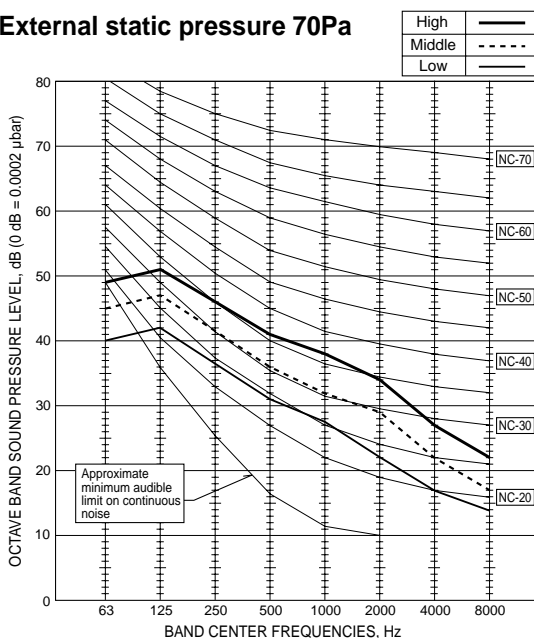
External static pressure 50Pa



External static pressure 150Pa



External static pressure 70Pa



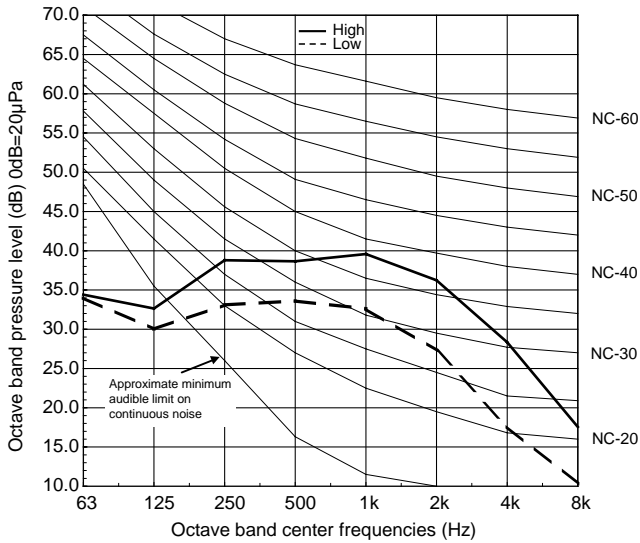
# SOUND LEVELS

Low-Middle-High

| Model           | Sound level dB (A) |
|-----------------|--------------------|
| PKA-RP50HAL     | 36 - 40 - 43       |
| PKA-RP60, 71KAL | 39 - 42 - 45       |
| PKA-RP100KAL    | 41 - 45 - 49       |

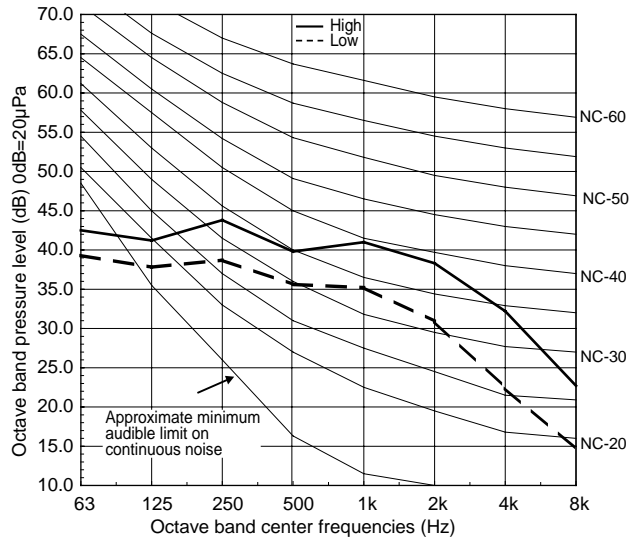
## PKA-RP50HAL

External static pressure : 0Pa  
 Power source : 220, 230, 240V, 50Hz



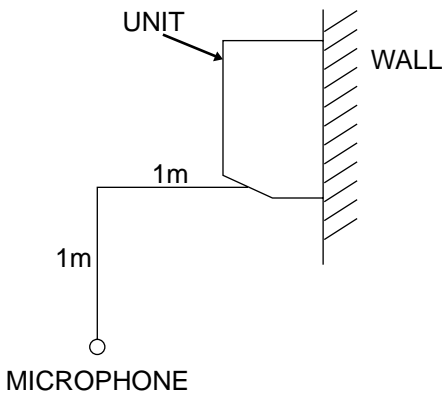
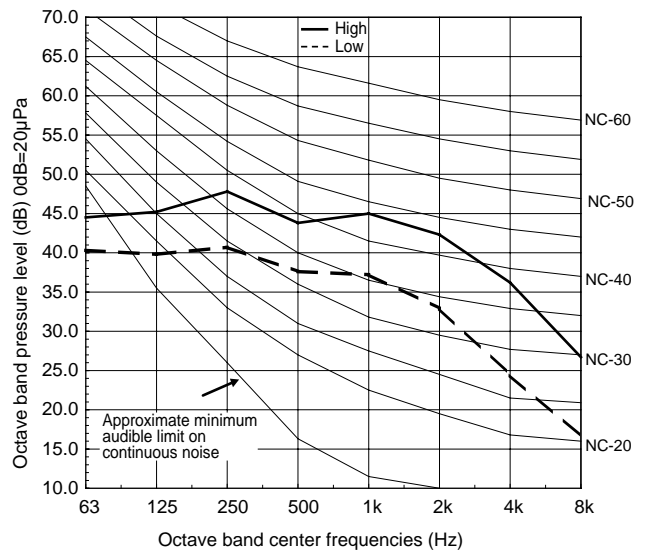
## PKA-RP60KAL PKA-RP71KAL

External static pressure : 0Pa  
 Power source : 220, 230, 240V, 50Hz



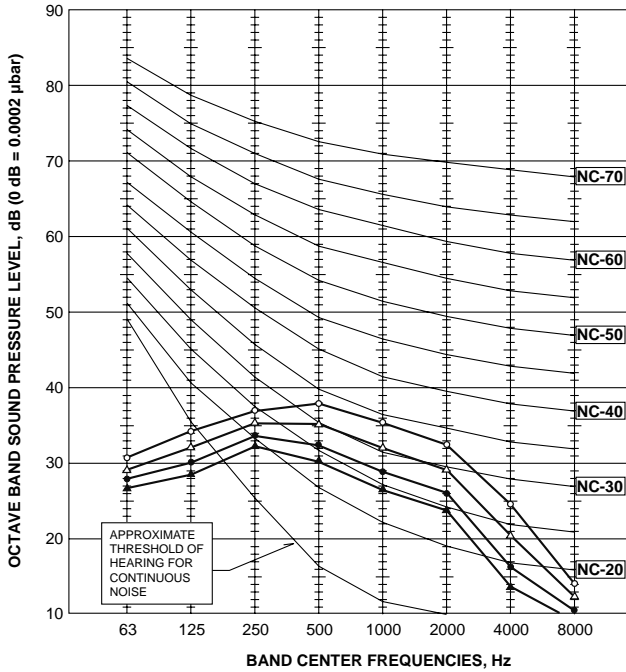
## PKA-RP100KAL

External static pressure : 0Pa  
 Power source : 220, 230, 240V, 50Hz



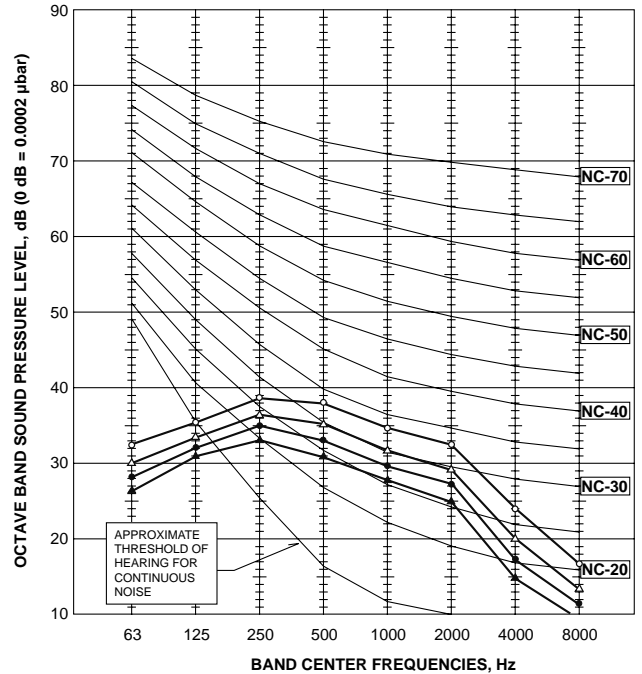
### PCA-RP50KA

| NOTCH   | SPL(dB) | LINE |
|---------|---------|------|
| High    | 40      | ○—○  |
| Medium1 | 37      | △—△  |
| Medium2 | 34      | ●—●  |
| Low     | 32      | ▲—▲  |



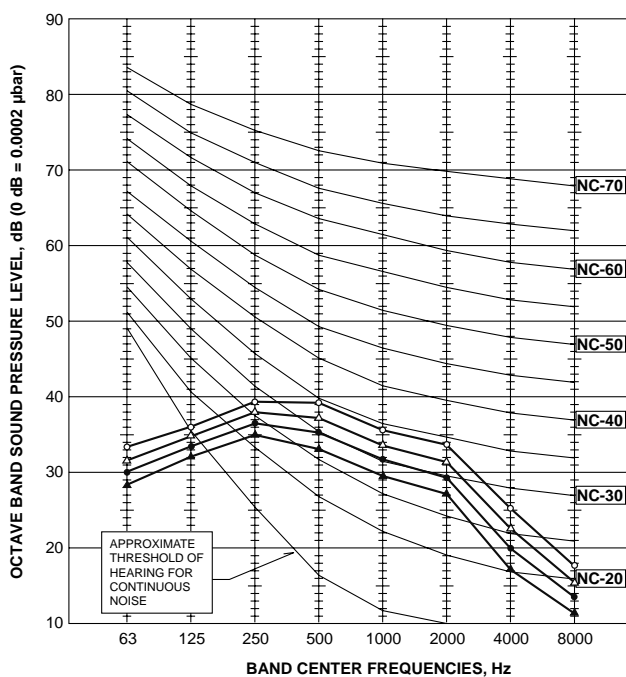
### PCA-RP60KA

| NOTCH   | SPL(dB) | LINE |
|---------|---------|------|
| High    | 40      | ○—○  |
| Medium1 | 37      | △—△  |
| Medium2 | 35      | ●—●  |
| Low     | 33      | ▲—▲  |



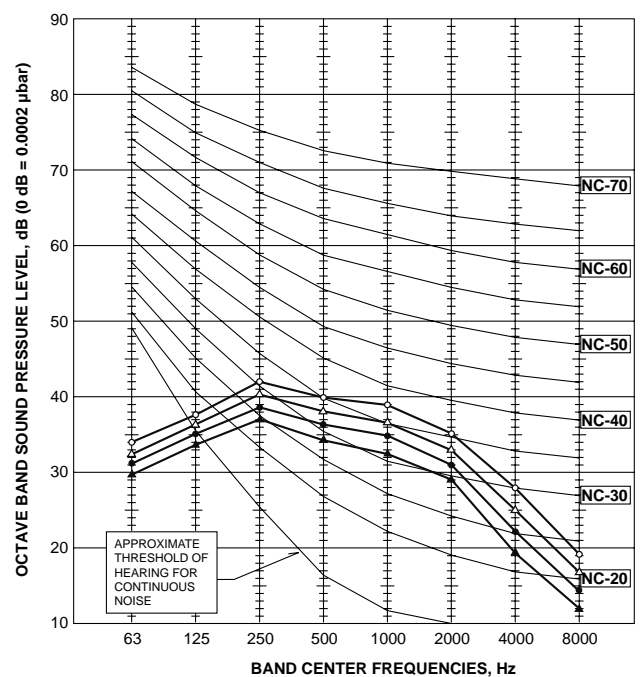
### PCA-RP71KA

| NOTCH   | SPL(dB) | LINE |
|---------|---------|------|
| High    | 41      | ○—○  |
| Medium1 | 39      | △—△  |
| Medium2 | 37      | ●—●  |
| Low     | 35      | ▲—▲  |



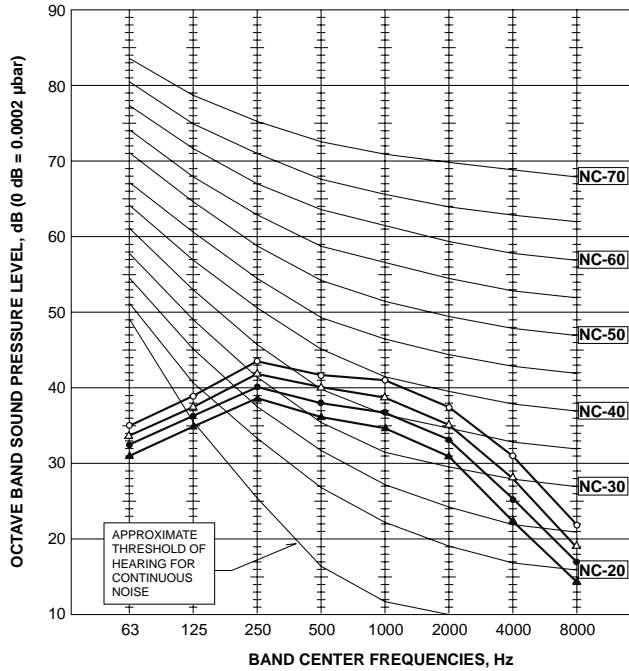
### PCA-RP100KA

| NOTCH   | SPL(dB) | LINE |
|---------|---------|------|
| High    | 43      | ○—○  |
| Medium1 | 41      | △—△  |
| Medium2 | 39      | ●—●  |
| Low     | 37      | ▲—▲  |



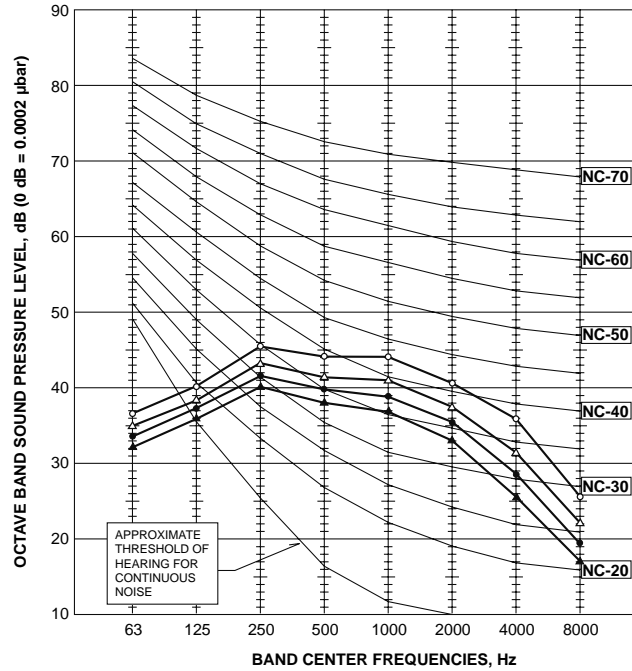
### PCA-RP125KA

| NOTCH   | SPL(dB) | LINE |
|---------|---------|------|
| High    | 45      | ○—○  |
| Medium1 | 43      | △—△  |
| Medium2 | 41      | ●—●  |
| Low     | 39      | ▲—▲  |



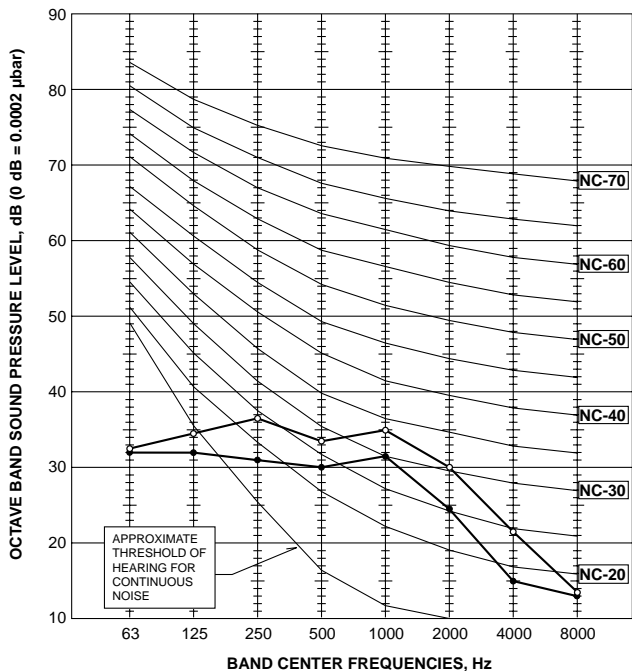
### PCA-RP140KA

| NOTCH   | SPL(dB) | LINE |
|---------|---------|------|
| High    | 48      | ○—○  |
| Medium1 | 45      | △—△  |
| Medium2 | 43      | ●—●  |
| Low     | 41      | ▲—▲  |



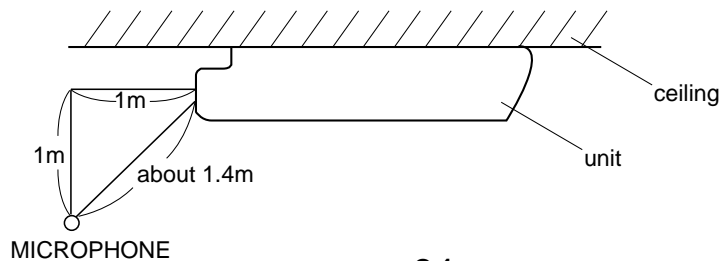
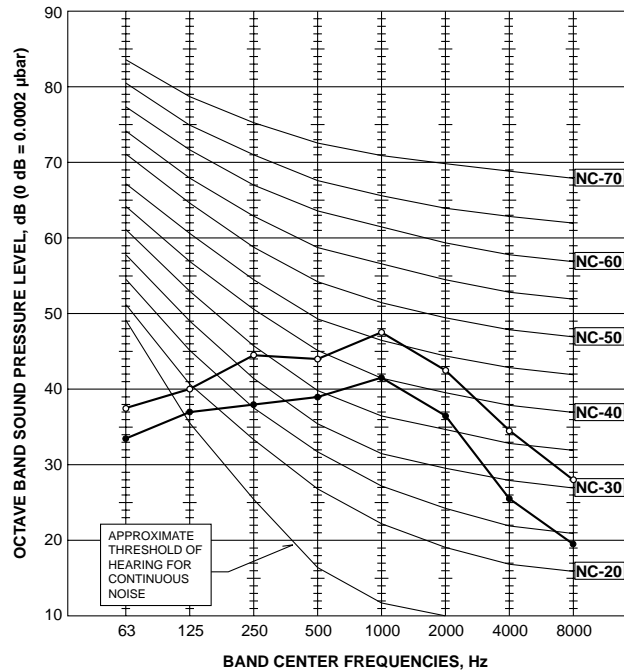
### PCA-RP71HA

| NOTCH | SPL(dB) | LINE |
|-------|---------|------|
| High  | 38      | ○—○  |
| Low   | 34      | ●—●  |



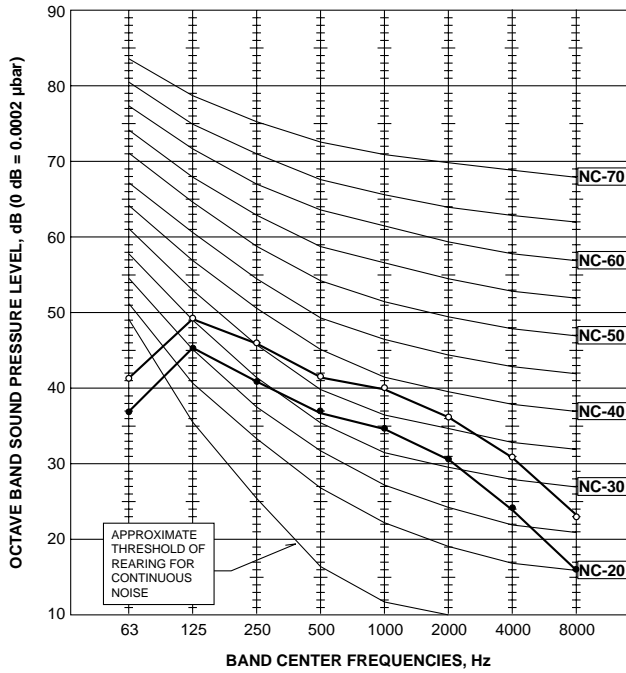
### PCA-RP125HA

| NOTCH | SPL(dB) | LINE |
|-------|---------|------|
| High  | 50      | ○—○  |
| Low   | 44      | ●—●  |



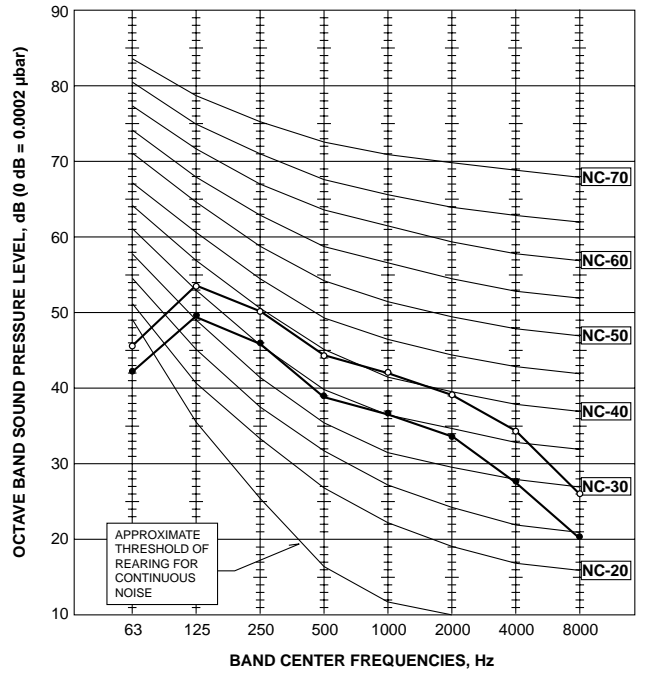
### PSA-RP71GA

| NOTCH | SPL(dB) | LINE |
|-------|---------|------|
| High  | 45      | ○—○  |
| Low   | 40      | ●—●  |



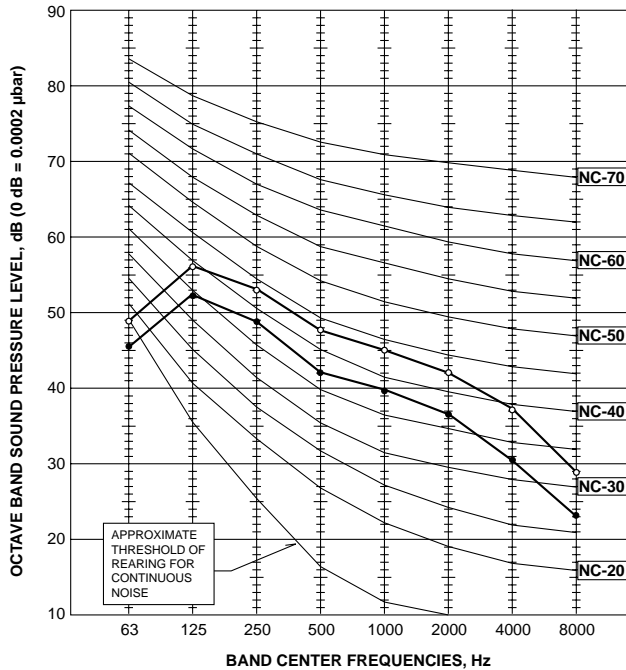
### PSA-RP100GA

| NOTCH | SPL(dB) | LINE |
|-------|---------|------|
| High  | 49      | ○—○  |
| Low   | 44      | ●—●  |



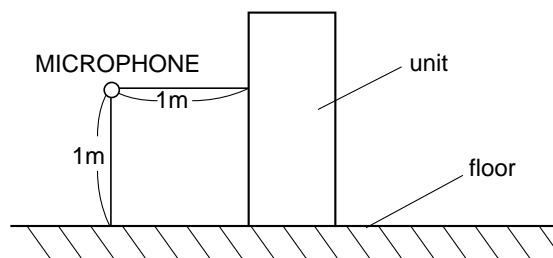
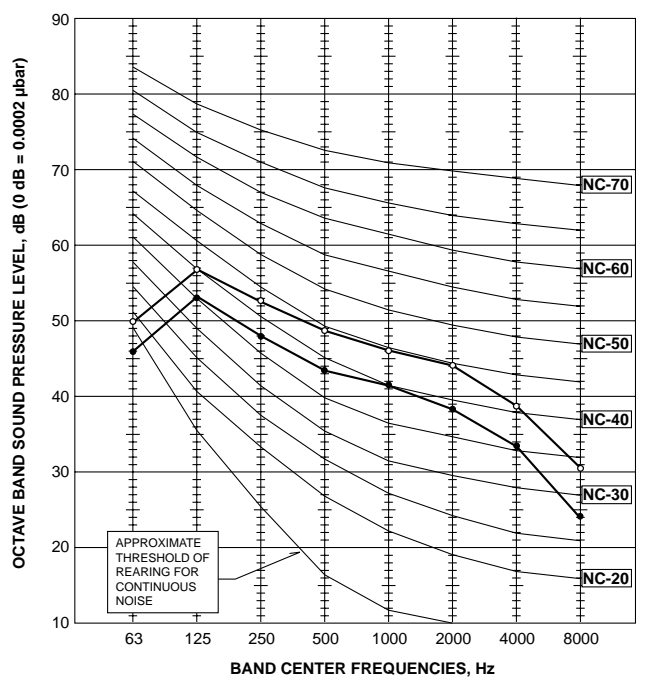
### PSA-RP125GA

| NOTCH | SPL(dB) | LINE |
|-------|---------|------|
| High  | 51      | ○—○  |
| Low   | 46      | ●—●  |

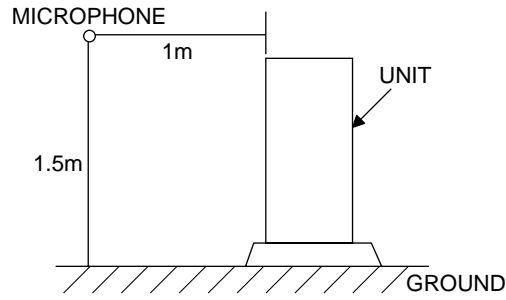


### PSA-RP140GA

| NOTCH | SPL(dB) | LINE |
|-------|---------|------|
| High  | 52      | ○—○  |
| Low   | 47      | ●—●  |

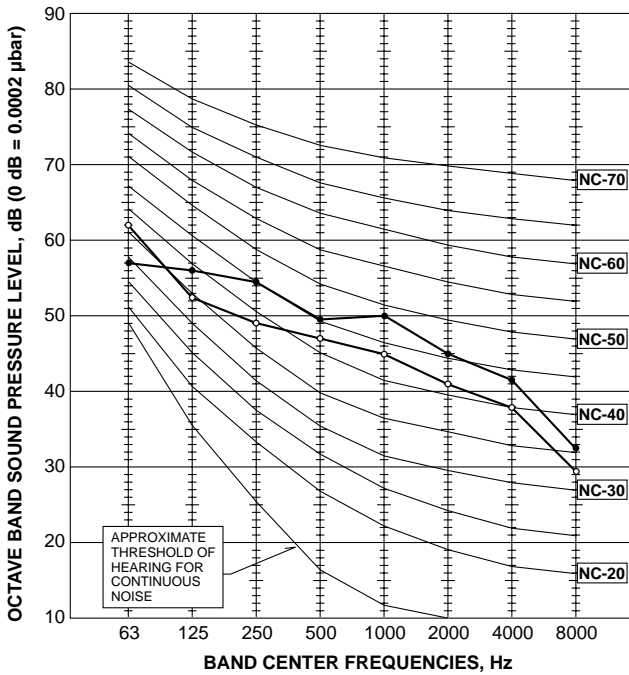


## 10-2. OUTDOOR UNIT



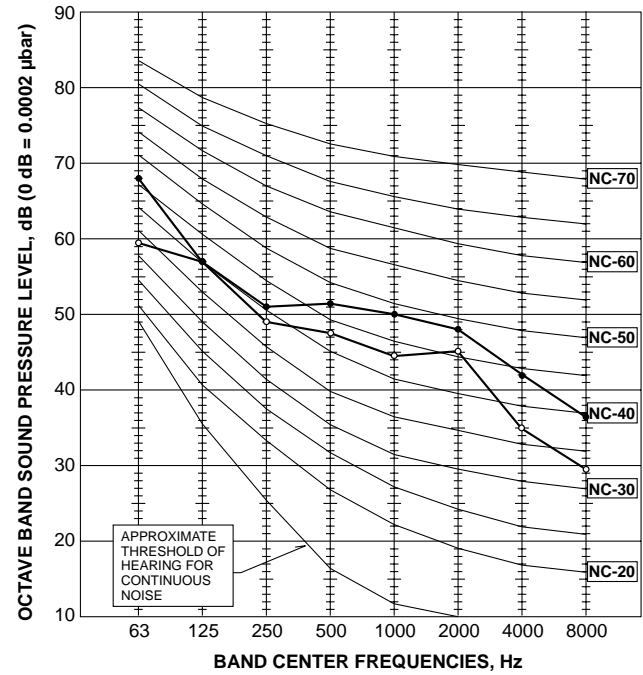
### PUHZ-P100VHA3 PUHZ-P100YHA

| MODE    | SPL(dB) | LINE |
|---------|---------|------|
| COOLING | 50      | ○—○  |
| HEATING | 54      | ●—●  |



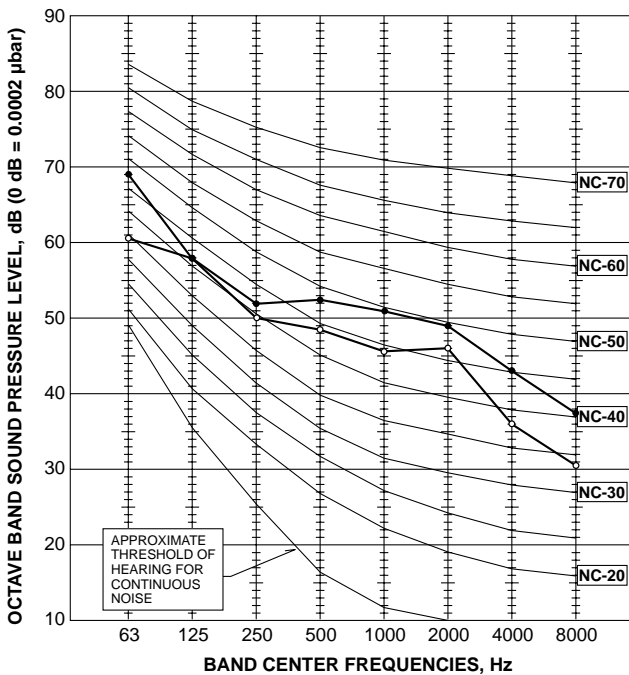
### PUHZ-P125VHA3 PUHZ-P125YHA

| MODE    | SPL(dB) | LINE |
|---------|---------|------|
| COOLING | 51      | ○—○  |
| HEATING | 55      | ●—●  |



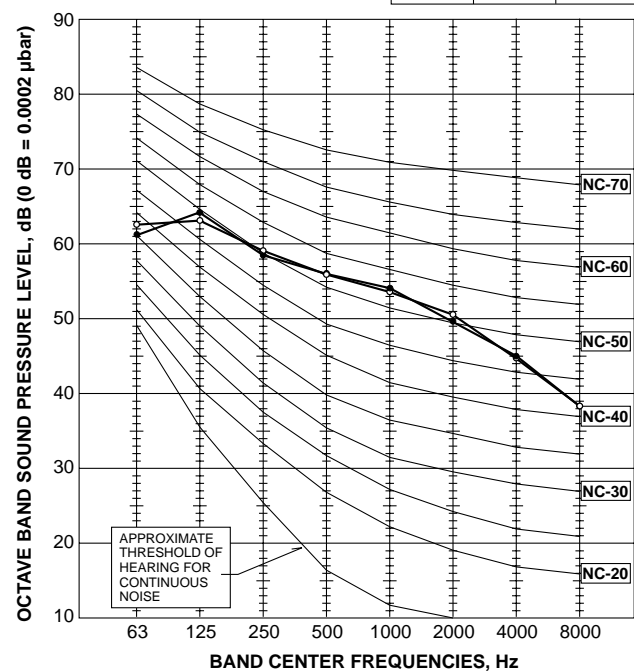
### PUHZ-P140VHA3 PUHZ-P140YHA

| MODE    | SPL(dB) | LINE |
|---------|---------|------|
| COOLING | 52      | ○—○  |
| HEATING | 56      | ●—●  |



### PUHZ-P200YHA3 PUHZ-P250YHA3

| MODE    | SPL(dB) | LINE |
|---------|---------|------|
| COOLING | 59      | ○—○  |
| HEATING | 59      | ●—●  |



## 11-1. INDOOR UNIT

| Part Name  |              | Model Name          | Applicable model   |            |
|--|--------------|---------------------|--|------------|
| Remote sensor  |              | PAC-SE41TS-E        | All models   |            |
| Remote operation adapter                                       |              | PAC-SF40RM-E        | All models except PEA-RP400/500GA and wireless remote controller use model |            |
| Multiple remote controller adapter                             |              | PAC-SA88HA-E (1pc.) | All models except PEA-RP400/500GA  |            |
|  |              | PAC-725AD (10pcs.)  |  |            |
| Remote on/off adapter  |              | PAC-SE55RA-E        |  |            |
| Power supply terminal kit                                      | L/N/Earth    | PAC-SG96HR-E        | PCA-RP-KA, PSA-RP-GA   |            |
|  |              | PAC-SG94HR-E        | PKA-RP-HAL/KAL   |            |
|  |              | PAC-SH52HR-E        | PLA-RP-BA/BA2/BA3  |            |
|  | L/N          | PAC-SG97HR-E        | PCA-RP-HA<br>PEAD-RP-JA(L)   |            |
| Decoration panel   |              | PLP-6BA             | PLA-RP-BA/BA2/BA3  |            |
| Decoration panel with Wireless remote controller               |              | PLP-6BALM           |  |            |
| Decoration panel with Wired remote controller                  |              | PLP-6BAMD           |  |            |
| Decoration panel with i-see sensor                             |              | PLP-6BAE            |  |            |
| Decoration panel with i-see sensor, Wireless remote controller |              | PLP-6BALME          |  |            |
| Decoration panel with i-see sensor, Wired remote controller    |              | PLP-6BAMDE          |  |            |
| Automatic filter elevation panel                               |              | PLP-6BAJ            |  |            |
| i-see sensor corner panel                                      |              | PAC-SA1ME-E         |  |            |
| Wireless signal receiver                                       |              | PAR-SA9FA-E         |  |            |
| Space panel  |              | PAC-SH48AS-E        |  |            |
| Air outlet shutter plate                                       |              | PAC-SH51SP-E        |  |            |
| Multi-function casement  |              | PAC-SH53TM-E        |  |            |
| Flange for fresh air intake                                    |              | PAC-SH65OF-E        |  |            |
| High-efficiency filter element<br>(PAC-SH53TM-E is needed.)    |              | PAC-SH59KF-E        |  |            |
| Wireless remote controller kit                                 |              | PAR-SL94B-E         |  | PCA-RP-KA  |
| Drain pump   | PAC-SH83DM-E |                     |  | PCA-RP50KA |
|  | PAC-SH85DM-E |                     | PCA-RP60KA   |            |
|  | PAC-SH84DM-E |                     | PCA-RP71,100, 125, 140KA   |            |
| High-efficiency filter   | PAC-SH88KF-E |                     | PCA-RP50KA   |            |
|  | PAC-SH89KF-E |                     | PCA-RP60, 71KA   |            |
|  | PAC-SH90KF-E |                     | PCA-RP100, 125, 140KA  |            |
| Duct flange for fresh air                                      |              | PAC-SF28OF-E        | PCA-RP-HA  |            |
| Oil mist filter element (12pcs)                                |              | PAC-SG38KF-E        |  |            |
| Decoration cover<br>(Front + Suspending bracket cover)         |              | PAC-SF81KC-E        | PCA-RP71HA   |            |
|  |              | PAC-SF82KC-E        | PCA-RP125HA  |            |
| Wired remote controller<br>(with terminal bed)                 |              | PAR-21MAAT-E        |  |            |
|  |              | PKA-RP-KAL          |  |            |
| Drain pump   |              | PAC-SH75DM-E        |  |            |
|  |              | PAC-SH94DM-E        |  |            |
| Filter box   |              | PAC-KE92TB-E        |  |            |
|  |              | PAC-KE93TB-E        |  |            |
|  |              | PAC-KE94TB-E        |  |            |
|  |              | PAC-KE95TB-E        |  |            |

## 11-2. OUTDOOR UNIT

| Part Name                                   |                                | Model Name   | Applicable model |
|---|--------------------------------|--------------|------------------|
| M-NET adapter                               |                                | PAC-SF81MA-E | PUHZ-P100-250    |
| A-control service tool                      |                                | PAC-SK52ST   | PUHZ-P100-250    |
| Drain socket                                |                                | PAC-SG61DS-E | PUHZ-P100-250    |
| Air outlet guide (P125-250 need 2 pieces.)  |                                | PAC-SG59SG-E | PUHZ-P100-250    |
| Air protect guide (P125-250 need 2 pieces.) |                                | PAC-SG57AG-E | PUHZ-P100-250    |
| Drain pan                                   |                                | PAC-SG64DP-E | PUHZ-P100-250    |
| Filter dryer                                | ( $\phi$ 9.52)                 | PAC-SG82DR-E | PUHZ-P100-200    |
|   | ( $\phi$ 12.7)                 | PAC-SG85DR-E | PUHZ-P250        |
| Distribution pipe                           | (Twin)                         | MSDD-50SR-E  | PUHZ-P100-140    |
|   |                                | MSDD-50WR-E  | PUHZ-P200, 250   |
|   | (Triple)                       | MSDT-111R-E  | PUHZ-P140-250    |
|   | (Quadruple)                    | MSDF-1111R-E | PUHZ-P200, 250   |
| Joint pipe (Unit → Extension pipe)          | ( $\phi$ 15.88 → $\phi$ 19.05) | PAC-SG75RJ-E | PUHZ-P100-140    |



HEAD OFFICE : TOKYO BLDG., 2-7-3, MARUNOUCHI, CHIYODA-KU, TOKYO 100-8310, JAPAN